

KFB

Round and square balcony photovoltaic kit

- cod. FVD500017 - cod. FVD500018



DESCRIPTION

The balcony photovoltaic kit made of stainless steel and aluminium alloy is equipped with everything you need to attach a photovoltaic panel to a balcony or railing.

Can be adapted to numerous brands and models of photovoltaic panels on the market, the kit allows you to change the fixing inclination from min. 5° to max. 30°.

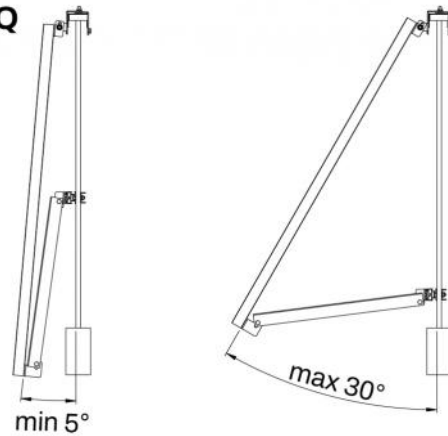
Available for fixing on round (KFB-R) or square (KFB-Q) handrails.

INCLINATION LIMITS

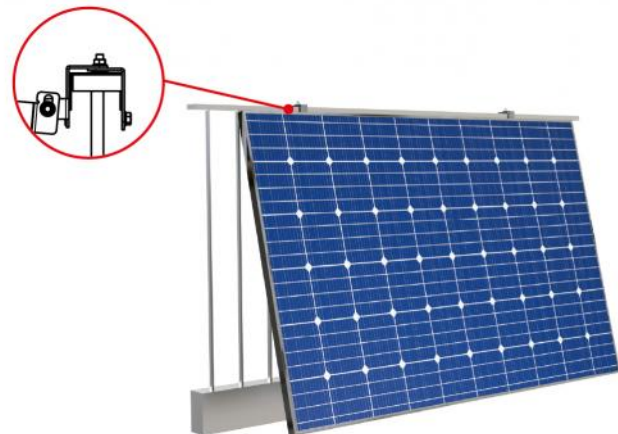
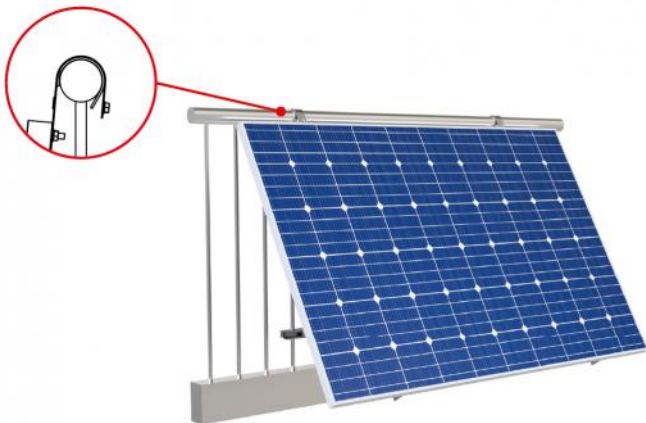
KFB-R



KFB-Q



APPLICATION EXAMPLES



ITEMS

CODE	DESCRIPTION
FVD500017	
FVD500018	

All rights relating to this publication are the exclusive property of Tecnosystemi SpA.
Tecnosystemi SpA reserves the right to make changes at any time and without notice, for technical or commercial needs.