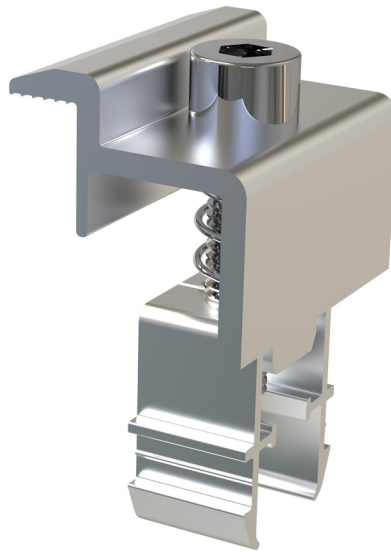


EASY CLACK

pre-assembled universal side clamp

- cod. FVD200042 - cod. FVD200042BOX - cod. FVD200044
- cod. FVD200044BOX

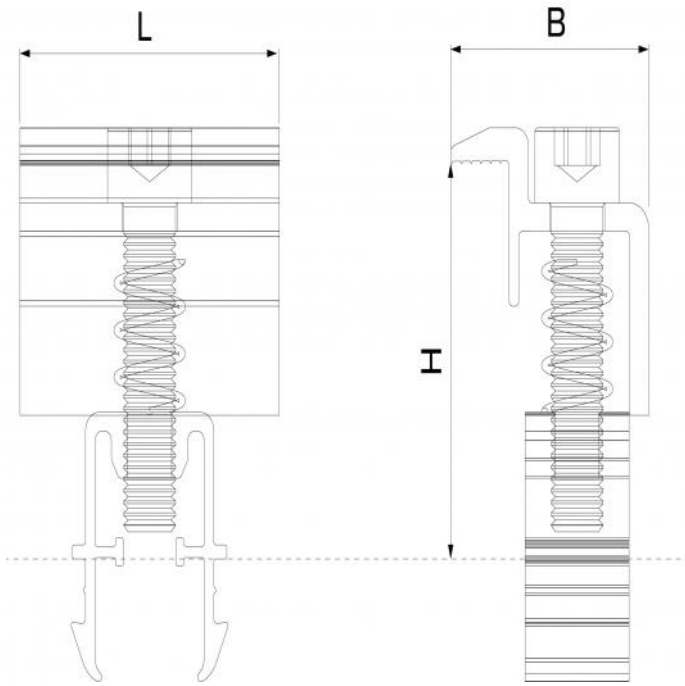


DESCRIPTION

Universal side clamp for fastening photovoltaic panels on several profiles with quick-coupling system.

TECHNICAL SPECIFICATIONS

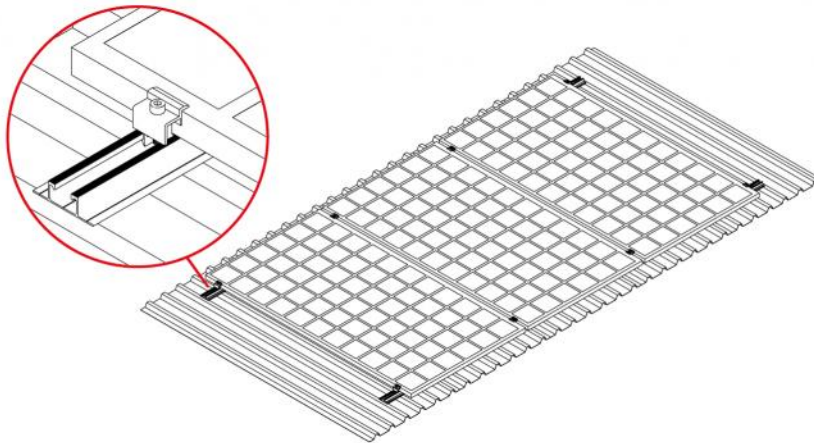
- Material: aluminium alloy 6060
- Clamp length: 40mm
- A2 stainless hardware and spring
- Supplied pre-assembled
- Sistema di aggancio rapido compatibile con i profili FVP (*per profili FVP250 compatibile SOLO con la serie -3V-, codici FVD100052 e successivi)
- Universal for panels from 27 mm to 40 mm
- Screw tightening with hex key 6
- Non-slip knurling
- Also available in black painted version
- Max. tightening torque: 8 Nm

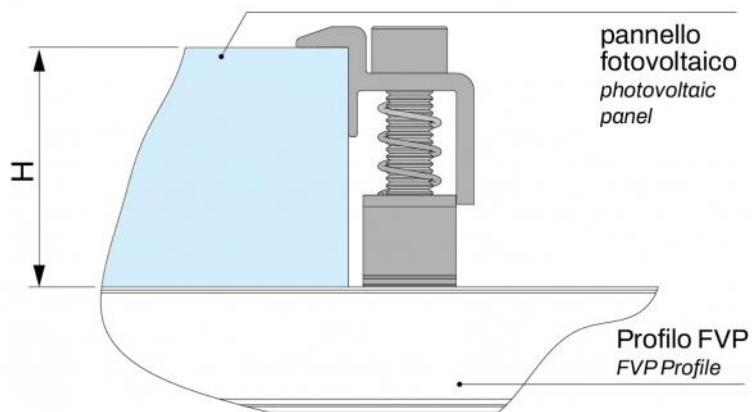
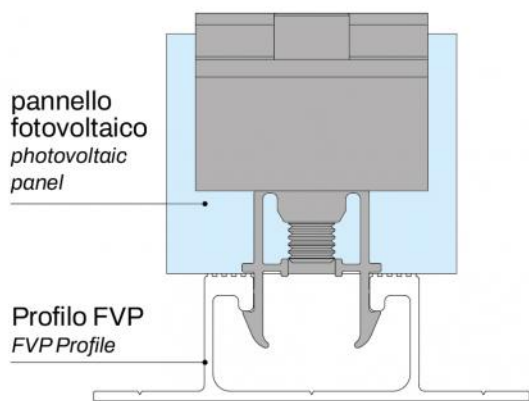


DIMENSIONS

CODE	H [mm]	L [mm]	B [mm]
FVD200042	27÷40	40	31
FVD200042BOX	27÷40	40	31
FVD200044	27÷40	40	31
FVD200044BOX	27÷40	40	31

EXAMPLE OF INSTALLATION:





ITEMS

CODE	DESCRIPTION
FVD200042	
FVD200042BOX	
FVD200044	
FVD200044BOX	

All rights relating to this publication are the exclusive property of Tecnosystemi SpA.
 Tecnosystemi SpA reserves the right to make changes at any time and without notice, for technical or commercial needs.