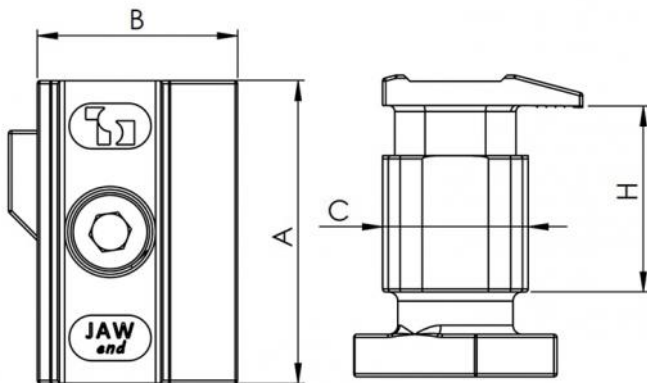
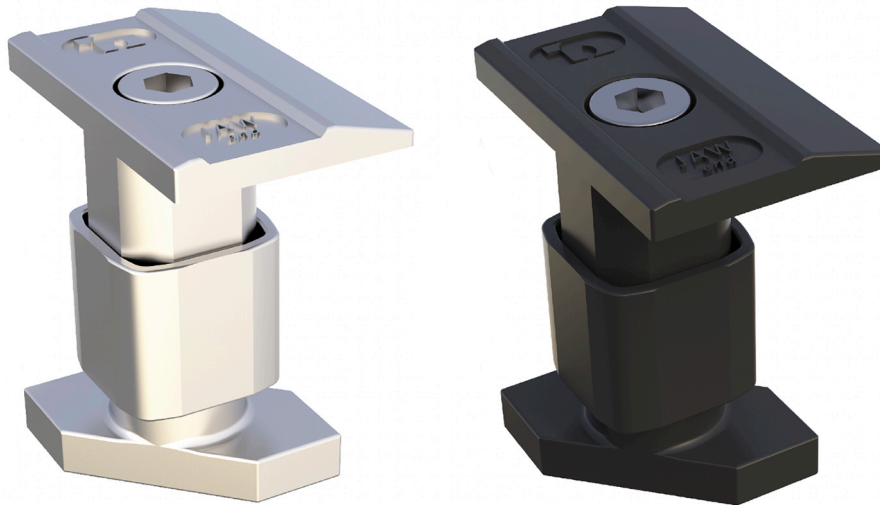


# MLU

side clamp pre-assembled universal aluminum

- cod. FVD200024 - cod. FVD200024BOX - cod. FVD200026
- cod. FVD200026BOX



## DIMENSIONS

CODE	A [mm]	B [mm]	C [mm]	H [mm]
FVD200024	50	33	24	28+38
FVD200024BOX	50	33	24	28+38
FVD200026	50	33	24	28+38
FVD200026BOX	50	33	24	28+38

## TECHNICAL SPECIFICATIONS:

- Material: aluminium
- Length: 50 mm
- For panels height: 28 - 38 mm
- M8 stainless steel screw
- Max. tightening torque: 7 Nm

## ITEMS

CODE	DESCRIPTION
FVD200024	MLU UNIVERSAL SIDE CLAMP
FVD200024BOX	MLU UNIVERSAL SIDE CLAMP - BOX of 20 pcs
FVD200026	MLU UNIVERSAL SIDE CLAMP - BLACK
FVD200026BOX	MLU UNIVERSAL SIDE CLAMP - BLACK - BOX of 20 pcs

All rights relating to this publication are the exclusive property of Tecnosystemi SpA.  
 Tecnosystemi SpA reserves the right to make changes at any time and without notice, for technical or commercial needs.