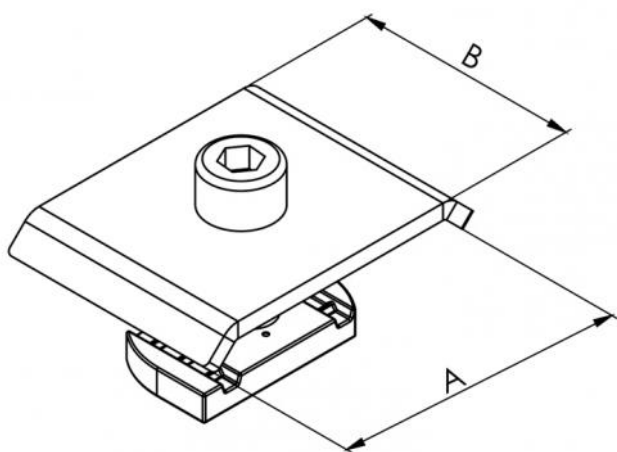
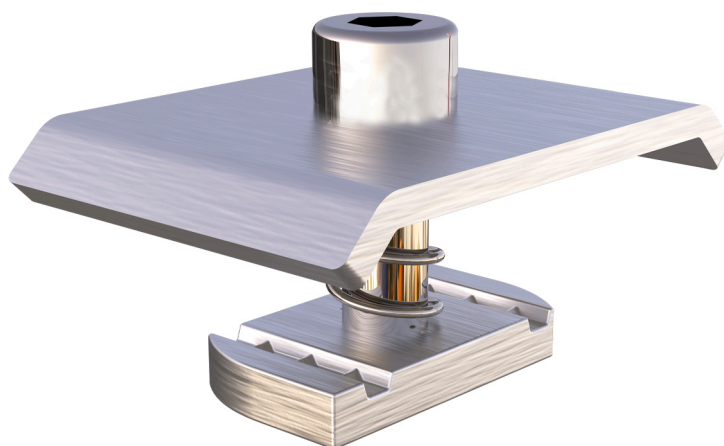


## MPST-C

pre-assembled central clamp for solar thermal panel

- cod. FVD200036 - cod. FVD200036BOX



## DIMENSIONI

CODE	A [mm]	B [mm]
FVD200036BOX	50	40

## CARATTERISTICHE TECNICHE:

- Cursore in copolimero acetalico con piastrina in acciaio trattamento Geomet®
- Filetto M8
- Viteria e molla in acciaio inox AISI A2

## ARTICOLI

CODICE	DESCRIPTION
FVD200036	MPST-L PRE-ASSEMBLED CENTRAL CLAMP FOR SOLAR THERMAL PANEL
FVD200036BOX	MPST-L PRE-ASSEMBLED CENTRAL CLAMP FOR SOLAR THERMAL PANEL - BOX 30 pcs

All rights relating to this publication are the exclusive property of Tecnosystemi SpA.  
 Tecnosystemi SpA reserves the right to make changes at any time and without notice, for technical or commercial needs.