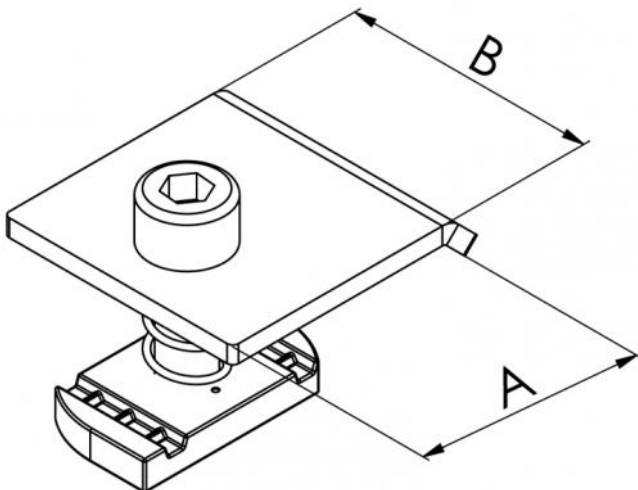
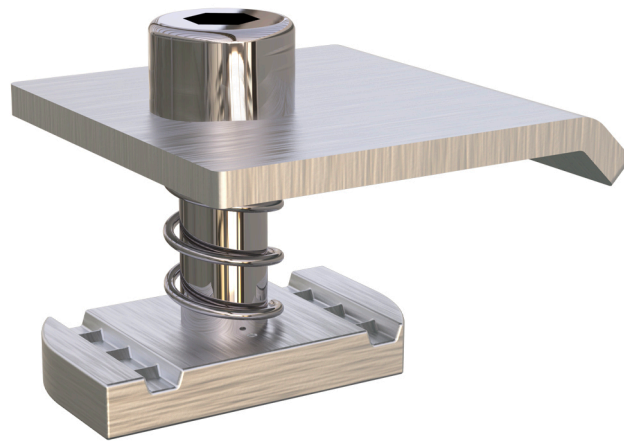


MPST-L

pre-assembled side clamp for solar thermal panel

- cod. FVD200035 - cod. FVD200035BOX



DIMENSIONS

CODE	A [mm]	B [mm]
FVD200035	50	40
FVD200035BOX	50	40

TECHNICAL SPECIFICATIONS:

- Acetal copolymer slider with Geomet® treatment steel plate
- M8 thread
- AISI A2 stainless steel screws and spring

ITEMS

CODE	DESCRIPTION
FVD200035	MPST-L PRE-ASSEMBLED SIDE CLAMP FOR SOLAR THERMAL PANEL
FVD200035BOX	MPST-L PRE-ASSEMBLED SIDE CLAMP FOR SOLAR THERMAL PANEL - BOX 30 pcs

All rights relating to this publication are the exclusive property of Tecnosystemi SpA.
 Tecnosystemi SpA reserves the right to make changes at any time and without notice, for technical or commercial needs.