

ARIA 2 ELEGANCE TR

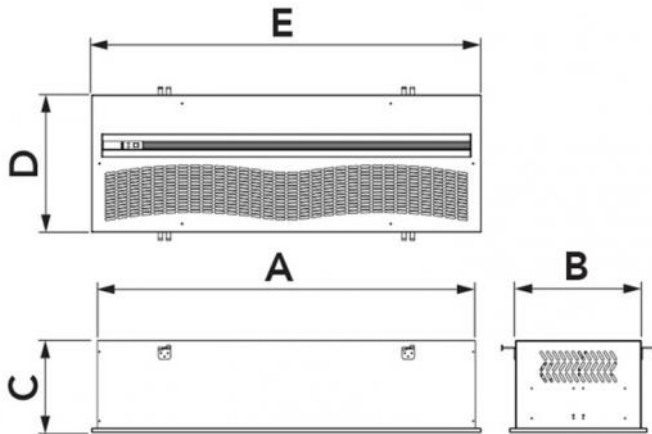
Built-in tangential air curtain with electrical heating element

- cod. 12450014R2 - cod. 12450014R3 - cod. 12450024R2
- cod. 12450024R3 - cod. 12450034R2 - cod. 12450034R3



TECHNICAL SPECIFICATIONS:

- 6 models in white
- 3 speeds operated by remote control
- Air curtains are designed for indoor use
- Automatic start-up kit on request
- Total integration in the false ceiling
- Option to partialise operation of electric elements
- The unit must be installed horizontally
- Installation height max. 2.2 m



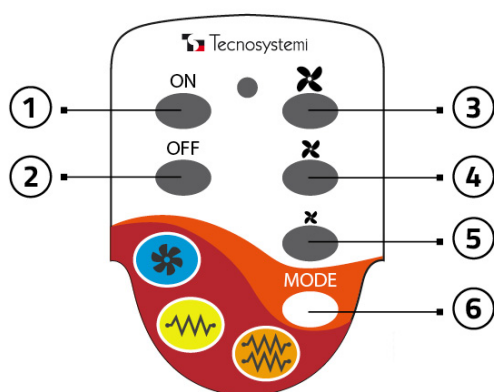
DIMENSIONS

CODE	A [mm]	B [mm]	C [mm]	D [mm]	E [mm]	SUITABLE FOR LARGE DOORS [mm]
12450014R2	1086	362	270	396	1120	L.1000 H.Max.2200 H.Min.1800
12450014R3	1086	362	270	396	1120	L.1000 H.Max.2200 H.Min.1800
12450024R2	1440	362	270	396	1472	L.2000 H.Max.2200 H.Min.1800
12450024R3	1440	362	270	396	1472	L.2000 H.Max.2200 H.Min.1800
12450034R2	2040	362	270	396	2072	L.1500 H.Max.2200 H.Min.1800
12450034R3	2040	362	270	396	2072	L.1500 H.Max.2200 H.Min.1800

TECHNICAL DATA

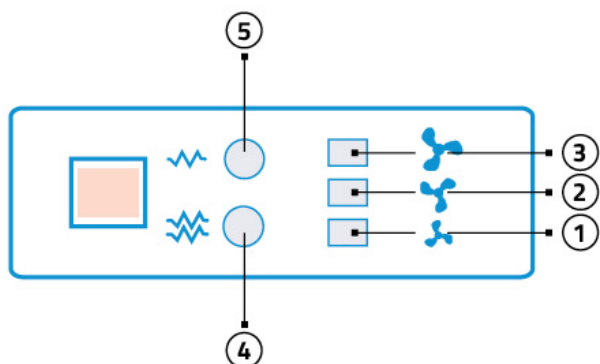
CODE	MODEL	SUPPLY VOLTAGE [V]	FREQUENCY [Hz]	POWER CONSUMPTION [W]	AIR SPEED AT INLET [m/s]	POWER CONSUMPTION WITH PARTIAL LOAD RESISTANCE [W]	POWER ABSORBED WITH FULL LOAD RESISTANCE [W]	AIR FLOW RATE [m³/s]	SOUND POWER LEVEL [DB(A)]	ΔT AIR WITH HEATING ELEMENTS [°C]	WEIGHT [kg]
12450014R2	1100	220 ac	50	75	I:8 II:9 III:10	1900	3800	I:692 II:753 III:948	I:47 II:52 III:54	12	23
12450014R3	1100	400 ac	50	75	I:8 II:9 III:10	3800	5700	I:678 II:738 III:929	I:47 II:52 III:54	15	24
12450024R2	1500	400 ac	50	190	I:8 II:9 III:10	3200	6400	I:1112 II:1213 III:1263	I:51 II:54 III:55	19	35
12450024R3	2000	400 ac	50	190	I:8 II:9 III:10	3800	7600	I:1090 II:1189 III:1238	I:49 II:52 III:53	19	49
12450034R2	1500	400 ac	50	190	I:8 II:9 III:10	6400	9600	I:1090 II:1189 III:1238	I:52 II:55 III:56	25	36
12450034R3	2000	400 ac	50	190	I:8 II:9 III:10	7600	11400	I:1068 II:1165 III:1213	I:50 II:53 III:54	25	50

REMOTE CONTROL



- [1] ON / Turns the appliance on
- [2] OFF / Shuts the appliance off
- [3] Maximum speed
- [4] Medium speed
- [5] Low speed
- [6] Selection of heating element

DASHBOARD LABEL



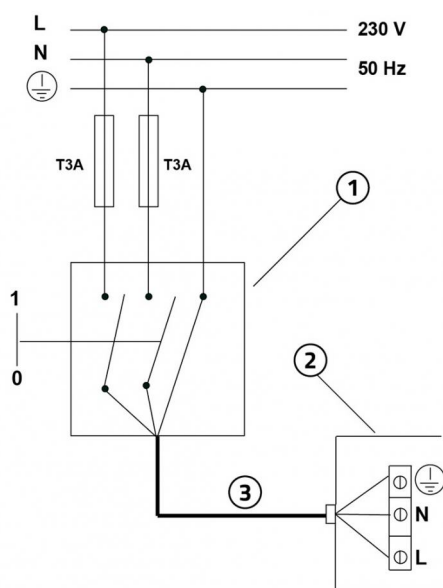
- [1] 1st speed (Min) 1 LED LIT
- [2] 2nd speed (Med) 2 LEDS LIT
- [3] 3rd speed (Max) 3 LEDS LIT
- [4] Heating element at full load (orange LED)
- [5] Heating element at partial load (yellow LED)

AUTOMATIC START KIT FOR AIR CURTAINS.



This kit, sold separately from the air curtain, allows you to switch the machine on and off by opening and closing the door.

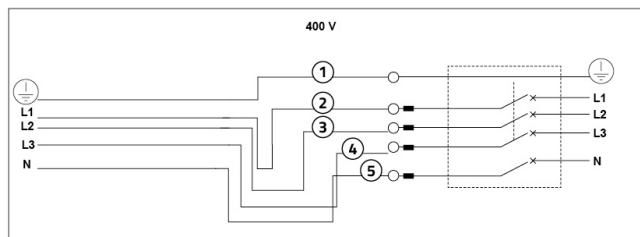
SINGLE-PHASE POWER SUPPLY AND WIRING DIAGRAM



- [1] Omnipolar thermal magnetic protection switch compliant with EN 61508:1
- [2] Power cable 3x2.5 mm²
- [3] Electrical connection box

IMPORTANT!
During the electrical connection, the installer must comply with the polarities indicated by the plate in front of the power supply terminal board.

THREE-PHASE POWER SUPPLY AND WIRING DIAGRAM



[L1 - L2 - L3] Connect the line conductor: all safety guards are fitted inside

[N] Connect the neutral connector

Connect the conductor [1] having a length greater than 1 cm compared to [L1] and [N]

[1] YELLOW/GREEN

[2] BROWN

[3] BLACK

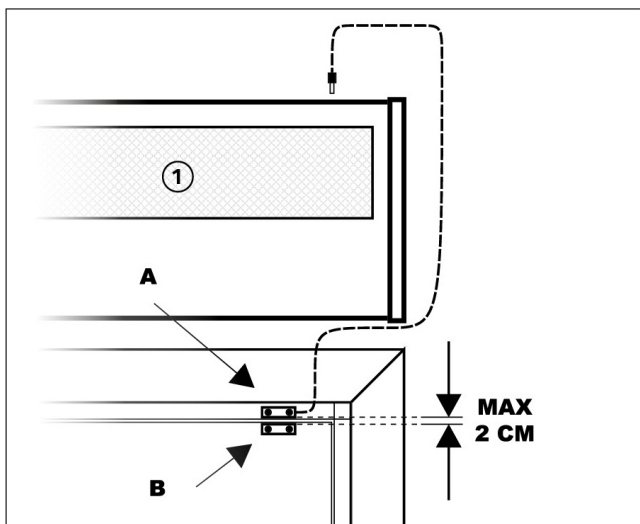
[4] WHITE

[5] BLUE

IMPORTANT!

During the electrical connection, the installer must comply with the polarities indicated by the plate in front of the power supply terminal board.

INSTALLING AND COMMISSIONING THE AUTOMATIC START KIT (optional)



[1] Air curtain

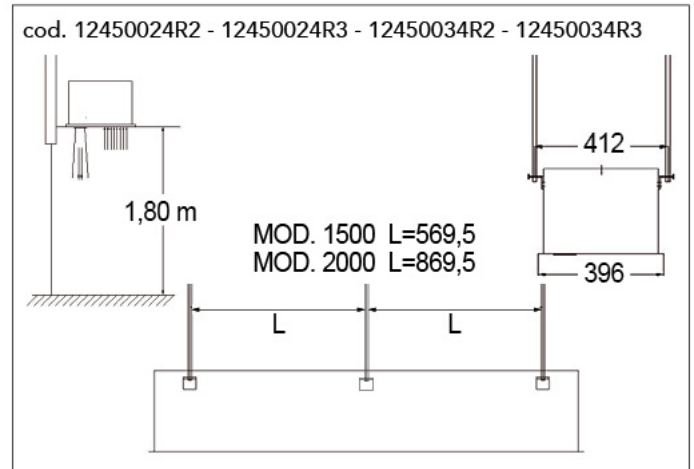
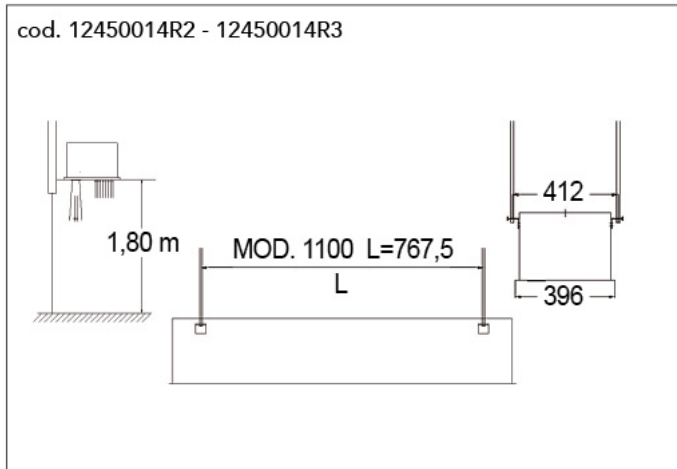
Connect the wired sensor to the air curtain via jack.

Attach the magnetic sensor A to the door casing or to a solid point with the door frame.

Attach the second sensor to the moving part of the door leaving no more than 2 cm between the two sensors.

When the "automatic start kit" is installed, the air curtain can be switched on and off with the opening / closing of the door.

INSTALLATION AND START-UP



ITEMS

CODE	DESCRIPTION
12450014R2	"ARIA 2 ELEGANCE TR" 1100 TANGENTIAL AIR CURTAINS WITH 2 ELECTRIC HEATING ELEMENTS
12450014R3	"ARIA 2 ELEGANCE TR" 1100 TANGENTIAL AIR CURTAINS WITH 3 ELECTRIC HEATING ELEMENTS
12450024R2	"ARIA 2 ELEGANCE TR" 1500 TANGENTIAL AIR CURTAINS WITH 4 ELECTRIC HEATING ELEMENTS
12450024R3	"ARIA 2 ELEGANCE TR" 1500 TANGENTIAL AIR CURTAINS WITH 6 ELECTRIC HEATING ELEMENTS
12450034R2	"ARIA 2 ELEGANCE TR" 2000 TANGENTIAL AIR CURTAINS WITH 4 ELECTRIC HEATING ELEMENTS
12450034R3	"ARIA 2 ELEGANCE TR" 2000 TANGENTIAL AIR CURTAINS WITH 6 ELECTRIC HEATING ELEMENTS

All rights relating to this publication are the exclusive property of Tecnosystemi SpA.
 Tecnosystemi SpA reserves the right to make changes at any time and without notice, for technical or commercial needs.