

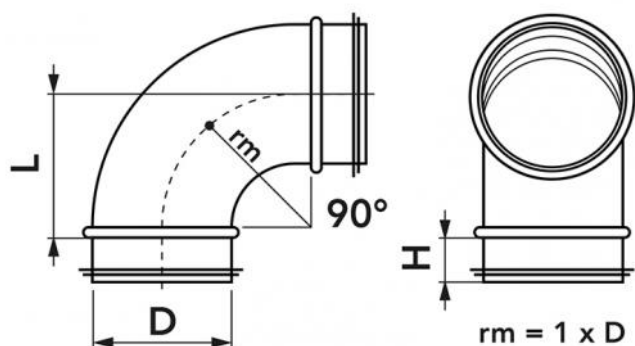
90° Smooth curve

- cod. 31500080 - cod. 31500090 - cod. 31500100
- cod. 31500110 - cod. 31500120 - cod. 31500122
- cod. PWC500055 - cod. 31500124 - cod. 31500126



TECHNICAL SPECIFICATIONS:

- Made of galvanized steel
- With double lip EPDM gasket



DIMENSIONS

CODE	D [mm]	rm [mm]	H [mm]	L [mm]	WEIGHT [kg]
31500080	100	100	36	100	0,40
31500090	125	125	36	125	0,60
31500100	160	160	36	160	1,00
31500110	200	200	36	200	1,50
31500120	250	250	36	250	2,40
31500122	300	300	50	300	3,70
PWC500055	315	315	55	315	3,70
31500124	355	355	55	355	4,11
31500126	400	400	55	400	5,06

ITEMS

CODE	DESCRIPTION
31500080	SMOOTH CURVE 90° Ø 100
31500090	SMOOTH CURVE 90° Ø 125
31500100	SMOOTH CURVE 90° Ø 160
31500110	SMOOTH CURVE 90° Ø 200
31500120	SMOOTH CURVE 90° Ø 250
31500122	SMOOTH CURVE 90° Ø 300
PWC500055	ELBOW A 90° Ø315
31500124	SMOOTH CURVE 90° Ø 355
31500126	SMOOTH CURVE 90° Ø 400

All rights relating to this publication are the exclusive property of Tecnosystemi SpA.
 Tecnosystemi SpA reserves the right to make changes at any time and without notice, for technical or commercial needs.