

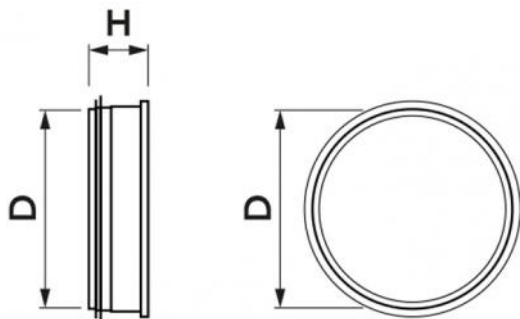
Male cap

- cod. 31500430 - cod. 31500440 - cod. 31500450
- cod. 31500460 - cod. 31500470 - cod. 31500480
- cod. 31500482 - cod. PWC500043 - cod. 31500484
- cod. 31500486



TECHNICAL SPECIFICATIONS:

- Made of galvanized steel
- With double lip EPDM gasket



DIMENSIONS

CODE	D [mm]	H [mm]	WEIGHT [kg]
31500430	80	45	0,13
31500440	100	50	0,17
31500450	125	45	0,22
31500460	160	50	0,31
31500470	200	45	0,43
31500480	250	61	0,59
31500482	300	35	0,81
PWC500043	315	35	0,87
31500484	355	60	1,05
31500486	400	58	1,26

ITEMS

CODE	DESCRIPTION
31500430	MALE CAP Ø 80
31500440	MALE CAP Ø 100
31500450	MALE CAP Ø 125
31500460	MALE CAP Ø 160
31500470	MALE CAP Ø 200
31500480	MALE CAP Ø 250
31500482	MALE CAP Ø 300
PWC500043	MALE CAP Ø 315
31500484	MALE CAP Ø 355
31500486	MALE CAP Ø 400

All rights relating to this publication are the exclusive property of Tecnosystemi SpA.
 Tecnosystemi SpA reserves the right to make changes at any time and without notice, for technical or commercial needs.