

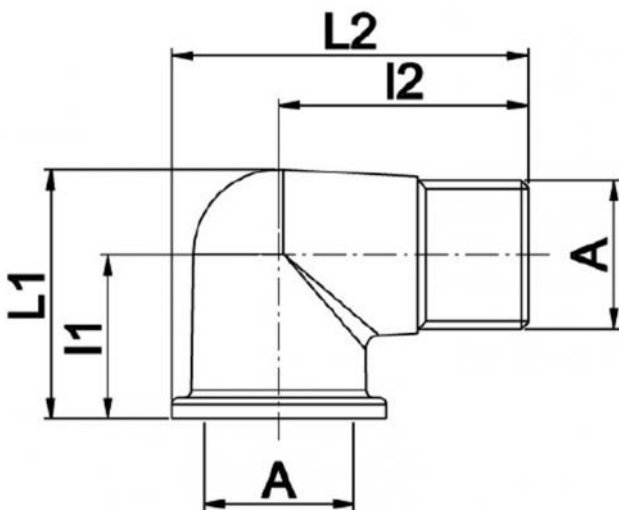
## Curve M / F

- cod. 26003010 - cod. 26003020 - cod. 26003030  
- cod. 26003040 - cod. 26003050



### TECHNICAL SPECIFICATIONS:

- Made of brass
- Application in hydraulics
- Gas thread
- Maximum operating temperature: +130°C



## DIMENSIONS

CODE	A	l1 [mm]	l2 [mm]	L1 [mm]	L2 [mm]
26003010	1/2"	24	35,5	35	48
26003020	3/4"	28	41,5	39	57
26003030	1"	32,5	49		72
26003040	1" 1/4	51	50	75	76
26003050	1" 1/2	63,5	67,5	85,5	90

## ITEMS

CODE	DESCRIPTION
26003010	BEND MF 1/2" (PACK OF 10)
26003020	3/4" MF CURVE
26003030	BEND MF 1" (PACK OF 5)
26003040	CURVE MF 1"1/4
26003050	CURVE MF 1"1/2

All rights relating to this publication are the exclusive property of Tecnosystemi SpA.  
 Tecnosystemi SpA reserves the right to make changes at any time and without notice, for technical or commercial needs.