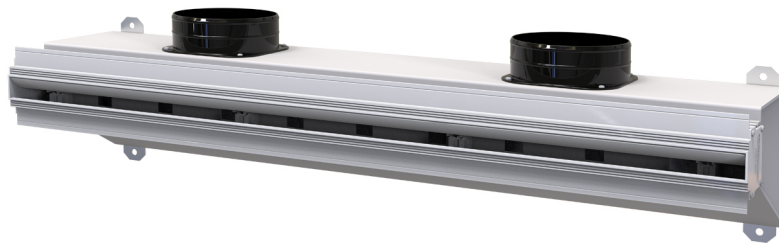


Linear retracting diffuser in anti-condensate PVC with damper, insulated plenum and central baffle

- cod. PWD301412 - cod. PWD301413 - cod. PWD301420
- cod. PWD301421 - cod. PWD301428 - cod. PWD301429
- cod. PWD301436 - cod. PWD301437 - cod. PWD301444
- cod. PWD301445 - cod. PWD301452 - cod. PWD301453
- cod. PWD301460 - cod. PWD301461 - cod. PWD301468
- cod. PWD301469 - cod. PWD301476 - cod. PWD301477
- cod. PWD301484 - cod. PWD301485 - cod. PWD301693
- cod. PWD301694 - cod. PWD301697 - cod. PWD301698
- cod. PWD301701 - cod. PWD301702 - cod. PWD301705
- cod. PWD301706 - cod. PWD301709 - cod. PWD301710



DESCRIPTION

Linear retracting diffuser in anti-condensate PVC with damper, insulated plenum and central baffle. Available with 20 or 30 mm slot in black or white.

With a unique, original design, the plenum is made of galvanised metal sheet coated with closed-cell polyethylene.

This retracting linear diffuser combines design and function, blending perfectly into any room, with uniform air diffusion and high thermal induction.

This innovative diffuser is made from PVC which, in contrast to aluminium, due to its physical characteristics does not produce condensate; this avoids the formation of fungi, mould and bacteria inside the diffuser and ensures excellent wall insulation.

The inlet collars are included in the pack and must be assembled according to installation needs.

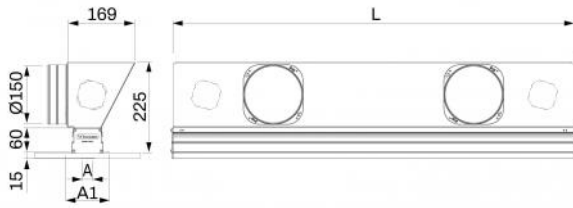
The plenum has other built-in installation boxes for additional ducts and MVHR ducts, break as needed.

The damper is used to control the required amount of air and can be calibrated using a screwdriver.

Housings are obtained from inside the profiles to enable the mounting of the central adjustable PVC baffle.
By changing the central baffle direction it is possible to deliver the air flow according to the place of installation, if necessary obtaining a Coanda effect.

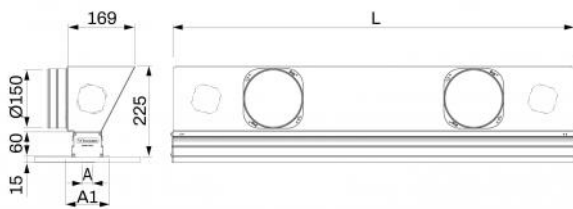
ACCESSORIES

- False ceiling brackets, included.
- Continuity kit, can be purchased separately.



Diffuser Dimensions with Insulated Plenum

CODE	L [mm]	A [mm]	A1 [mm]	COUPLING Ø150
PWD301412	600	20	100	1
PWD301413	600	20	100	1
PWD301420	600	30	110	1
PWD301421	600	30	110	1
PWD301428	800	20	100	2
PWD301429	800	20	100	2
PWD301436	800	30	110	2
PWD301437	800	30	110	2
PWD301444	1000	20	100	2
PWD301445	1000	20	100	2
PWD301452	1000	30	110	2
PWD301453	1000	30	110	2
PWD301460	1500	20	100	3
PWD301461	1500	20	100	3
PWD301468	1500	30	110	3
PWD301469	1500	30	110	3
PWD301476	2000	20	100	4
PWD301477	2000	20	100	4
PWD301484	2000	30	110	4
PWD301485	2000	30	110	4



Diffuser Dimensions without Plenum

CODE	L [mm]	A [mm]	A1 [mm]	COUPLING Ø150
PWD301693	600	20	100	1
PWD301694	600	20	100	1
PWD301697	800	20	100	2
PWD301698	800	20	100	2
PWD301701	1000	20	100	2
PWD301702	1000	20	100	2
PWD301705	1500	20	100	3
PWD301706	1500	20	100	3
PWD301709	2000	20	100	4
PWD301710	2000	20	100	4

INFORMATION

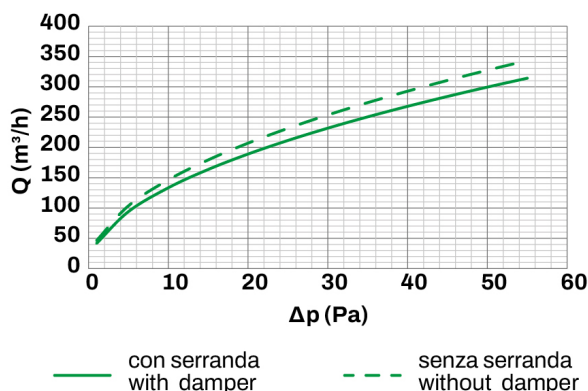
Measures are indicated in millimetres (mm), unless otherwise specified.

The plasterboard thickness calculated for these configurations is 12.5 mm (not included in the supply).

TECHNICAL DATA

DIFFUSER	TECHNICAL SPECIFICATIONS
Material:	Anti-condensate PVC
Colour:	White / Black
Flammability rating:	V0
Operating temperature	-30°C ... +60°C

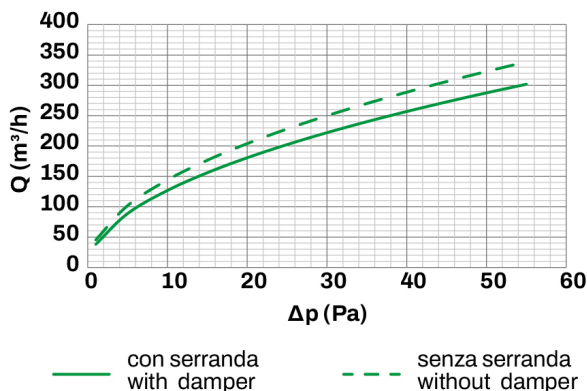
LOAD CAPACITY AND DIFFUSER PRESSURE DROP CURVES WITH 20 mm SLOT WITH OR WITHOUT DAMPER, VERTICAL BAFFLE



NOTE:

If there are already dampers along the ventilation system and these need to be removed in order to improve performance, refer to the paragraph "DAMPER DISASSEMBLY INDICATIONS" indicated below and consider the performance indicated in the graph from the dotted line.

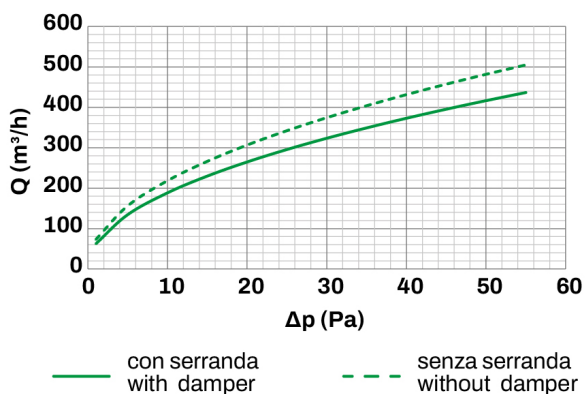
LOAD CAPACITY AND DIFFUSER PRESSURE DROP CURVES WITH 20 mm SLOT WITH OR WITHOUT DAMPER, BAFFLE ORIENTED TO THE RIGHT OR LEFT



NOTE:

If there are already dampers along the ventilation system and these need to be removed in order to improve performance, refer to the paragraph "DAMPER DISASSEMBLY INDICATIONS" indicated below and consider the performance indicated in the graph from the dotted line.

LOAD CAPACITY AND DIFFUSER PRESSURE DROP CURVES WITH 30 mm SLOT WITH OR WITHOUT DAMPER, VERTICAL BAFFLE



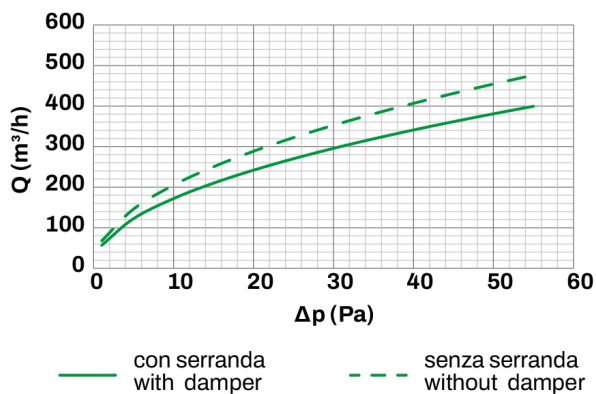
NOTE:

If there are already dampers along the ventilation system and these need to be removed in order to improve performance, refer to the paragraph "DAMPER DISASSEMBLY INDICATIONS" indicated below and consider the performance indicated in the graph from the dotted line.

LOAD CAPACITY AND DIFFUSER PRESSURE DROP CURVES WITH 30 mm SLOT WITH OR WITHOUT DAMPER, BAFFLE ORIENTED TO THE RIGHT OR LEFT

NOTE:

If there are already dampers along the ventilation system and these need to be removed in order to improve performance, refer to the paragraph "DAMPER DISASSEMBLY INDICATIONS" indicated below and consider the performance indicated in the graph from the dotted line.

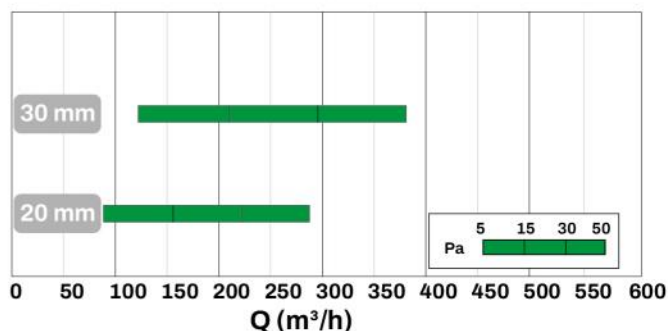
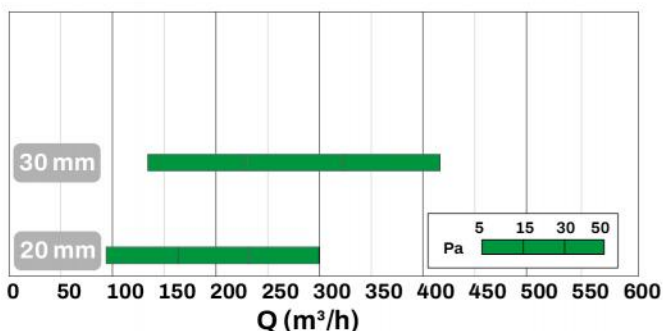
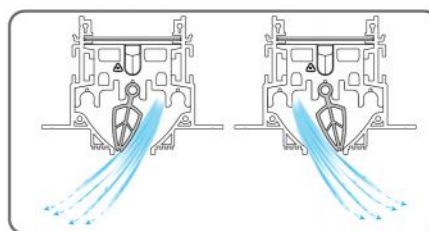
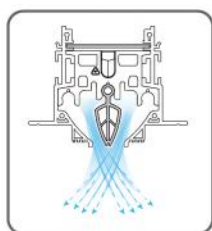


MODEL	Ak [m²]	Qv min [m³/h]	Qv max [m³/h]	Lwa min [dB(A)]	Lwa max [dB(A)]	DP min [Pa]	DP max [Pa]
SLOT 20	0.02	135	300	34	48	10	50
SLOT 30	0.03	190	415	36	50	10	50

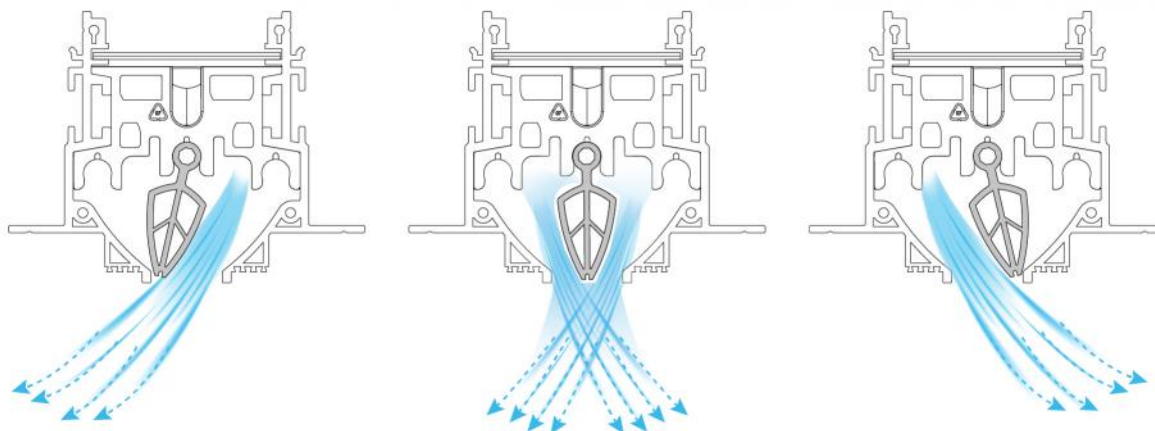
INFORMATION

The data in the table refers to 1000 mm long linear retracting diffusers, with fully open damper and vertical baffle.

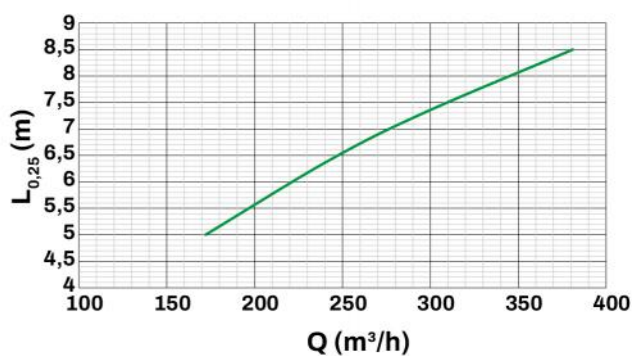
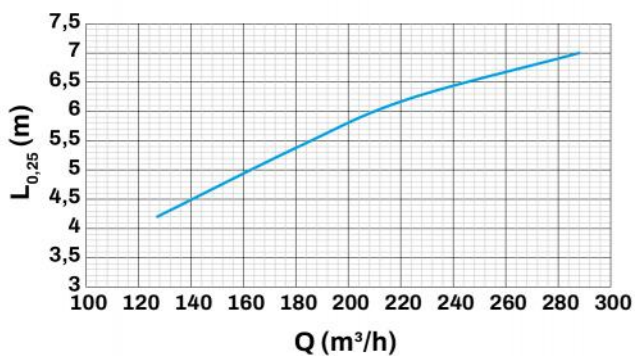
SHORTCUT DIAGRAM



EXAMPLE OF FLOW

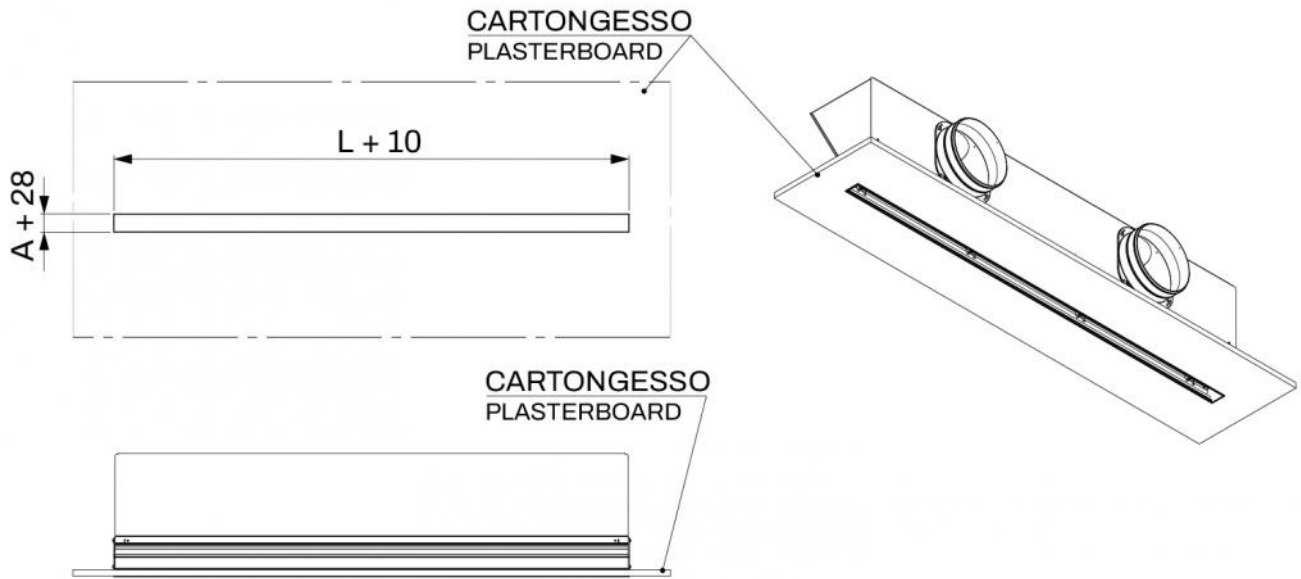


HORIZONTAL FLOW CHART WITH BAFFLE FULLY ORIENTED TO THE RIGHT OR TO THE LEFT

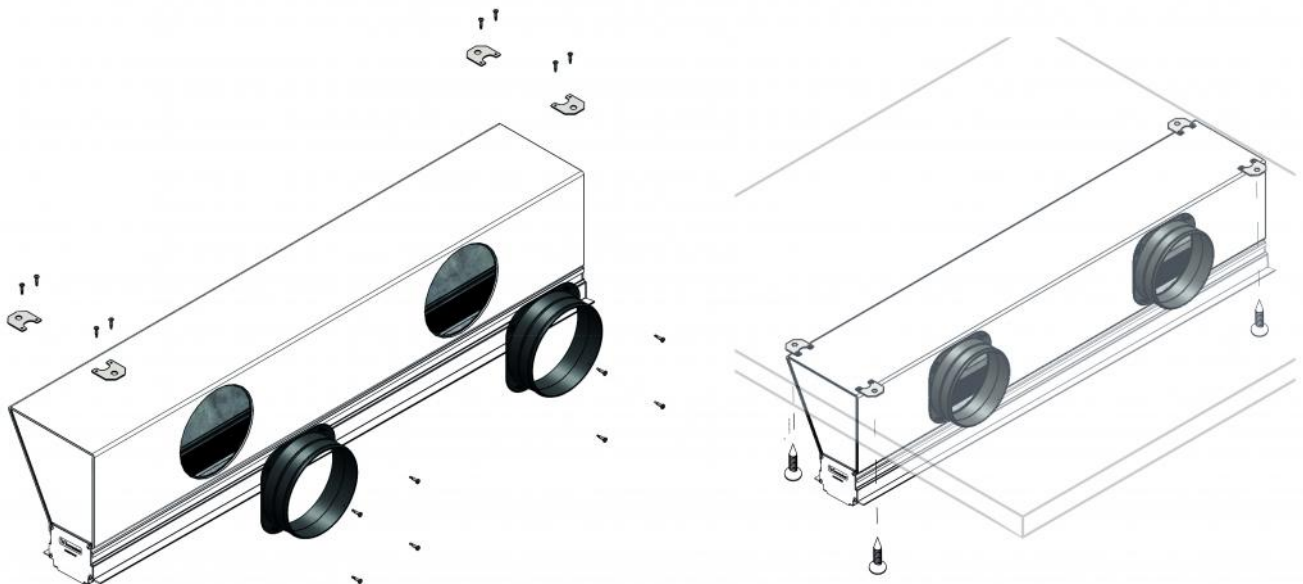


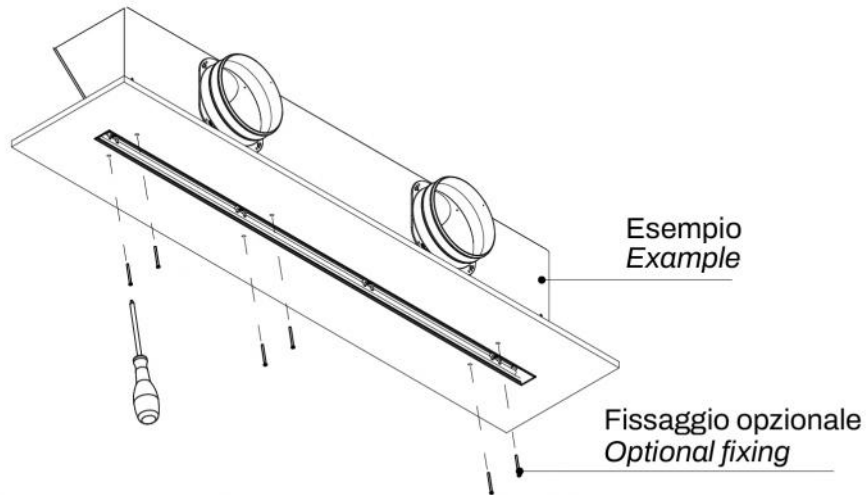
— feritoia 20 mm
20 mm slot — feritoia 30 mm
30 mm slot

BUILT-IN INSTALLATION BOX FOR WALLS

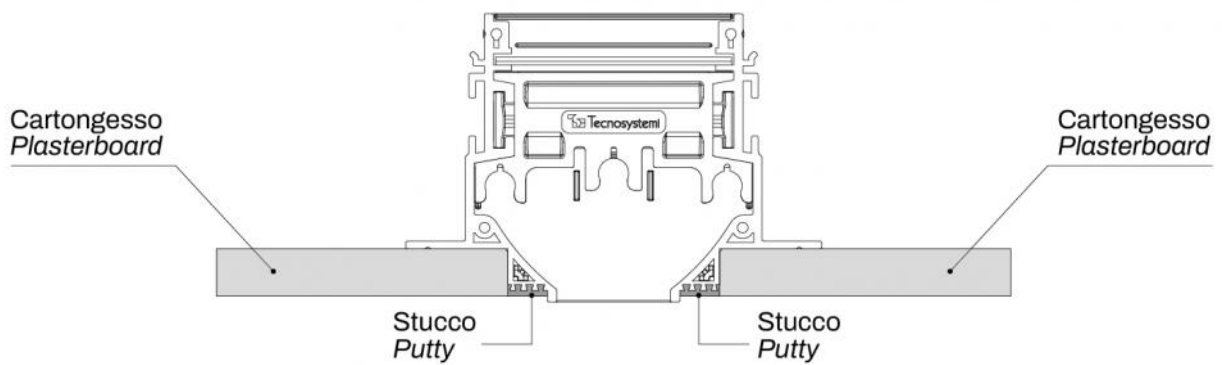


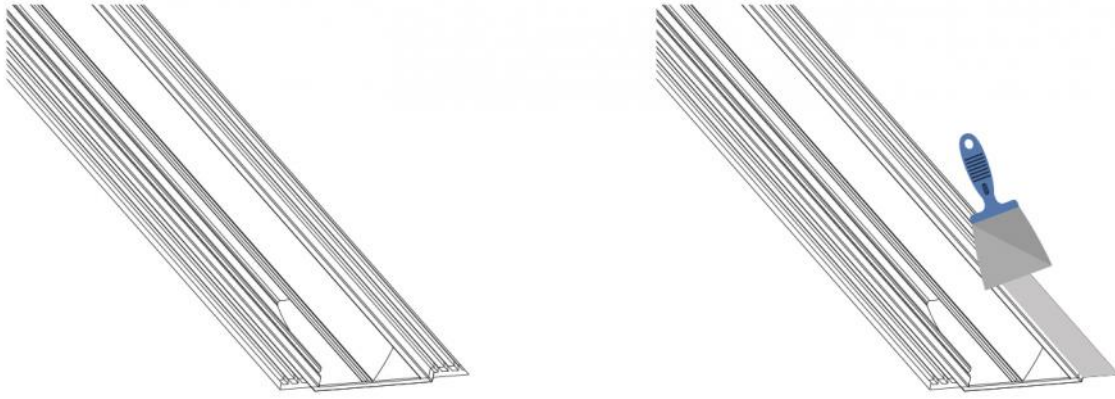
EXAMPLE OF INSTALLATION:



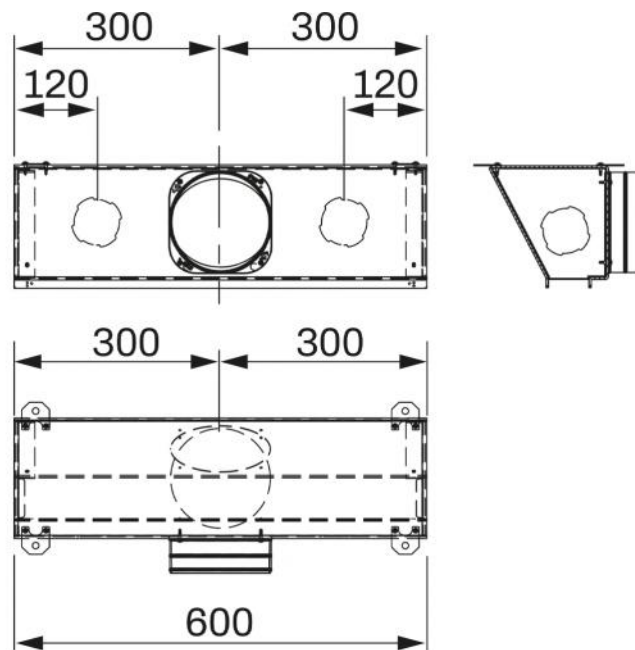


GROUTING

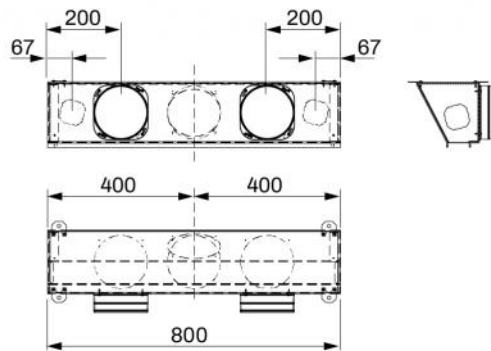




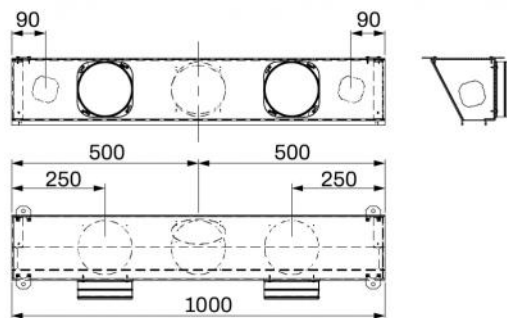
BUILT-IN INSTALLATION BOX DIMENSIONS L. 600



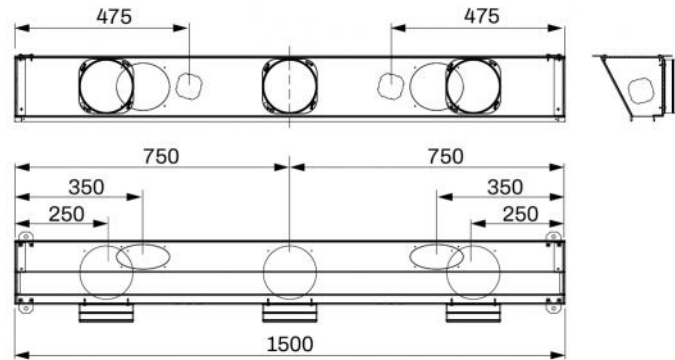
BUILT-IN INSTALLATION BOX DIMENSIONS L. 800



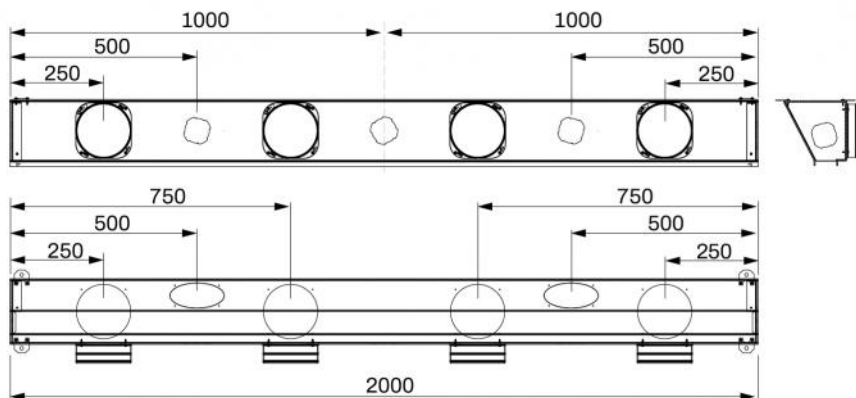
BUILT-IN INSTALLATION BOX DIMENSIONS L. 1000



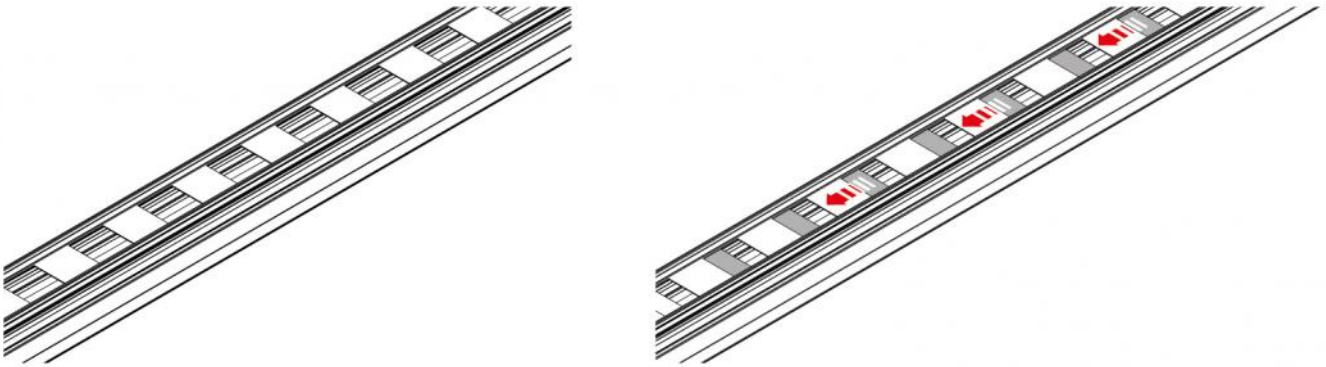
BUILT-IN INSTALLATION BOX DIMENSIONS L. 1500



BUILT-IN INSTALLATION BOX DIMENSIONS L. 2000

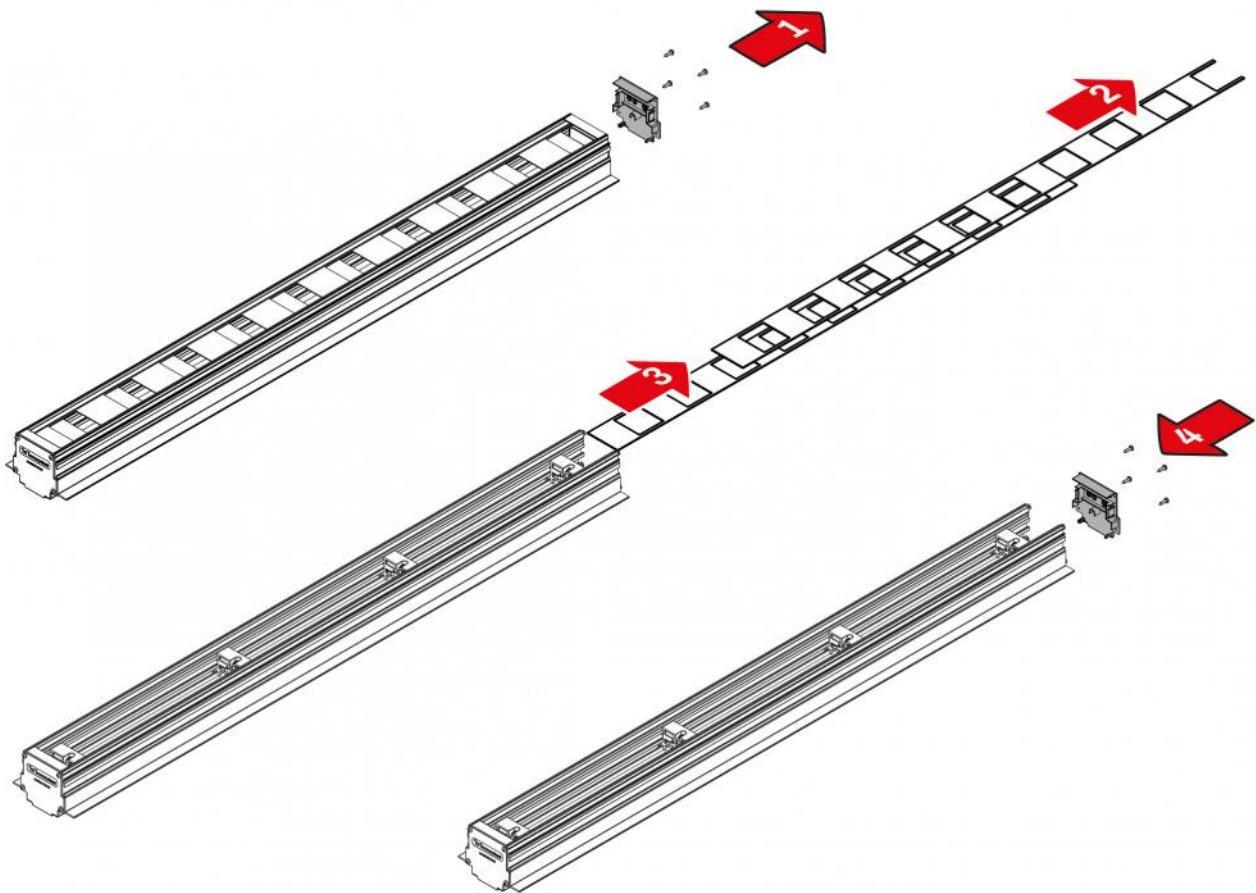


DAMPER ADJUSTMENT

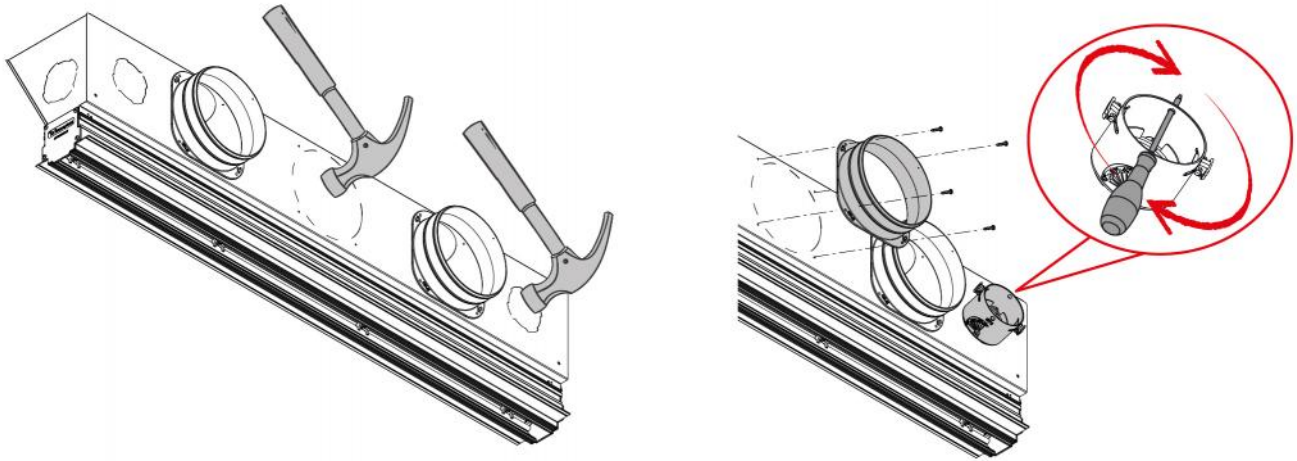


Use a screwdriver to adjust the damper, acting beneath the diffuser.

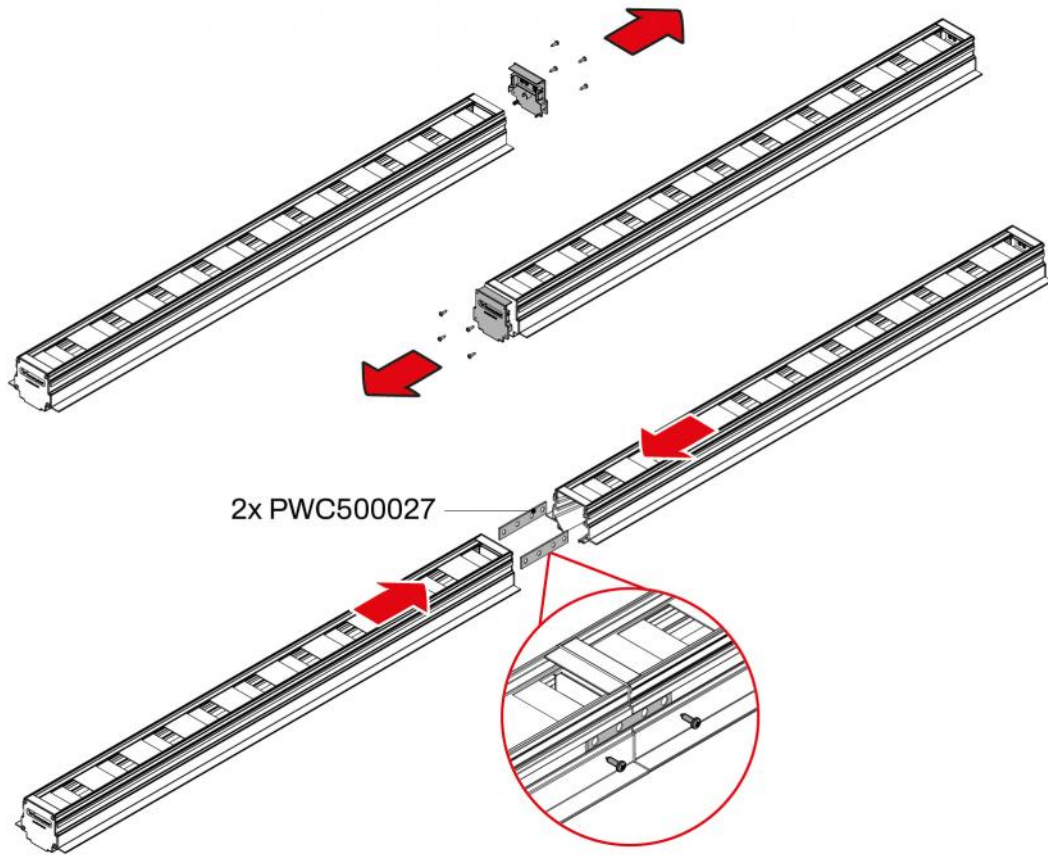
INDICATIONS FOR THE DISASSEMBLY OF THE DAMPER



EXAMPLE OF COLLAR AND/OR MVHR BUILT-IN INSTALLATION BOX INSTALLATION



EXAMPLE OF CONTINUITY KIT FIXING



ITEMS

CODE	DESCRIPTION
PWD301412	CONCEALED LINEAR DIFFUSER IN ANTI-CONDENSING PVC WITH DAMPER, INSULATED PLENUM AND CENTRAL DEFLECTOR L600mm SLOT 20mm WHITE
PWD301413	CONCEALED LINEAR DIFFUSER IN ANTI-CONDENSING PVC WITH DAMPER, INSULATED PLENUM AND CENTRAL DEFLECTOR L600mm SLOT 20mm BLACK
PWD301420	CONCEALED LINEAR DIFFUSER IN ANTI-CONDENSING PVC WITH DAMPER, INSULATED PLENUM AND CENTRAL DEFLECTOR L600mm SLOT 30mm WHITE
PWD301421	CONCEALED LINEAR DIFFUSER IN ANTI-CONDENSING PVC WITH DAMPER, INSULATED PLENUM AND CENTRAL DEFLECTOR L600mm SLOT 30mm BLACK
PWD301428	CONCEALED LINEAR DIFFUSER IN ANTI-CONDENSING PVC WITH DAMPER, INSULATED PLENUM AND CENTRAL DEFLECTOR L800mm SLOT 20mm WHITE
PWD301429	CONCEALED LINEAR DIFFUSER IN ANTI-CONDENSING PVC WITH DAMPER, INSULATED PLENUM AND CENTRAL DEFLECTOR L800mm SLOT 20mm BLACK
PWD301436	CONCEALED LINEAR DIFFUSER IN ANTI-CONDENSING PVC WITH DAMPER, INSULATED PLENUM AND CENTRAL DEFLECTOR L800mm SLOT 30mm WHITE
PWD301437	CONCEALED LINEAR DIFFUSER IN ANTI-CONDENSING PVC WITH DAMPER, INSULATED PLENUM AND CENTRAL DEFLECTOR L800mm SLOT 30mm BLACK
PWD301444	CONCEALED LINEAR DIFFUSER IN ANTI-CONDENSING PVC WITH DAMPER, INSULATED PLENUM AND CENTRAL DEFLECTOR L1000mm SLOT 20mm WHITE
PWD301445	CONCEALED LINEAR DIFFUSER IN ANTI-CONDENSING PVC WITH DAMPER, INSULATED PLENUM AND CENTRAL DEFLECTOR L1000mm SLOT 20mm BLACK
PWD301452	CONCEALED LINEAR DIFFUSER IN ANTI-CONDENSING PVC WITH DAMPER, INSULATED PLENUM AND CENTRAL DEFLECTOR L1000mm SLOT 30mm WHITE
PWD301453	CONCEALED LINEAR DIFFUSER IN ANTI-CONDENSING PVC WITH DAMPER, INSULATED PLENUM AND CENTRAL DEFLECTOR L1000mm SLOT 30mm BLACK
PWD301460	CONCEALED LINEAR DIFFUSER IN ANTI-CONDENSING PVC WITH DAMPER, INSULATED PLENUM AND CENTRAL DEFLECTOR L1500mm SLOT 20mm WHITE
PWD301461	CONCEALED LINEAR DIFFUSER IN ANTI-CONDENSING PVC WITH DAMPER, INSULATED PLENUM AND CENTRAL DEFLECTOR L1500mm SLOT 20mm BLACK
PWD301468	CONCEALED LINEAR DIFFUSER IN ANTI-CONDENSING PVC WITH DAMPER, INSULATED PLENUM AND CENTRAL DEFLECTOR L1500mm SLOT 30mm WHITE
PWD301469	CONCEALED LINEAR DIFFUSER IN ANTI-CONDENSING PVC WITH DAMPER, INSULATED PLENUM AND CENTRAL DEFLECTOR L1500mm SLOT 30mm BLACK
PWD301476	CONCEALED LINEAR DIFFUSER IN ANTI-CONDENSING PVC WITH DAMPER, INSULATED PLENUM AND CENTRAL DEFLECTOR L2000mm SLOT 20mm WHITE
PWD301477	CONCEALED LINEAR DIFFUSER IN ANTI-CONDENSING PVC WITH DAMPER, INSULATED PLENUM AND CENTRAL DEFLECTOR L2000mm SLOT 20mm BLACK
PWD301484	CONCEALED LINEAR DIFFUSER IN ANTI-CONDENSING PVC WITH DAMPER, INSULATED PLENUM AND CENTRAL DEFLECTOR L2000mm SLOT 30mm WHITE
PWD301485	CONCEALED LINEAR DIFFUSER IN ANTI-CONDENSING PVC WITH DAMPER, INSULATED PLENUM AND CENTRAL DEFLECTOR L2000mm SLOT 30mm BLACK
PWD301693	CONCEALED LINEAR DIFFUSER IN ANTI-CONDENSING PVC WITH DAMPER, CENTRAL DEFLECTOR L600mm SLOT 30mm WHITE
PWD301694	CONCEALED LINEAR DIFFUSER IN ANTI-CONDENSING PVC WITH DAMPER, CENTRAL DEFLECTOR L600mm SLOT 30mm BLACK
PWD301697	CONCEALED LINEAR DIFFUSER IN ANTI-CONDENSING PVC WITH DAMPER, CENTRAL DEFLECTOR L800mm SLOT 30mm WHITE
PWD301698	CONCEALED LINEAR DIFFUSER IN ANTI-CONDENSING PVC WITH DAMPER, CENTRAL DEFLECTOR L800mm SLOT 30mm BLACK

ITEMS

CODE	DESCRIPTION
PWD301412	CONCEALED LINEAR DIFFUSER IN ANTI-CONDENSING PVC WITH DAMPER, INSULATED PLENUM AND CENTRAL DEFLECTOR L600mm SLOT 20mm WHITE
PWD301413	CONCEALED LINEAR DIFFUSER IN ANTI-CONDENSING PVC WITH DAMPER, INSULATED PLENUM AND CENTRAL DEFLECTOR L600mm SLOT 20mm BLACK
PWD301420	CONCEALED LINEAR DIFFUSER IN ANTI-CONDENSING PVC WITH DAMPER, INSULATED PLENUM AND CENTRAL DEFLECTOR L600mm SLOT 30mm WHITE
PWD301421	CONCEALED LINEAR DIFFUSER IN ANTI-CONDENSING PVC WITH DAMPER, INSULATED PLENUM AND CENTRAL DEFLECTOR L600mm SLOT 30mm BLACK
PWD301428	CONCEALED LINEAR DIFFUSER IN ANTI-CONDENSING PVC WITH DAMPER, INSULATED PLENUM AND CENTRAL DEFLECTOR L800mm SLOT 20mm WHITE
PWD301429	CONCEALED LINEAR DIFFUSER IN ANTI-CONDENSING PVC WITH DAMPER, INSULATED PLENUM AND CENTRAL DEFLECTOR L800mm SLOT 20mm BLACK
PWD301436	CONCEALED LINEAR DIFFUSER IN ANTI-CONDENSING PVC WITH DAMPER, INSULATED PLENUM AND CENTRAL DEFLECTOR L800mm SLOT 30mm WHITE
PWD301437	CONCEALED LINEAR DIFFUSER IN ANTI-CONDENSING PVC WITH DAMPER, INSULATED PLENUM AND CENTRAL DEFLECTOR L800mm SLOT 30mm BLACK
PWD301444	CONCEALED LINEAR DIFFUSER IN ANTI-CONDENSING PVC WITH DAMPER, INSULATED PLENUM AND CENTRAL DEFLECTOR L1000mm SLOT 20mm WHITE
PWD301445	CONCEALED LINEAR DIFFUSER IN ANTI-CONDENSING PVC WITH DAMPER, INSULATED PLENUM AND CENTRAL DEFLECTOR L1000mm SLOT 20mm BLACK
PWD301452	CONCEALED LINEAR DIFFUSER IN ANTI-CONDENSING PVC WITH DAMPER, INSULATED PLENUM AND CENTRAL DEFLECTOR L1000mm SLOT 30mm WHITE
PWD301453	CONCEALED LINEAR DIFFUSER IN ANTI-CONDENSING PVC WITH DAMPER, INSULATED PLENUM AND CENTRAL DEFLECTOR L1000mm SLOT 30mm BLACK
PWD301460	CONCEALED LINEAR DIFFUSER IN ANTI-CONDENSING PVC WITH DAMPER, INSULATED PLENUM AND CENTRAL DEFLECTOR L1500mm SLOT 20mm WHITE
PWD301461	CONCEALED LINEAR DIFFUSER IN ANTI-CONDENSING PVC WITH DAMPER, INSULATED PLENUM AND CENTRAL DEFLECTOR L1500mm SLOT 20mm BLACK
PWD301468	CONCEALED LINEAR DIFFUSER IN ANTI-CONDENSING PVC WITH DAMPER, INSULATED PLENUM AND CENTRAL DEFLECTOR L1500mm SLOT 30mm WHITE
PWD301469	CONCEALED LINEAR DIFFUSER IN ANTI-CONDENSING PVC WITH DAMPER, INSULATED PLENUM AND CENTRAL DEFLECTOR L1500mm SLOT 30mm BLACK
PWD301476	CONCEALED LINEAR DIFFUSER IN ANTI-CONDENSING PVC WITH DAMPER, INSULATED PLENUM AND CENTRAL DEFLECTOR L2000mm SLOT 20mm WHITE
PWD301477	CONCEALED LINEAR DIFFUSER IN ANTI-CONDENSING PVC WITH DAMPER, INSULATED PLENUM AND CENTRAL DEFLECTOR L2000mm SLOT 20mm BLACK
PWD301484	CONCEALED LINEAR DIFFUSER IN ANTI-CONDENSING PVC WITH DAMPER, INSULATED PLENUM AND CENTRAL DEFLECTOR L2000mm SLOT 30mm WHITE
PWD301485	CONCEALED LINEAR DIFFUSER IN ANTI-CONDENSING PVC WITH DAMPER, INSULATED PLENUM AND CENTRAL DEFLECTOR L2000mm SLOT 30mm BLACK
PWD301693	CONCEALED LINEAR DIFFUSER IN ANTI-CONDENSING PVC WITH DAMPER, CENTRAL DEFLECTOR L600mm SLOT 30mm WHITE
PWD301694	CONCEALED LINEAR DIFFUSER IN ANTI-CONDENSING PVC WITH DAMPER, CENTRAL DEFLECTOR L600mm SLOT 30mm BLACK
PWD301697	CONCEALED LINEAR DIFFUSER IN ANTI-CONDENSING PVC WITH DAMPER, CENTRAL DEFLECTOR L800mm SLOT 30mm WHITE
PWD301698	CONCEALED LINEAR DIFFUSER IN ANTI-CONDENSING PVC WITH DAMPER, CENTRAL DEFLECTOR L800mm SLOT 30mm BLACK

DATASHEET

PWD301701	CONCEALED LINEAR DIFFUSER IN ANTI-CONDENSING PVC WITH DAMPER, CENTRAL DEFLECTOR L2000mm SLOT 30mm WHITE
PWD301702	CONCEALED LINEAR DIFFUSER IN ANTI-CONDENSING PVC WITH DAMPER, CENTRAL DEFLECTOR L1000mm SLOT 30mm BLACK
PWD301705	CONCEALED LINEAR DIFFUSER IN ANTI-CONDENSING PVC WITH DAMPER, CENTRAL DEFLECTOR L1500mm SLOT 30mm WHITE
PWD301706	CONCEALED LINEAR DIFFUSER IN ANTI-CONDENSING PVC WITH DAMPER, CENTRAL DEFLECTOR L1500mm SLOT 30mm BLACK
PWD301709	CONCEALED LINEAR DIFFUSER IN ANTI-CONDENSING PVC WITH DAMPER, CENTRAL DEFLECTOR L2000mm SLOT 30mm WHITE
PWD301710	CONCEALED LINEAR DIFFUSER IN ANTI-CONDENSING PVC WITH DAMPER, CENTRAL DEFLECTOR L2000mm SLOT 30mm BLACK

All rights relating to this publication are the exclusive property of Tecnosystemi SpA.
Tecnosystemi SpA reserves the right to make changes at any time and without notice, for technical or commercial needs.