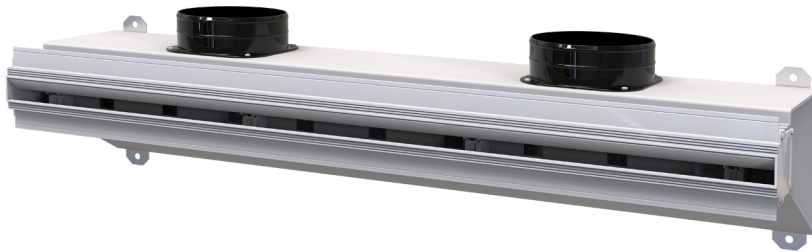


# Linear retracting diffuser in anti-condensate PVC with damper, insulated plenum and side baffles

- cod. PWD301410 - cod. PWD301411 - cod. PWD301418  
- cod. PWD301419 - cod. PWD301426 - cod. PWD301427  
- cod. PWD301434 - cod. PWD301435 - cod. PWD301442  
- cod. PWD301443 - cod. PWD301450 - cod. PWD301451  
- cod. PWD301458 - cod. PWD301459 - cod. PWD301466  
- cod. PWD301467 - cod. PWD301474 - cod. PWD301475  
- cod. PWD301482 - cod. PWD301483



## DESCRIPTION

Linear retracting diffuser in anti-condensate PVC with damper, insulated plenum and side baffles. Available with 20 or 30 mm slot in black or white.

With a unique, original design, the plenum is made of galvanised metal sheet coated with closed-cell polyethylene.

This retracting linear diffuser combines design and function, blending perfectly into any room, with uniform air diffusion and high thermal induction.

This innovative diffuser is made from PVC which, in contrast to aluminium, due to its physical characteristics does not produce condensate; this avoids the formation of fungi, mould and bacteria inside the diffuser and ensures excellent wall insulation.

The inlet collars are included in the pack and must be assembled according to installation needs.

The plenum has other built-in installation boxes for additional ducts and MVHR ducts, break as needed.

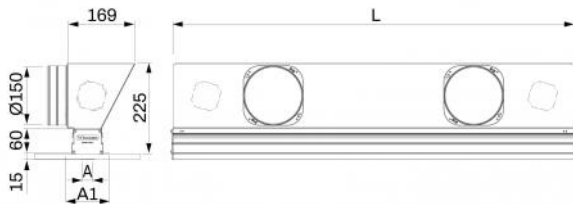
The damper is used to control the required amount of air and can be calibrated using a screwdriver.

Housings are obtained from inside the profiles to enable the mounting of adjustable PVC baffles.

By changing the baffle direction it is possible to deliver the air flow according to the place of installation, if necessary obtaining a Coanda effect.

## ACCESSORIES

- False ceiling brackets, included.
- Continuity kit, can be purchased separately.



## DIMENSIONS

CODE	L [mm]	A [mm]	A1 [mm]	COUPLING Ø150
PWD301410	600	20	100	1
PWD301411	600	20	100	1
PWD301418	600	30	110	1
PWD301419	600	30	110	1
PWD301426	800	20	100	2
PWD301427	800	20	100	2
PWD301434	800	30	110	2
PWD301435	800	30	110	2
PWD301442	1000	20	100	2
PWD301443	1000	20	100	2
PWD301450	1000	30	110	2
PWD301451	1000	30	110	2
PWD301458	1500	20	100	3
PWD301459	1500	20	100	3
PWD301466	1500	30	110	3
PWD301467	1500	30	110	3
PWD301474	2000	20	100	4
PWD301475	2000	20	100	4
PWD301482	2000	30	110	4
PWD301483	2000	30	110	4

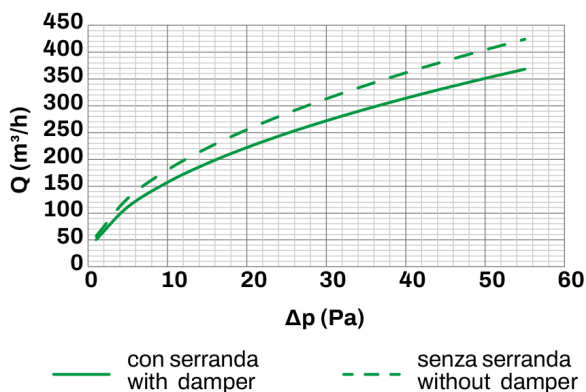
## INFORMATION

Measures are indicated in millimetres (mm), unless otherwise specified.  
 The plasterboard thickness calculated for these configurations is 12.5 mm (not included in the supply).

## TECHNICAL DATA

DIFFUSER	TECHNICAL SPECIFICATIONS
Material:	Anti-condensate PVC
Colour:	White / Black
Flammability rating:	V0
Operating temperature	-30°C ... +60°C

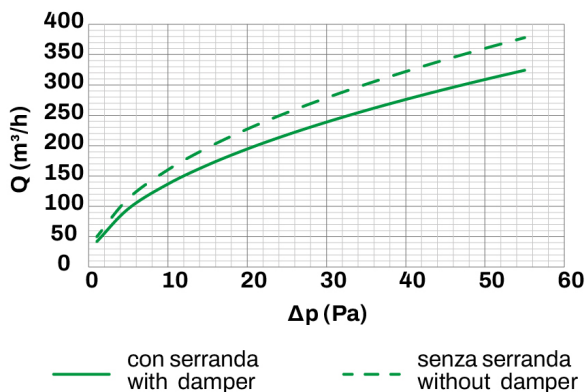
## LOAD CAPACITY AND DIFFUSER PRESSURE DROP CURVES WITH 20 mm SLOT WITH OR WITHOUT DAMPER, VERTICAL BAFFLES



**NOTE:**

If there are already dampers along the ventilation system and these need to be removed in order to improve performance, refer to the paragraph "DAMPER DISASSEMBLY INDICATIONS" indicated below and consider the performance indicated in the graph from the dotted line.

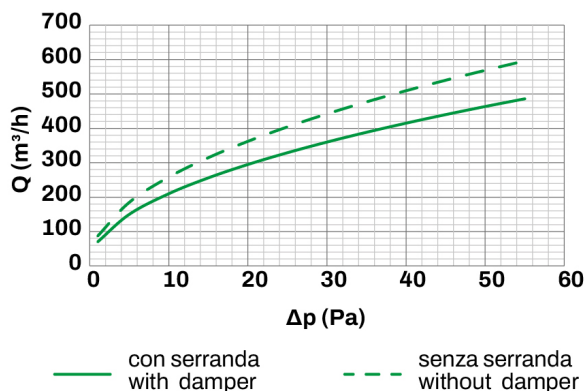
## LOAD CAPACITY AND DIFFUSER PRESSURE DROP CURVES WITH 20 mm SLOT WITH OR WITHOUT DAMPER, BAFFLES ORIENTED TO THE RIGHT OR LEFT



**NOTE:**

If there are already dampers along the ventilation system and these need to be removed in order to improve performance, refer to the paragraph "DAMPER DISASSEMBLY INDICATIONS" indicated below and consider the performance indicated in the graph from the dotted line.

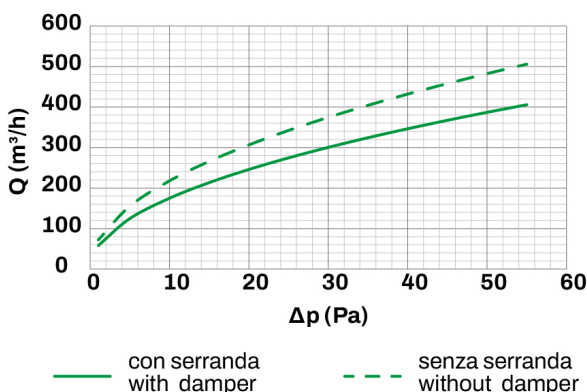
## LOAD CAPACITY AND DIFFUSER PRESSURE DROP CURVES WITH 30 mm SLOT WITH OR WITHOUT DAMPER, VERTICAL BAFFLES



**NOTE:**

If there are already dampers along the ventilation system and these need to be removed in order to improve performance, refer to the paragraph "DAMPER DISASSEMBLY INDICATIONS" indicated below and consider the performance indicated in the graph from the dotted line.

## LOAD CAPACITY AND DIFFUSER PRESSURE DROP CURVES WITH 30 mm SLOT WITH OR WITHOUT DAMPER, BAFFLES ORIENTED TO THE RIGHT OR LEFT



**NOTE:**

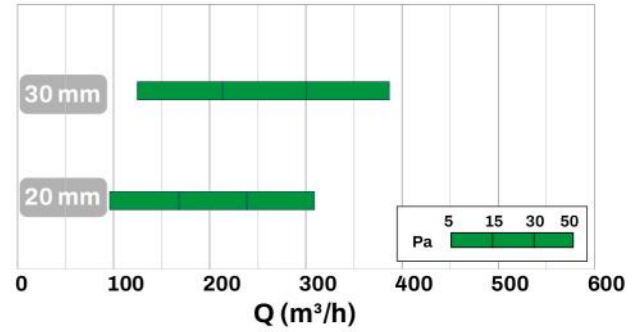
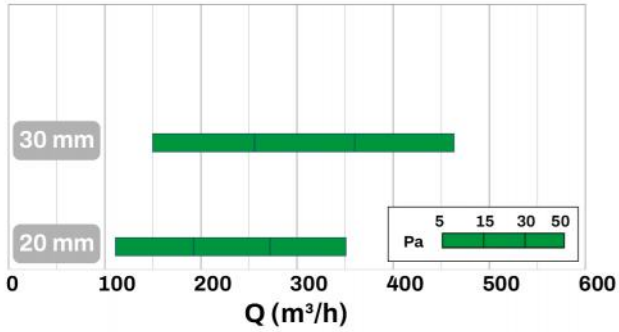
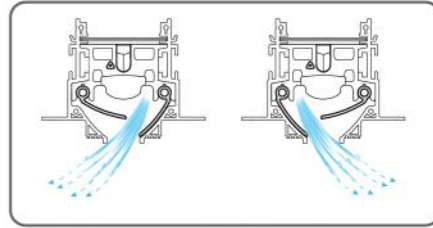
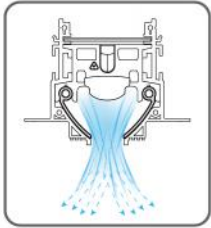
If there are already dampers along the ventilation system and these need to be removed in order to improve performance, refer to the paragraph "DAMPER DISASSEMBLY INDICATIONS" indicated below and consider the performance indicated in the graph from the dotted line.

MODEL	Ak [m²]	Qv min [m³/h]	Qv max [m³/h]	Lwa min [dB(A)]	Lwa max [dB(A)]	DP min [Pa]	DP max [Pa]
SLOT 20	0.02	155	350	32	46	10	50
SLOT 30	0.03	210	465	33	47	10	50

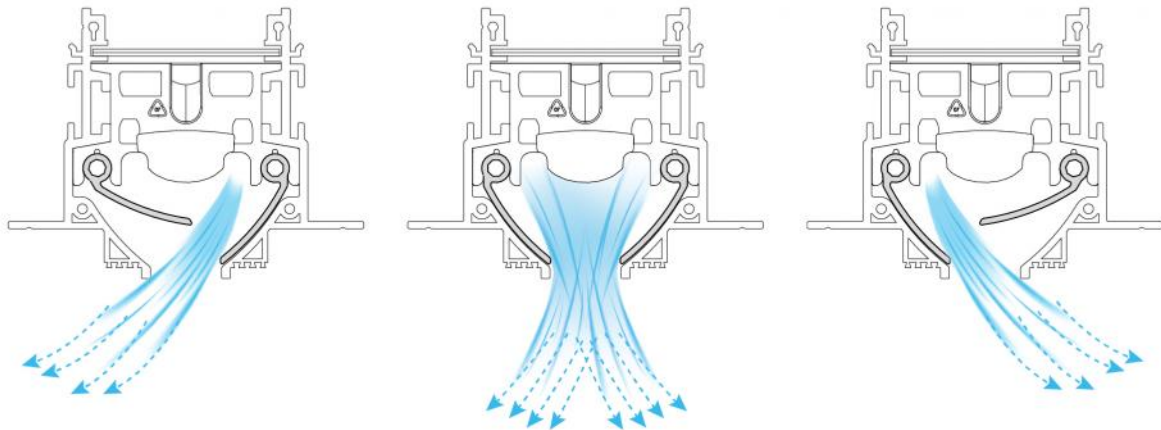
## INFORMATION

The data in the table refers to 1000 mm long linear retracting diffusers, with fully open damper and vertical baffles.

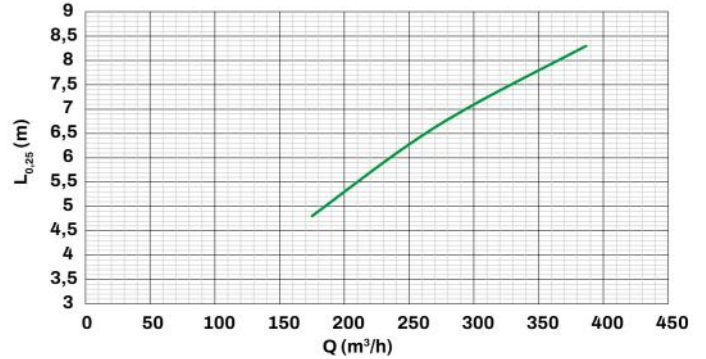
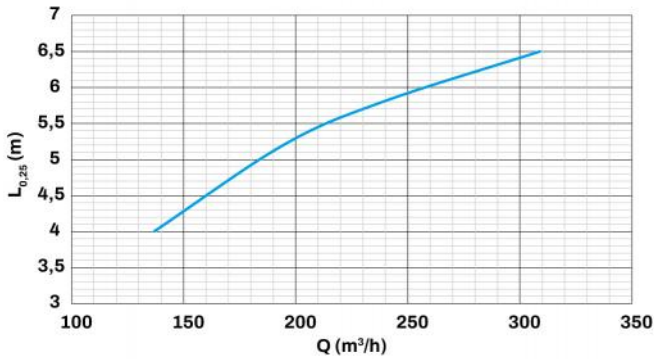
## SHORTCUT DIAGRAM



## EXAMPLE OF FLOW

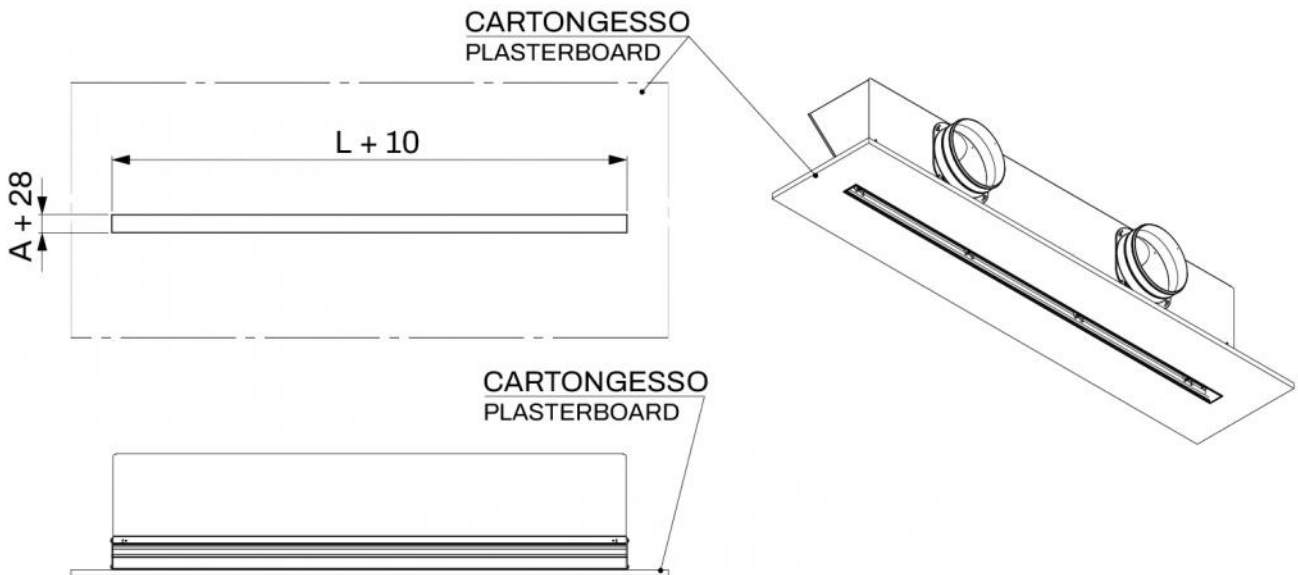


## HORIZONTAL FLOW CHART WITH BAFFLE ORIENTED TO THE RIGHT OR TO THE LEFT

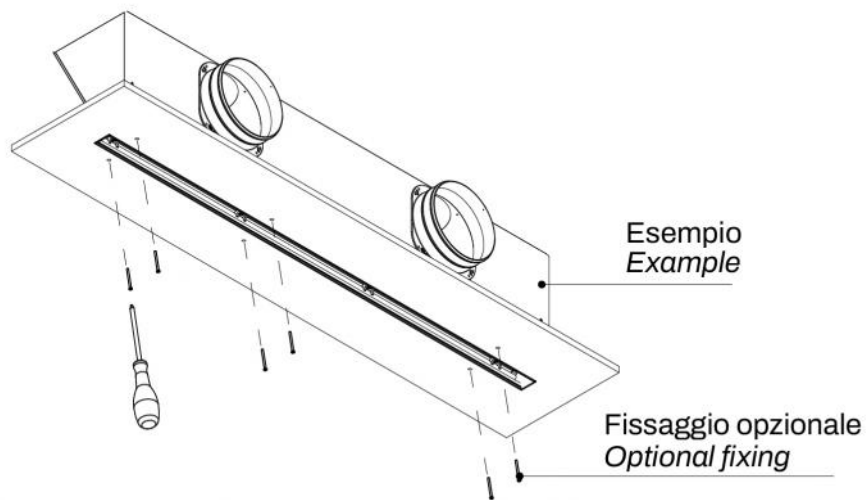
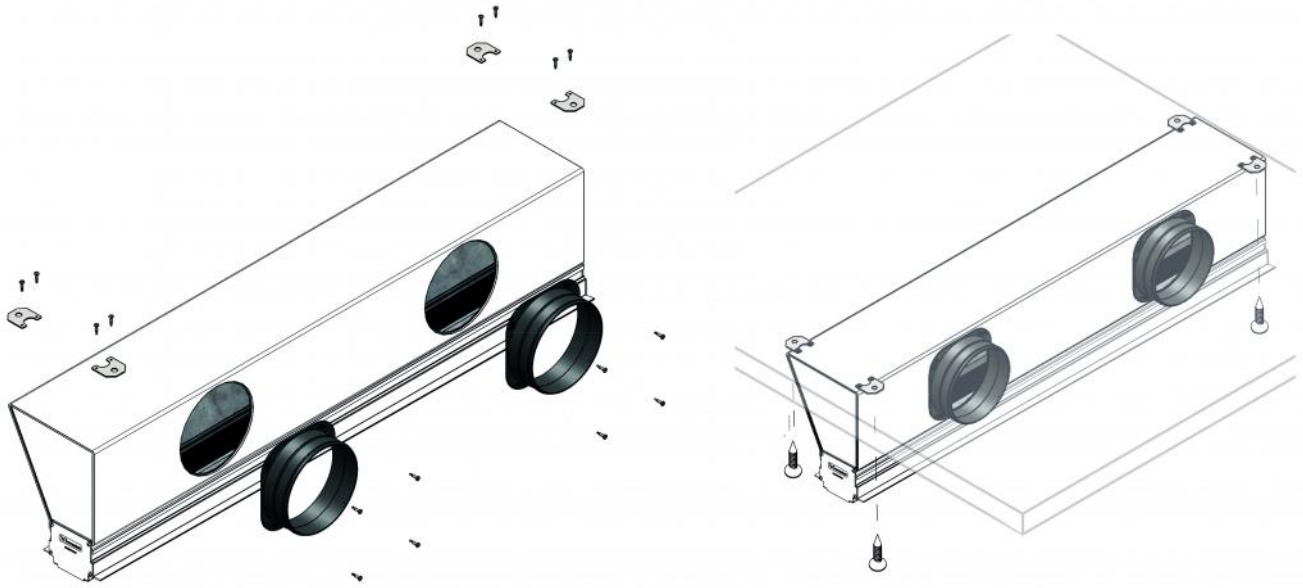


— feritoia 20 mm  
20 mm slot      — feritoia 30 mm  
30 mm slot

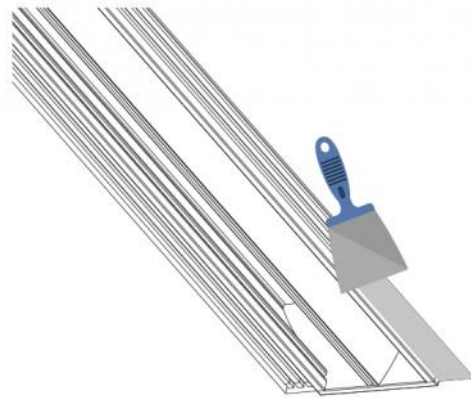
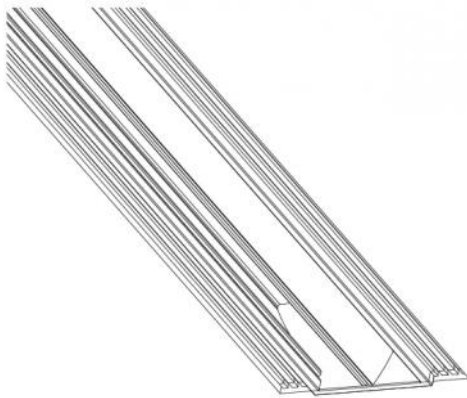
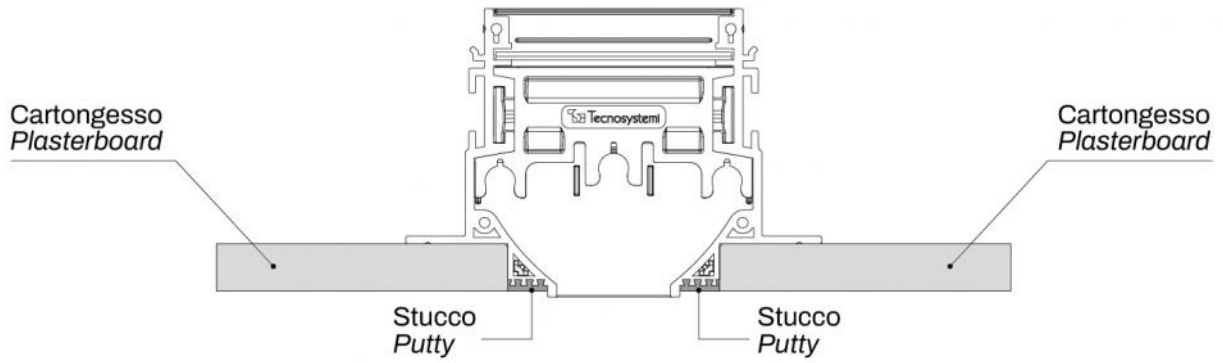
## BUILT-IN INSTALLATION BOX FOR WALLS



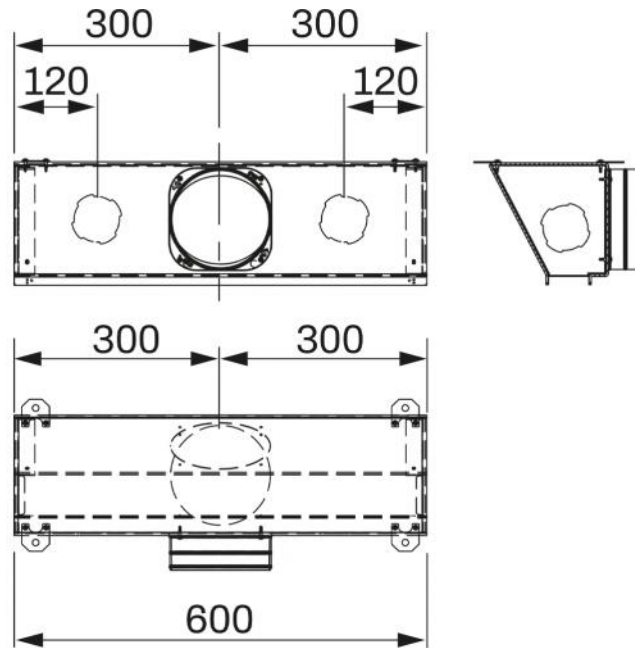
**EXAMPLE OF INSTALLATION:**



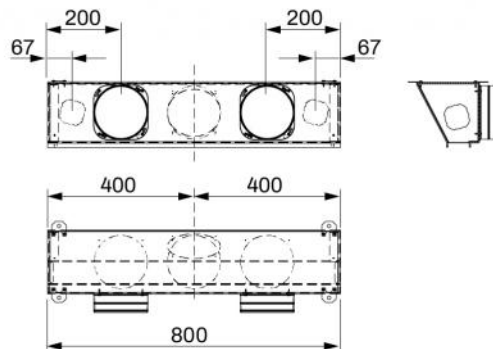
GROUTING



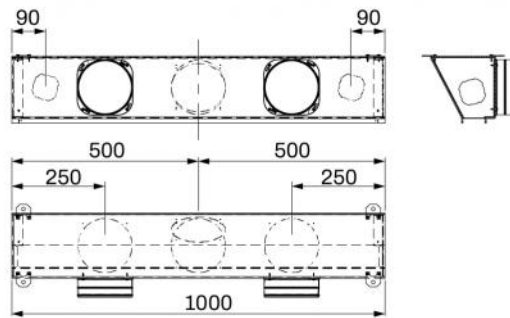
## BUILT-IN INSTALLATION BOX DIMENSIONS L. 600



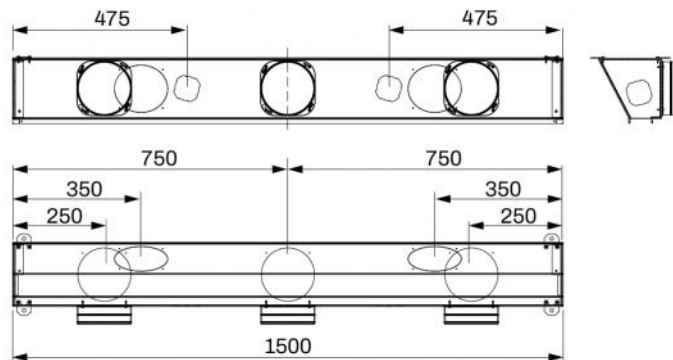
## BUILT-IN INSTALLATION BOX DIMENSIONS L. 800



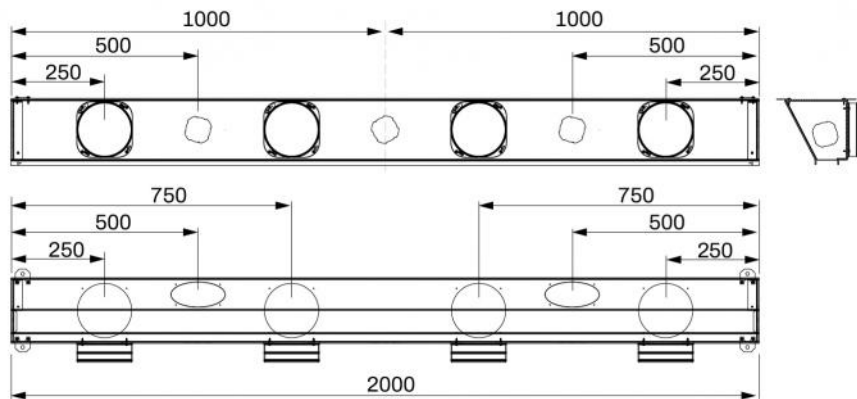
## BUILT-IN INSTALLATION BOX DIMENSIONS L. 1000



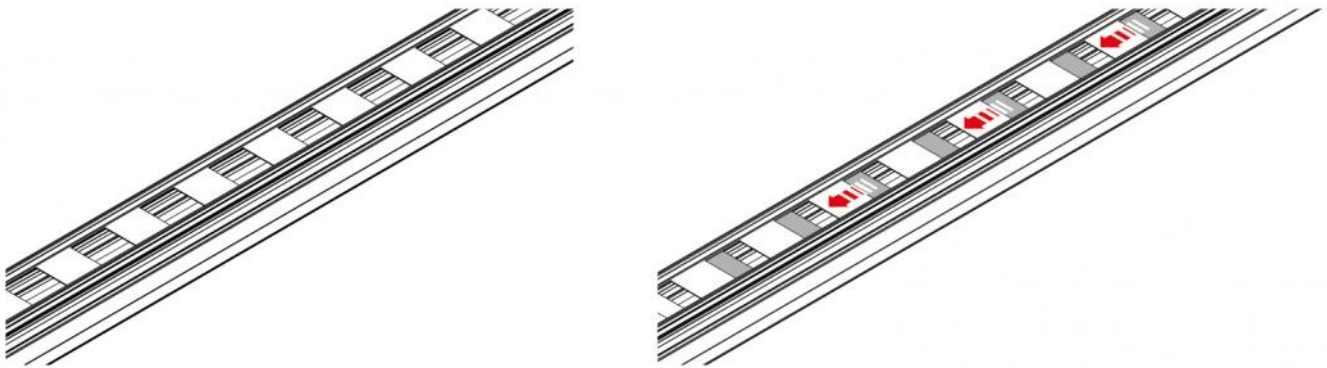
## BUILT-IN INSTALLATION BOX DIMENSIONS L. 1500



## BUILT-IN INSTALLATION BOX DIMENSIONS L. 2000

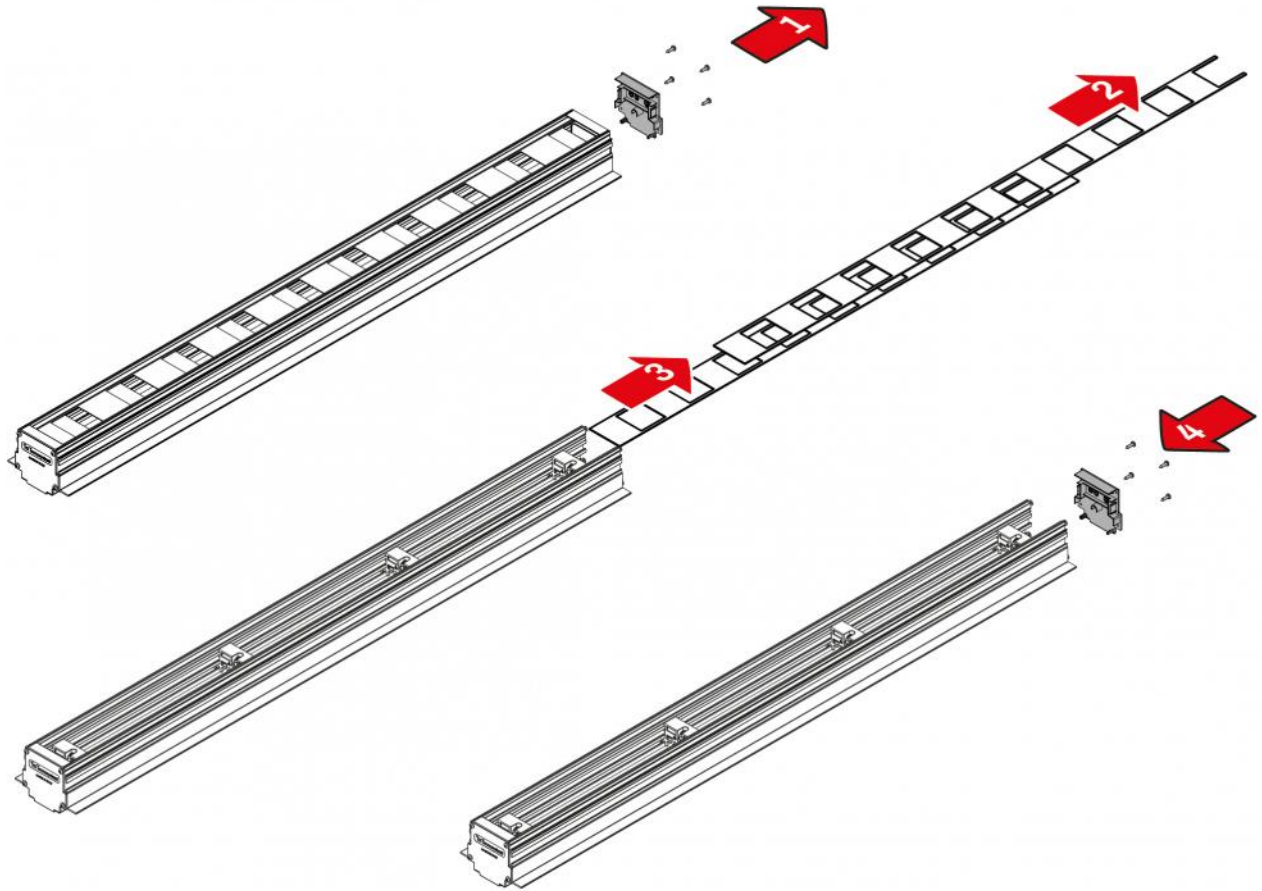


## DAMPER ADJUSTMENT

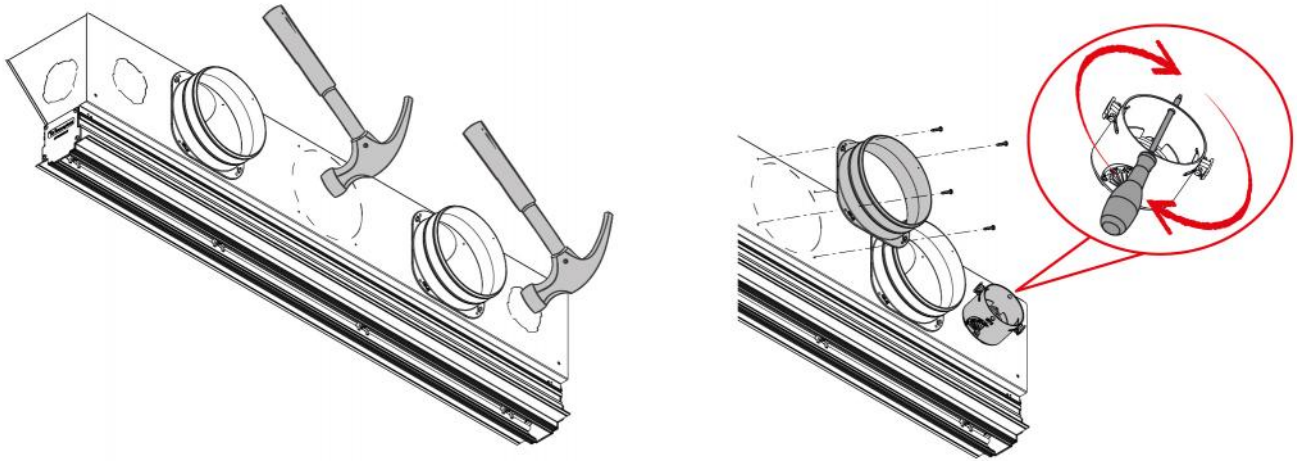


Use a screwdriver to adjust the damper, acting beneath the diffuser.

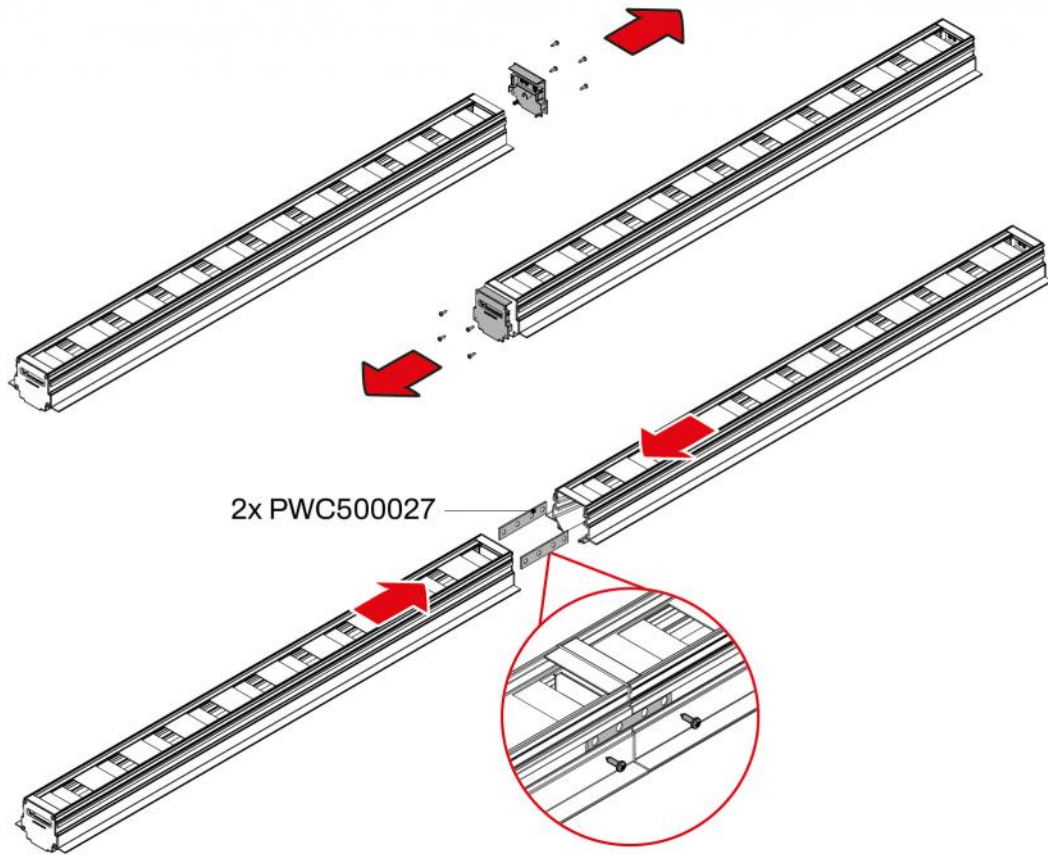
## INDICATIONS FOR THE DISASSEMBLY OF THE DAMPER



## EXAMPLE OF COLLAR AND/OR MVHR BUILT-IN INSTALLATION BOX INSTALLATION



## EXAMPLE OF CONTINUITY KIT FIXING



ITEMS

CODE	DESCRIPTION
PWD301410	CONCEALED LINEAR DIFFUSER IN ANTI-CONDENSING PVC WITH DAMPER, INSULATED PLENUM AND SIDE DEFLECTORS L600mm SLOT 20mm WHITE
PWD301411	CONCEALED LINEAR DIFFUSER IN ANTI-CONDENSING PVC WITH DAMPER, INSULATED PLENUM AND SIDE DEFLECTORS L600mm SLOT 20mm BLACK
PWD301418	CONCEALED LINEAR DIFFUSER IN ANTI-CONDENSING PVC WITH DAMPER, INSULATED PLENUM AND SIDE DEFLECTORS L600mm SLOT 30mm WHITE
PWD301419	CONCEALED LINEAR DIFFUSER IN ANTI-CONDENSING PVC WITH DAMPER, INSULATED PLENUM AND SIDE DEFLECTORS L600mm SLOT 30mm BLACK
PWD301426	CONCEALED LINEAR DIFFUSER IN ANTI-CONDENSING PVC WITH DAMPER, INSULATED PLENUM AND SIDE DEFLECTORS L800mm SLOT 20mm WHITE
PWD301427	CONCEALED LINEAR DIFFUSER IN ANTI-CONDENSING PVC WITH DAMPER, INSULATED PLENUM AND SIDE DEFLECTORS L800mm SLOT 20mm BLACK
PWD301434	CONCEALED LINEAR DIFFUSER IN ANTI-CONDENSING PVC WITH DAMPER, INSULATED PLENUM AND SIDE DEFLECTORS L800mm SLOT 30mm WHITE
PWD301435	CONCEALED LINEAR DIFFUSER IN ANTI-CONDENSING PVC WITH DAMPER, INSULATED PLENUM AND SIDE DEFLECTORS L800mm SLOT 30mm BLACK
PWD301442	CONCEALED LINEAR DIFFUSER IN ANTI-CONDENSING PVC WITH DAMPER, INSULATED PLENUM AND SIDE DEFLECTORS L1000mm SLOT 20mm WHITE
PWD301443	CONCEALED LINEAR DIFFUSER IN ANTI-CONDENSING PVC WITH DAMPER, INSULATED PLENUM AND SIDE DEFLECTORS L1000mm SLOT 20mm BLACK
PWD301450	CONCEALED LINEAR DIFFUSER IN ANTI-CONDENSING PVC WITH DAMPER, INSULATED PLENUM AND SIDE DEFLECTORS L1000mm SLOT 30mm WHITE
PWD301451	CONCEALED LINEAR DIFFUSER IN ANTI-CONDENSING PVC WITH DAMPER, INSULATED PLENUM AND SIDE DEFLECTORS L1000mm SLOT 30mm BLACK
PWD301458	CONCEALED LINEAR DIFFUSER IN ANTI-CONDENSING PVC WITH DAMPER, INSULATED PLENUM AND SIDE DEFLECTORS L1500mm SLOT 20mm WHITE
PWD301459	CONCEALED LINEAR DIFFUSER IN ANTI-CONDENSING PVC WITH DAMPER, INSULATED PLENUM AND SIDE DEFLECTORS L1500mm SLOT 20mm BLACK
PWD301466	CONCEALED LINEAR DIFFUSER IN ANTI-CONDENSING PVC WITH DAMPER, INSULATED PLENUM AND SIDE DEFLECTORS L1500mm SLOT 30mm WHITE
PWD301467	CONCEALED LINEAR DIFFUSER IN ANTI-CONDENSING PVC WITH DAMPER, INSULATED PLENUM AND SIDE DEFLECTORS L1500mm SLOT 30mm BLACK
PWD301474	CONCEALED LINEAR DIFFUSER IN ANTI-CONDENSING PVC WITH DAMPER, INSULATED PLENUM AND SIDE DEFLECTORS L2000mm SLOT 20mm WHITE
PWD301475	CONCEALED LINEAR DIFFUSER IN ANTI-CONDENSING PVC WITH DAMPER, INSULATED PLENUM AND SIDE DEFLECTORS L2000mm SLOT 20mm BLACK
PWD301482	CONCEALED LINEAR DIFFUSER IN ANTI-CONDENSING PVC WITH DAMPER, INSULATED PLENUM AND SIDE DEFLECTORS L2000mm SLOT 30mm WHITE
PWD301483	CONCEALED LINEAR DIFFUSER IN ANTI-CONDENSING PVC WITH DAMPER, INSULATED PLENUM AND SIDE DEFLECTORS L2000mm SLOT 30mm BLACK

All rights relating to this publication are the exclusive property of Tecnosystemi SpA.  
Tecnosystemi SpA reserves the right to make changes at any time and without notice, for technical or commercial needs.