

Linear retracting intake diffuser in anti-condensate PVC with insulated plenum

- cod. PWD301406 - cod. PWD301407 - cod. PWD301414
- cod. PWD301415 - cod. PWD301422 - cod. PWD301423
- cod. PWD301430 - cod. PWD301431 - cod. PWD301438
- cod. PWD301439 - cod. PWD301446 - cod. PWD301447
- cod. PWD301454 - cod. PWD301455 - cod. PWD301462
- cod. PWD301463 - cod. PWD301470 - cod. PWD301471
- cod. PWD301478 - cod. PWD301479



DESCRIPTION

Linear retracting intake diffuser in anti-condensate PVC with insulated plenum. Available with 20 or 30 mm slot in black or white.

With a unique, original design, the plenum is made of galvanised metal sheet coated with closed-cell polyethylene.

This retracting linear diffuser combines design and function, blending perfectly into any room, with uniform air diffusion and high thermal induction.

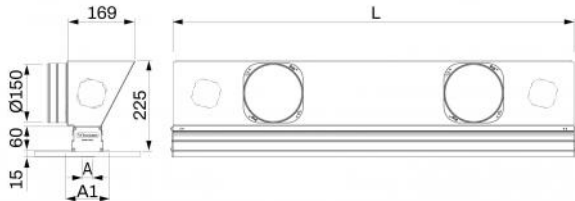
This innovative diffuser is made from PVC which, in contrast to aluminium, due to its physical characteristics does not produce condensate; this avoids the formation of fungi, mould and bacteria inside the diffuser and ensures excellent wall insulation.

The inlet collars are included in the pack and must be assembled according to installation needs.

The plenum has other built-in installation boxes for additional ducts and MVHR ducts, break as needed.

ACCESSORIES

- False ceiling brackets, included.
- Continuity kit, can be purchased separately.



DIMENSIONS

CODE	L [mm]	A [mm]	A1 [mm]	COUPLING Ø150
PWD301406	600	20	100	1
PWD301407	600	20	100	1
PWD301414	600	30	110	1
PWD301415	600	30	110	1
PWD301422	800	20	100	2
PWD301423	800	20	100	2
PWD301430	800	30	110	2
PWD301431	800	30	110	2
PWD301438	1000	20	100	2
PWD301439	1000	20	100	2
PWD301446	1000	30	110	2
PWD301447	1000	30	110	2
PWD301454	1500	20	100	3
PWD301455	1500	20	100	3
PWD301462	1500	30	110	3
PWD301463	1500	30	110	3
PWD301470	2000	20	100	4
PWD301471	2000	20	100	4
PWD301478	2000	30	110	4
PWD301479	2000	30	110	4

INFORMATION

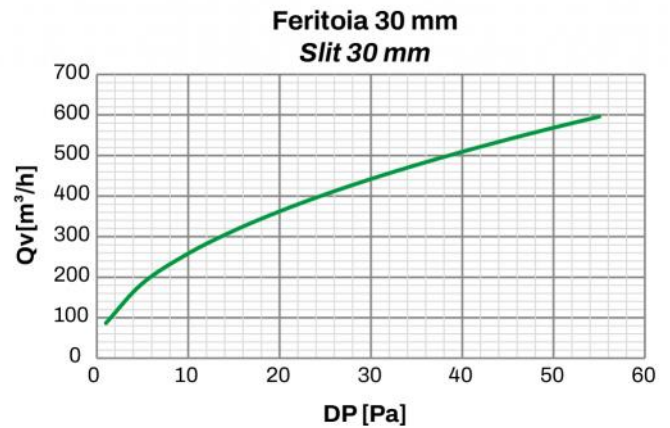
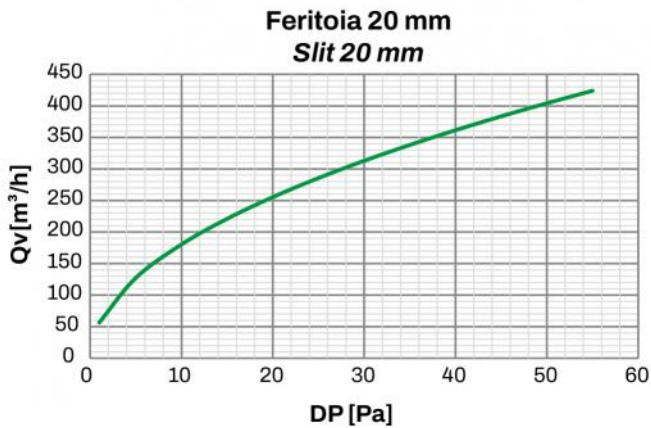
Measures are indicated in millimetres (mm), unless otherwise specified.

The plasterboard thickness calculated for these configurations is 12.5 mm (not included in the supply).

TECHNICAL DATA

DIFFUSER	TECHNICAL SPECIFICATIONS
Material:	Anti-condensate PVC
Colour:	White / Black
Flammability rating:	V0
Operating temperature	-30°C ... +60°C

LOAD CAPACITY AND PRESSURE DROP CURVES

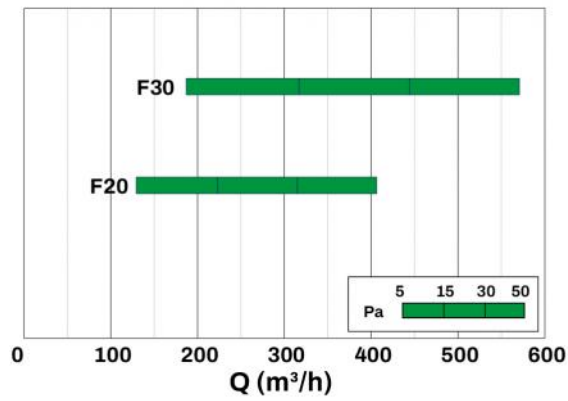


MODEL	Ak [m²]	Qv min [m³/h]	Qv max [m³/h]	Lwa min [dB(A)]	Lwa max [dB(A)]	DP min [Pa]	DP max [Pa]
SLOT 20	0.02	180	400	32	46	10	50
SLOT 30	0.03	260	570	33	47	10	50

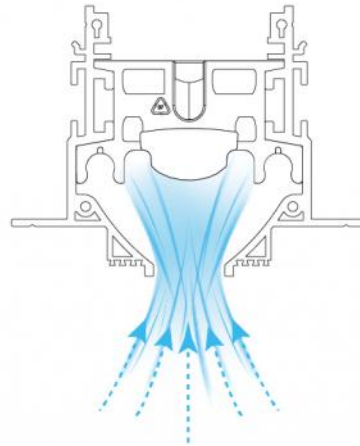
INFORMATION

The table data refer to 1000 mm long linear retracting diffusers

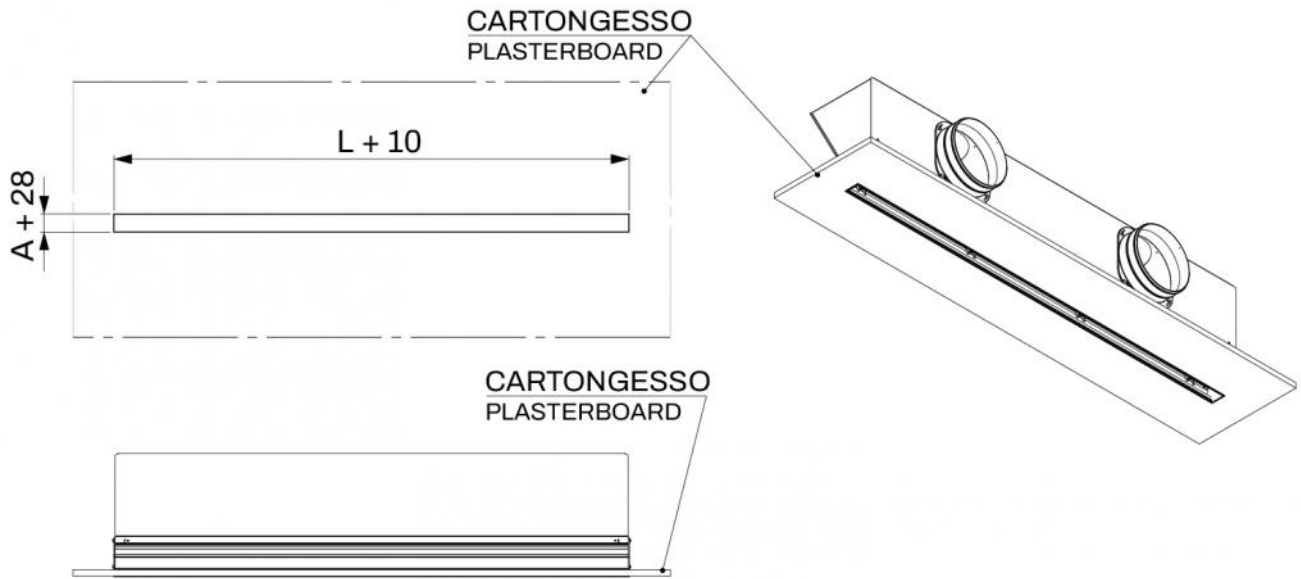
SHORTCUT DIAGRAM



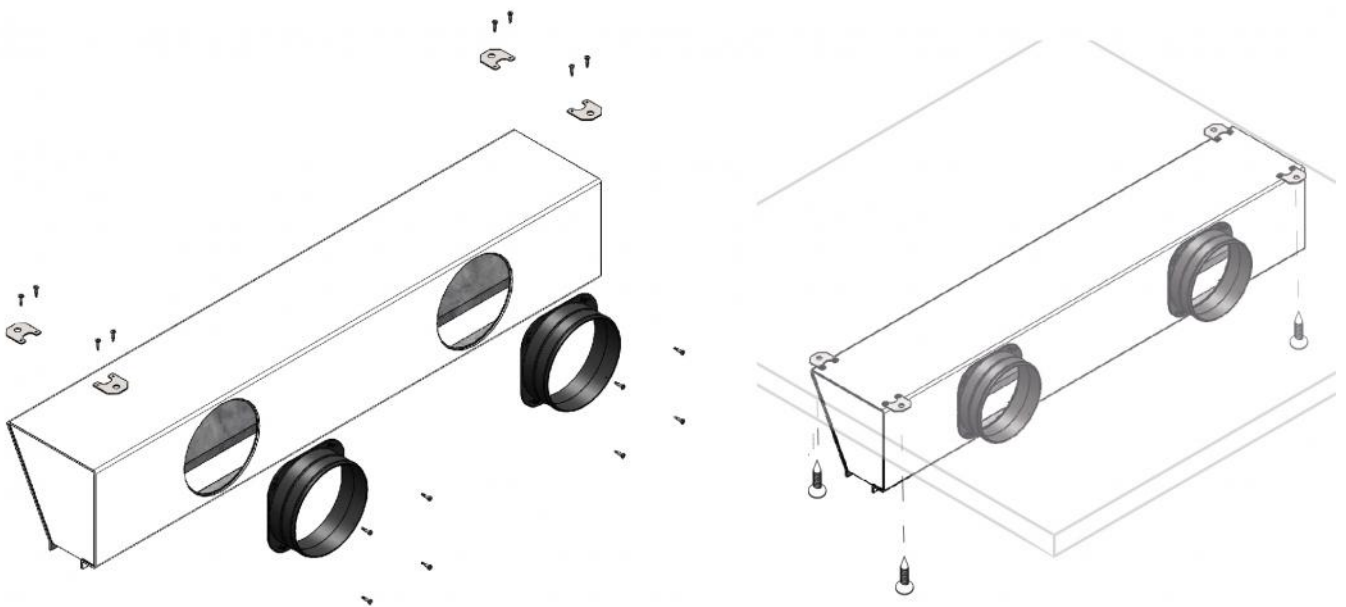
EXAMPLE OF OPERATION

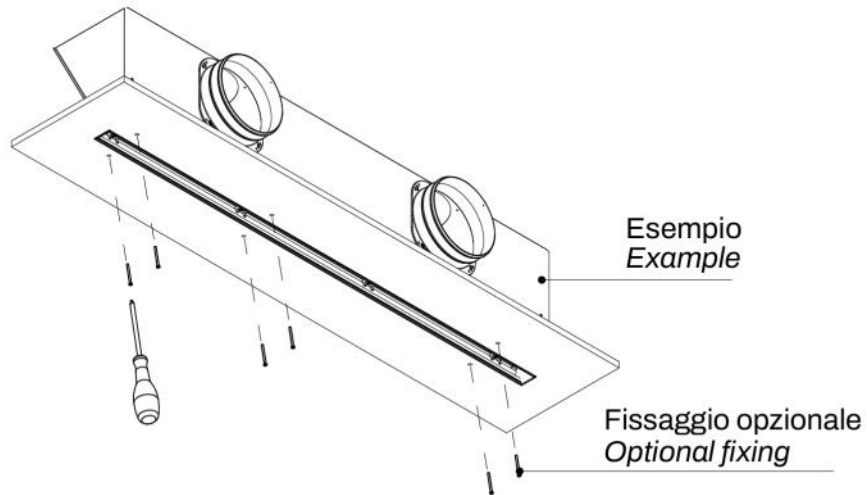


BUILT-IN INSTALLATION BOX FOR WALLS

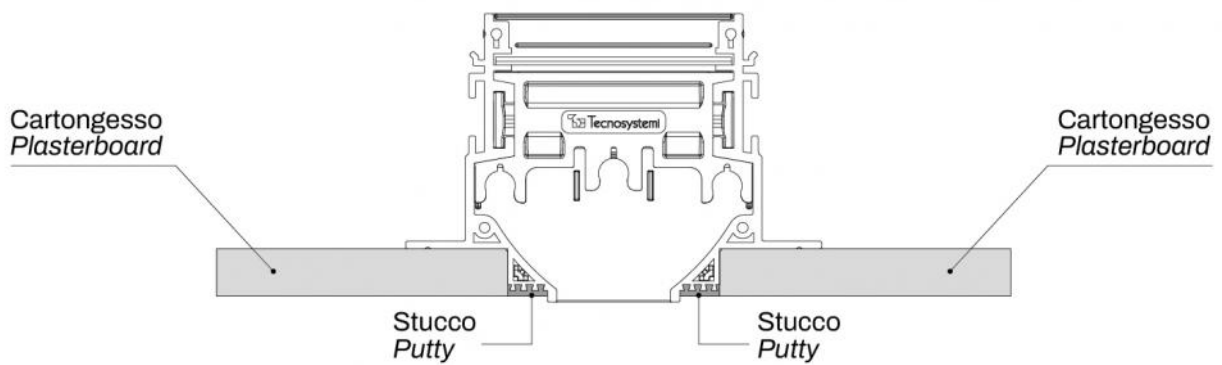


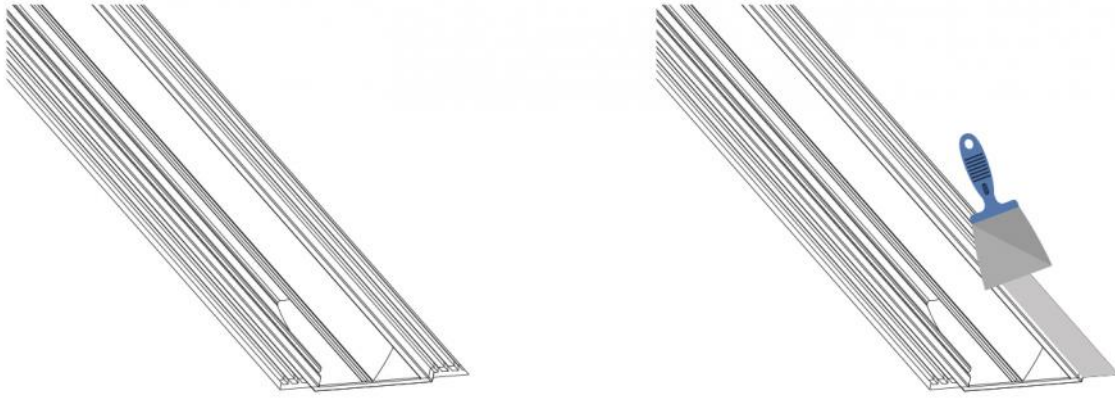
EXAMPLE OF INSTALLATION:



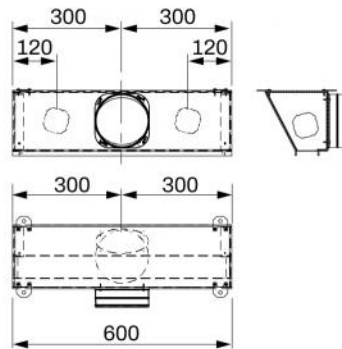


GROUTING

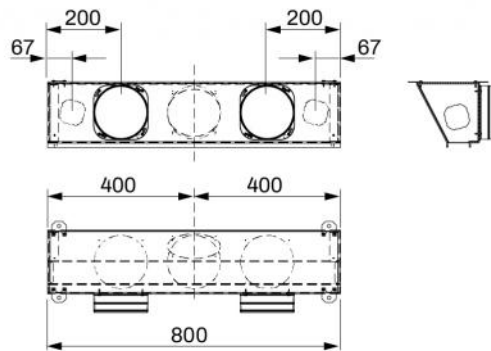




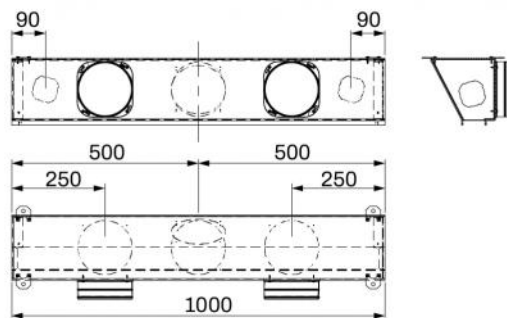
BUILT-IN INSTALLATION BOX DIMENSIONS L. 600



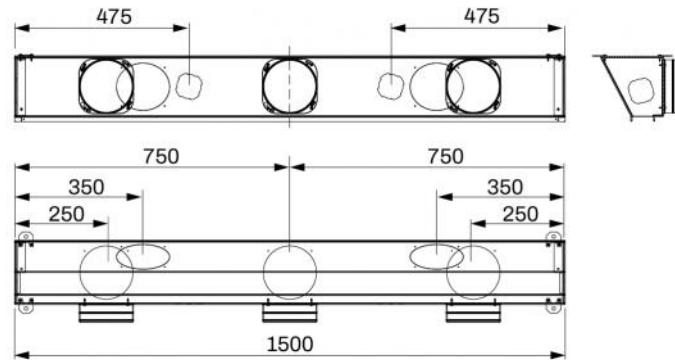
BUILT-IN INSTALLATION BOX DIMENSIONS L. 800



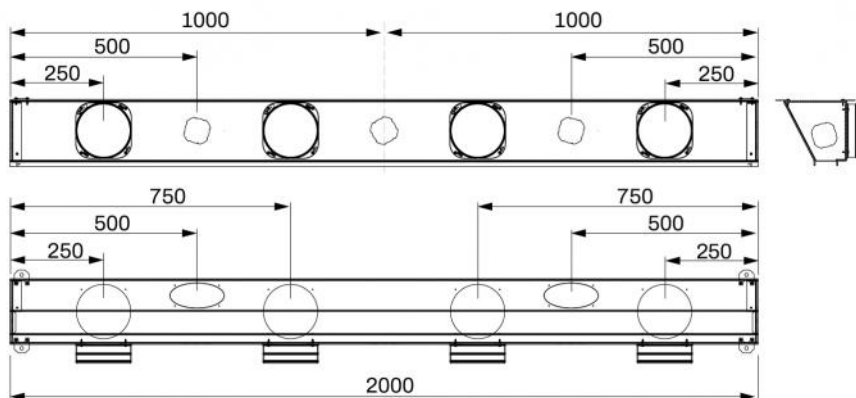
BUILT-IN INSTALLATION BOX DIMENSIONS L. 1000



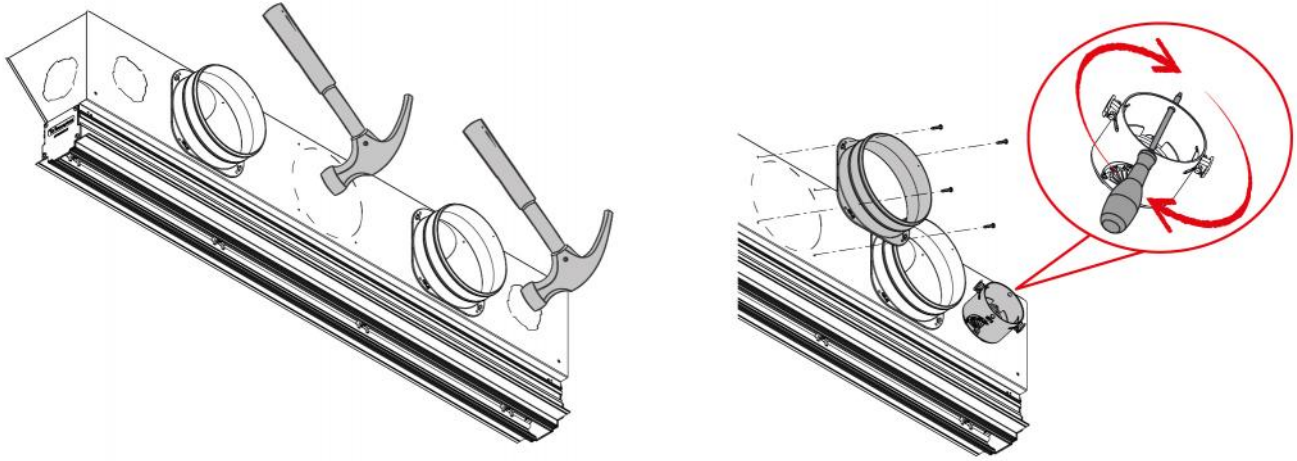
BUILT-IN INSTALLATION BOX DIMENSIONS L. 1500



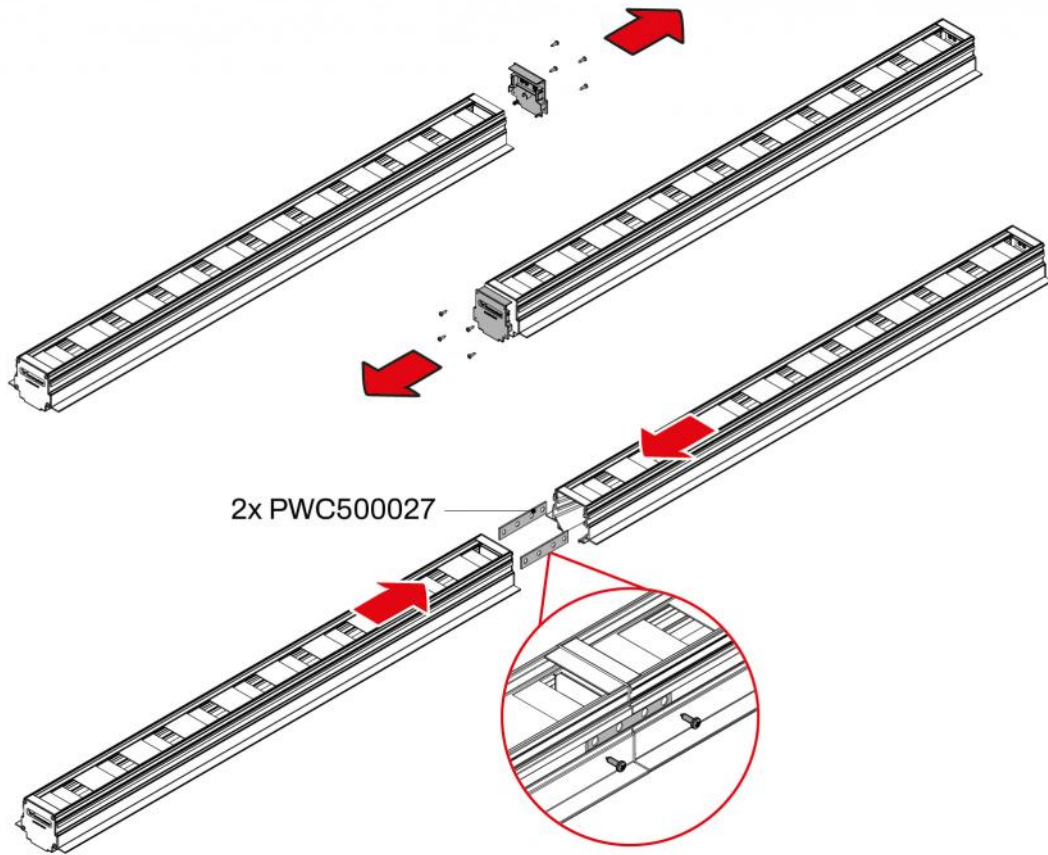
BUILT-IN INSTALLATION BOX DIMENSIONS L. 2000



EXAMPLE OF COLLAR AND/OR MVHR BUILT-IN INSTALLATION BOX INSTALLATION



EXAMPLE OF CONTINUITY KIT FIXING



ITEMS

CODE	DESCRIPTION
PWD301406	CONCEALED LINEAR DIFFUSER IN ANTI-CONDENSING PVC WITH INSULATED PLENUM L600mm SLOT 20mm WHITE
PWD301407	CONCEALED LINEAR DIFFUSER IN ANTI-CONDENSING PVC WITH INSULATED PLENUM L600mm SLOT 20mm BLACK
PWD301414	CONCEALED LINEAR DIFFUSER IN ANTI-CONDENSING PVC WITH INSULATED PLENUM L600mm SLOT 30mm WHITE
PWD301415	CONCEALED LINEAR DIFFUSER IN ANTI-CONDENSING PVC WITH INSULATED PLENUM L600mm SLOT 30mm BLACK
PWD301422	CONCEALED LINEAR DIFFUSER IN ANTI-CONDENSING PVC WITH INSULATED PLENUM L800mm SLOT 20mm WHITE
PWD301423	CONCEALED LINEAR DIFFUSER IN ANTI-CONDENSING PVC WITH INSULATED PLENUM L800mm SLOT 20mm BLACK
PWD301430	CONCEALED LINEAR DIFFUSER IN ANTI-CONDENSING PVC WITH INSULATED PLENUM L800mm SLOT 30mm WHITE
PWD301431	CONCEALED LINEAR DIFFUSER IN ANTI-CONDENSING PVC WITH INSULATED PLENUM L800mm SLOT 30mm BLACK
PWD301438	CONCEALED LINEAR DIFFUSER IN ANTI-CONDENSING PVC WITH INSULATED PLENUM L1000mm SLOT 20mm WHITE
PWD301439	CONCEALED LINEAR DIFFUSER IN ANTI-CONDENSING PVC WITH INSULATED PLENUM L1000mm SLOT 20mm BLACK
PWD301446	CONCEALED LINEAR DIFFUSER IN ANTI-CONDENSING PVC WITH INSULATED PLENUM L1000mm SLOT 30mm WHITE
PWD301447	CONCEALED LINEAR DIFFUSER IN ANTI-CONDENSING PVC WITH INSULATED PLENUM L1000mm SLOT 30mm BLACK
PWD301454	CONCEALED LINEAR DIFFUSER IN ANTI-CONDENSING PVC WITH INSULATED PLENUM L1500mm SLOT 20mm WHITE
PWD301455	CONCEALED LINEAR DIFFUSER IN ANTI-CONDENSING PVC WITH INSULATED PLENUM L1500mm SLOT 20mm BLACK
PWD301462	CONCEALED LINEAR DIFFUSER IN ANTI-CONDENSING PVC WITH INSULATED PLENUM L1500mm SLOT 30mm WHITE
PWD301463	CONCEALED LINEAR DIFFUSER IN ANTI-CONDENSING PVC WITH INSULATED PLENUM L1500mm SLOT 30mm BLACK
PWD301470	CONCEALED LINEAR DIFFUSER IN ANTI-CONDENSING PVC WITH INSULATED PLENUM L2000mm SLOT 20mm WHITE
PWD301471	CONCEALED LINEAR DIFFUSER IN ANTI-CONDENSING PVC WITH INSULATED PLENUM L2000mm SLOT 20mm BLACK
PWD301478	CONCEALED LINEAR DIFFUSER IN ANTI-CONDENSING PVC WITH INSULATED PLENUM L2000mm SLOT 30mm WHITE
PWD301479	CONCEALED LINEAR DIFFUSER IN ANTI-CONDENSING PVC WITH INSULATED PLENUM L2000mm SLOT 30mm BLACK

All rights relating to this publication are the exclusive property of Tecnosystemi SpA.
 Tecnosystemi SpA reserves the right to make changes at any time and without notice, for technical or commercial needs.