

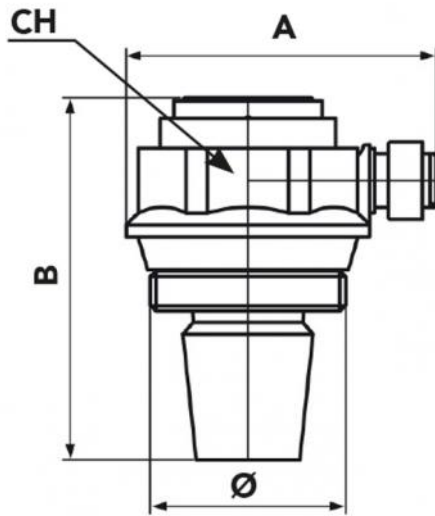
Automatic air vent valve with cap for nickel-plated brass radiator

- cod. 26200140 - cod. 26200150



TECHNICAL SPECIFICATIONS:

- Body in CW617N brass
- With moving parts
- Float in PP synthetic material
- Max operating temperature +110°C



DIMENSIONS

CODE	A [mm]	B [mm]	WEIGHT [gr]
26200140	50	60	115
26200150	50	60	115

ITEMS

CODE	DESCRIPTION
26200140	AUTOMATIC RELIEF VALVE FOR BRASS RADIATOR 1" DX
26200150	AUTOMATIC RELIEF VALVE FOR BRASS RADIATOR 1" SX

All rights relating to this publication are the exclusive property of Tecnosystemi SpA.
 Tecnosystemi SpA reserves the right to make changes at any time and without notice, for technical or commercial needs.