

GATEWAY MVHR

MODBUS - WIFI Communication Device

- cod. GAD100017



Smartphone / Tablet non fornito
Smartphone / Tablet not supplied



Disponibile / Available

Available on the

App Store

GET IT ON

Google Play

DESCRIPTION

MODBUS communication device between the TECNOSYSTEMI ventilation units and the Tecnosystemi App operating both locally and remotely.

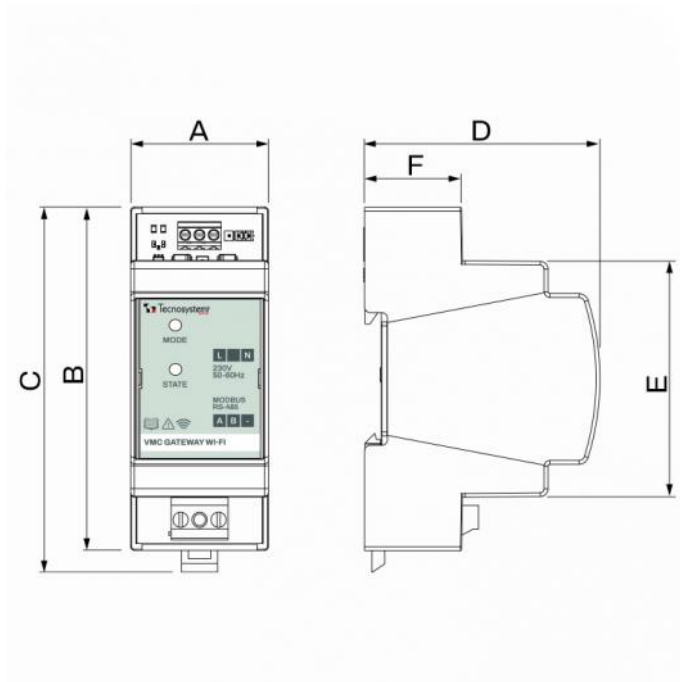
The gateway is made of a self-extinguishing plastic material (PC/ABS).

The device is fitted with a warning LED and a configuration and mode change button between the ventilation unit and the App.

The gateway is compatible with Tecnosystemi TS-HRVU and TS-ERVU ventilation units, excluding the 120 model.

TECHNICAL SPECIFICATIONS

	TECHNICAL SPECIFICATIONS
Power supply:	100-250Vac 50-60 Hz
Insulation class:	II
Diagnostic indications:	1 LED
Operating temperature:	-10°C ÷ +50°C
Storage temperature:	-20°C ÷ +70°C
Protection rating:	IP20
Assembly:	35 mm DIN rail

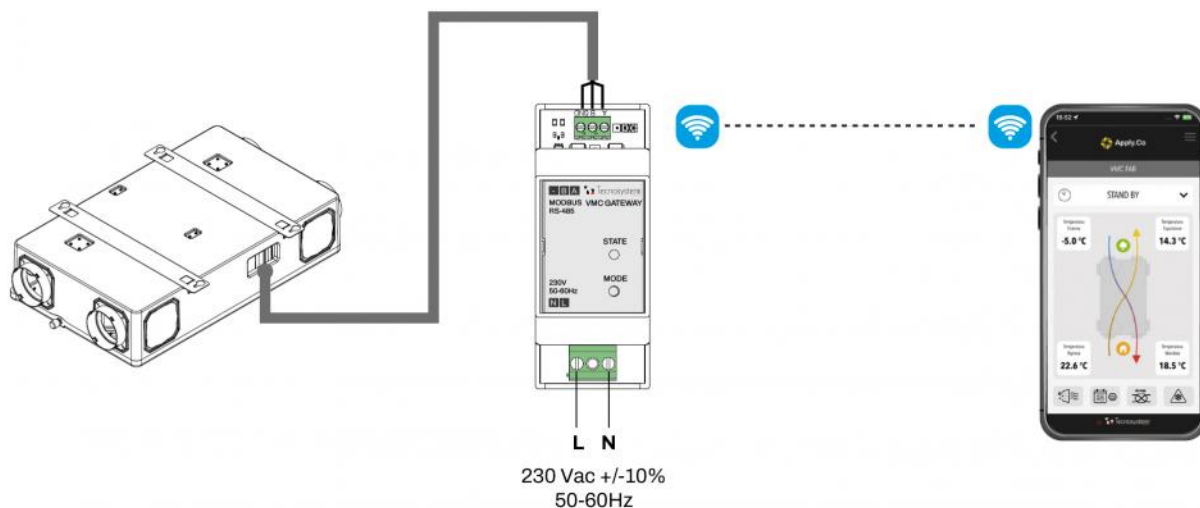
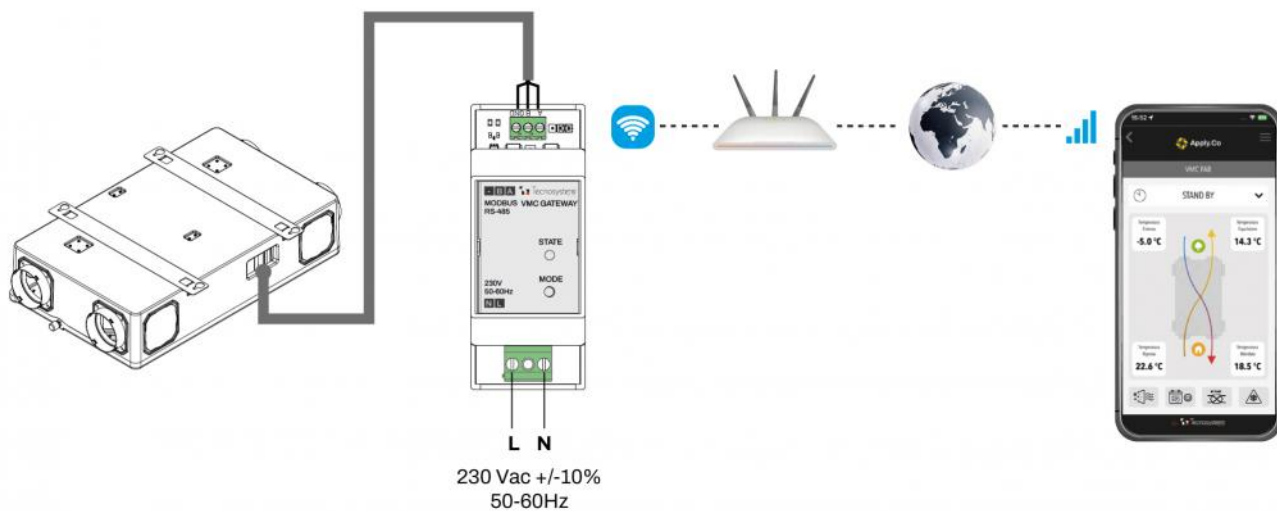


DIMENSIONS

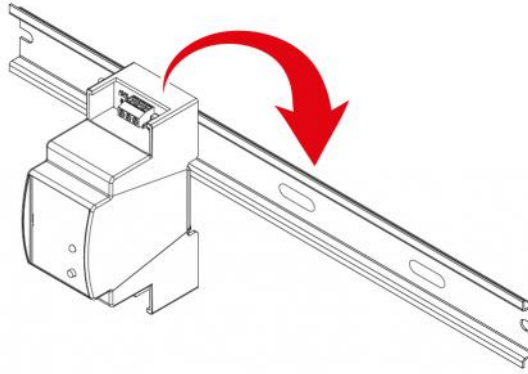
CODE	A [mm]	B [mm]	C [mm]	D [mm]	E [mm]	F [mm]
GAD100017	35	90	95	62		25

SCREEN-PRINTED MODULE DIMENSIONS

ELECTRICAL CONNECTIONS



ASSEMBLY



NOTE

Installation within a technical room / electric panel is mandatory.

ITEMS

CODE	DESCRIPTION
GAD100017	GATEWAY VMC TS HRVU - ERVU

All rights relating to this publication are the exclusive property of Tecnosystemi SpA.
Tecnosystemi SpA reserves the right to make changes at any time and without notice, for technical or commercial needs.