

TS-Vertical flow

Ductable sensible wall-mounted heat recovery unit

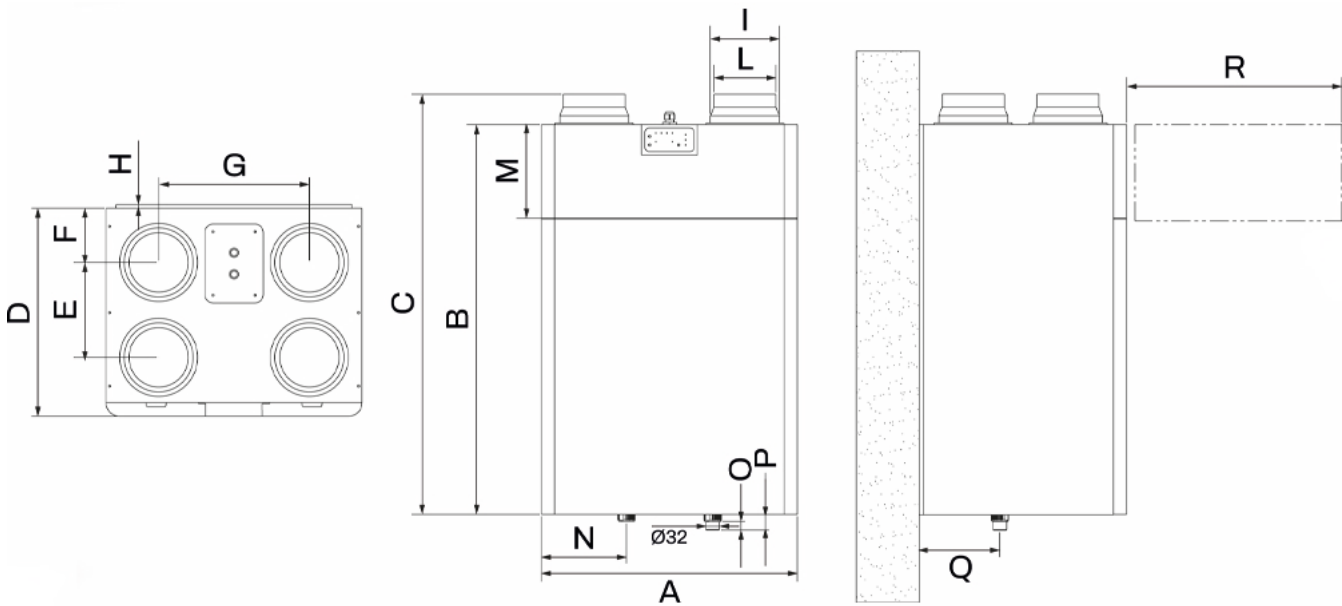
- cod. ACC100009 - cod. ACC100006



TECHNICAL SPECIFICATIONS:

- Constant-flow EC brushless motors
- High-efficiency sensible heat exchanger, removable
- Mechanical bypass with electronic actuation
- For residential applications
- Self-supporting frame in painted galvanized sheet metal with internal expanded polypropylene (EPP) insulation
- Digital 5-button touch screen remote control, interfacing with standard WIFI module
- BMS compatible VIA RS485 modbus protocol
- Extractable filters
- Mounting brackets included
- Optional F7 filter and CO₂ sensor

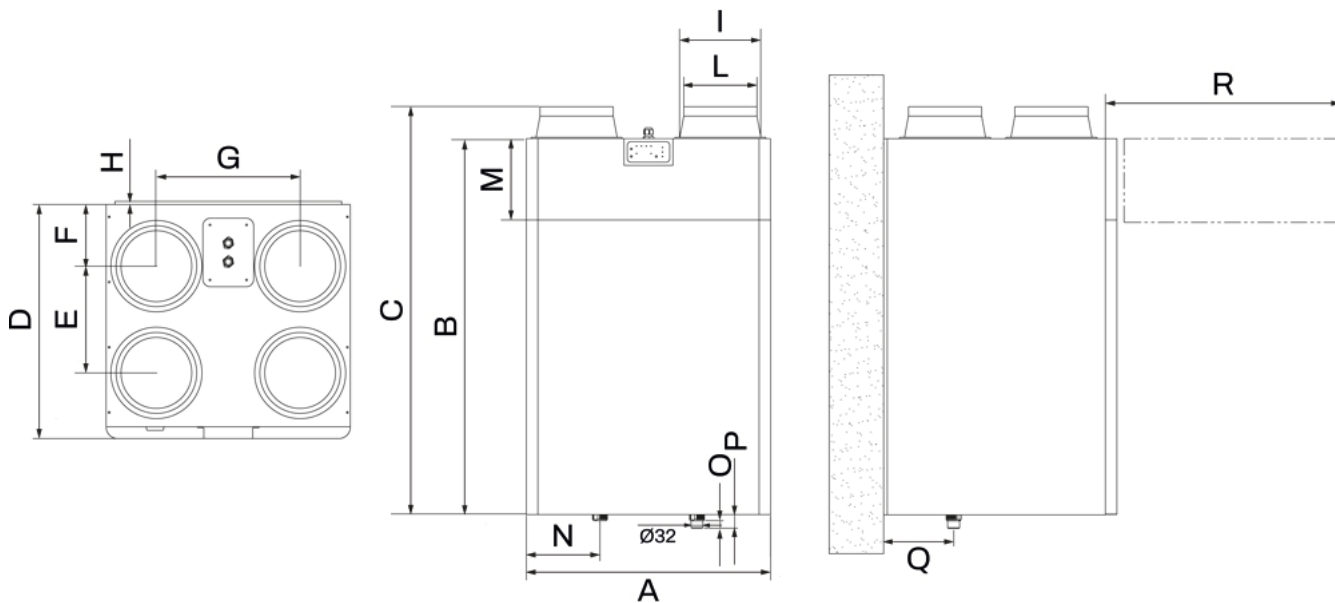
DIMENSIONS cod. ACC100009



DIMENSIONS cod. ACC100009

CODE	MOD.	A [mm]	B [mm]	C [mm]	D [mm]	E [mm]	F [mm]	G [mm]	H [mm]	I [mm]	L [mm]	M [mm]	N [mm]	O [mm]	P [mm]	Q [mm]	R [mm]
ACC100009	350 m³/h	595	905	975	480	220	125.5	350	7	Ø 160	Ø 144	217	197	20	36.5	195	500

DIMENSIONS cod. ACC100006



DIMENSIONS cod. ACC100006

CODE	MOD.	A [mm]	B [mm]	C [mm]	D [mm]	E [mm]	F [mm]	G [mm]	H [mm]	I [mm]	L [mm]	M [mm]	N [mm]	O [mm]	P [mm]	Q [mm]	R [mm]
ACC100006	500 m³/h	655	1005	1085	625.5	285	164.5	385	7	Ø 216	Ø 196	217	197	20	36.5	195	600

TECHNICAL DATA

MODELS		
	TS-VERTICAL FLOW 350	TS-VERTICAL FLOW 500
	ACC100009	ACC100006
ELECTRICAL OPERATING DATA		
Power supply	230 V – 50 Hz	
Maximum power(W)	280	420
Maximum current (A)	1.9	2.9
Insulation class	Class 1	
IP rating	IP22	
Operating temperature in the installation compartment (°C)	-10°C ÷ +40°C	
Relative operating humidity (%RH at 25° C)	< 85 %	
Aerodynamic and thermal performance (*)		
Volumetric flow rate @100 Pa (m³/h)	367	529
Heat Efficiency (%)	87	88
Energy rating (SEC temperate climate)	A	
Sound Power LWA (dB(A))	45	47
Type of heat recovery unit	Counterflow sensible heat exchanger HRC1a	
Bypass	Electronically operated mechanical system	
Air filters as standard	G4	
Additional air filters (upon request)	F7	
CONSTRUCTION AND INSTALLATION FEATURES		
Type of motors	Brushless EC with constant flow	
Body material	Self-supporting frame made of painted galvanized sheet metal with internal insulation in expanded polypropylene (EPP)	
Dimensions l x h x p (mm)	595x905x487	655x1005x631,5
Weight (kg)	40	50
Aeraulic fittings (Ø mm)	160	200
Condensate drain (Ø mm)	32	
Reversible mounting	yes	
CONTROLS		
Remote control	Digital 5-button touch screen control, interfacing with standard WIFI module	
Weekly programming	Standard / Factory-Fitted	
BMS control	MODBUS - RS485	

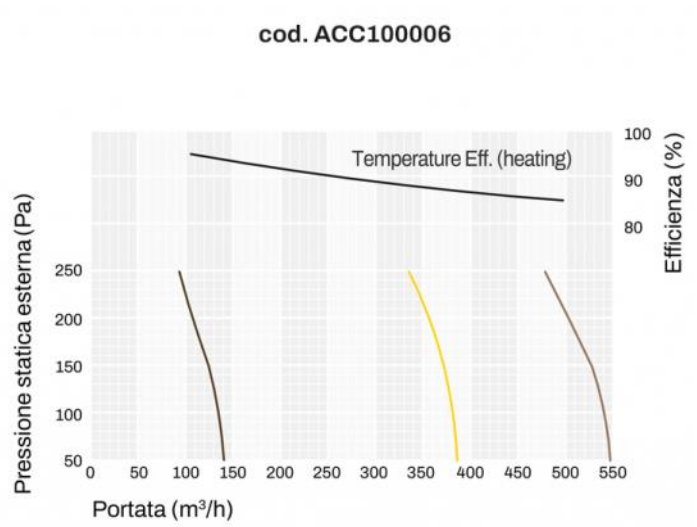
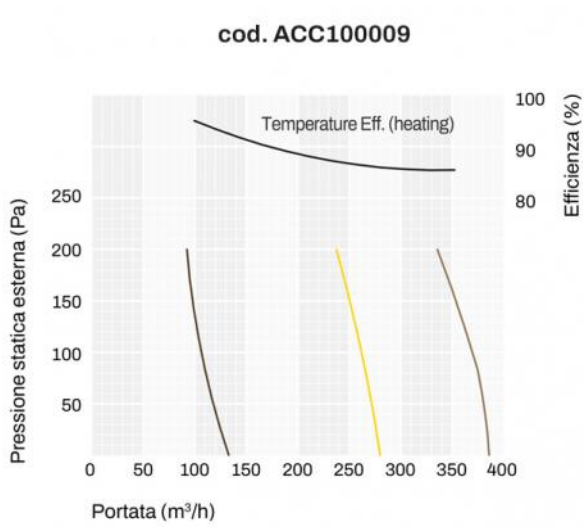
(*) In accordance with the standard EN 1314-7:2021

ECODESIGN DATA

Supplier name or brand:	Tecnosystemi	
Supplier model identifier:	TS-VERTICAL FLOW 350	TS-VERTICAL FLOW 500
Specific energy consumption class (temperate zone)	A	
Specific energy consumption (temperate zone)	-40.4 kWh/(m ² a)	-40.5 kWh/(m ² a)
Specific energy consumption (cold zone)	-79.4 kWh/(m ² a)	-79.6 kWh/(m ² a)
Specific energy consumption (warm zone)	-15.5 kWh/(m ² a)	
Type	Bidirectional UVR	
Driving type	variable speed	
Type of heat recovery system	Recovery	
Thermal Efficiency of Heat Recovery	87 %	88 %
Maximum capacity	367 m ³ /h	529 m ³ /h
Electrical power input at maximum airflow:	272 W	412 W
Sound power level (LWA)	45 dB(A)	47 dB(A)
Reference flow rate	0.071 m ³ /s	0.103 m ³ /s
Reference pressure difference	50 Pa	
Specific Power Input (SPI)	0.41 W/(m ³ /h)	0.42 W/(m ³ /h)
Type of control	Local environmental control	
Control factor	0,65	
Internal leakage (%)	< 5 %	
External leakage (%)	< 5 %	
Segnale visivo di avvertimento relativo al filtro:	Signal on the local control display	
Internet address with the pre-assembly and disassembly instructions:	www.tecnosystemi.com	
Annual electricity consumption (AEC) (temperate climate);	262 kWh electricity/year	267 kWh electricity/year
Annual heating savings (AHS) (temperate climate)	4631 kWh primary energy/year	4652 kWh energia primaria/anno
Annual heating savings (AHS) (cold climate)	9060 kWh primary energy/year	9100 kWh energia primaria/anno
Annual heating savings (AHS) (warm climate)	2094 kWh primary energy/year	2104 kWh primary energy/year

Performance measured according to standard EN 13141-7:2021

CHARACTERISTIC CURVES:



ITEMS

CODE	DESCRIPTION
ACC100009	HEAT RECOVERY UNIT TS-VERTICAL FLOW 350
ACC100006	HEAT RECOVERY UNIT TS-VERTICAL FLOW 500

All rights relating to this publication are the exclusive property of Tecnosystemi SpA. Tecnosystemi SpA reserves the right to make changes at any time and without notice, for technical or commercial needs.