

TS-Vertical flow E

Ductable enthalpy wall-mounted heat recovery unit

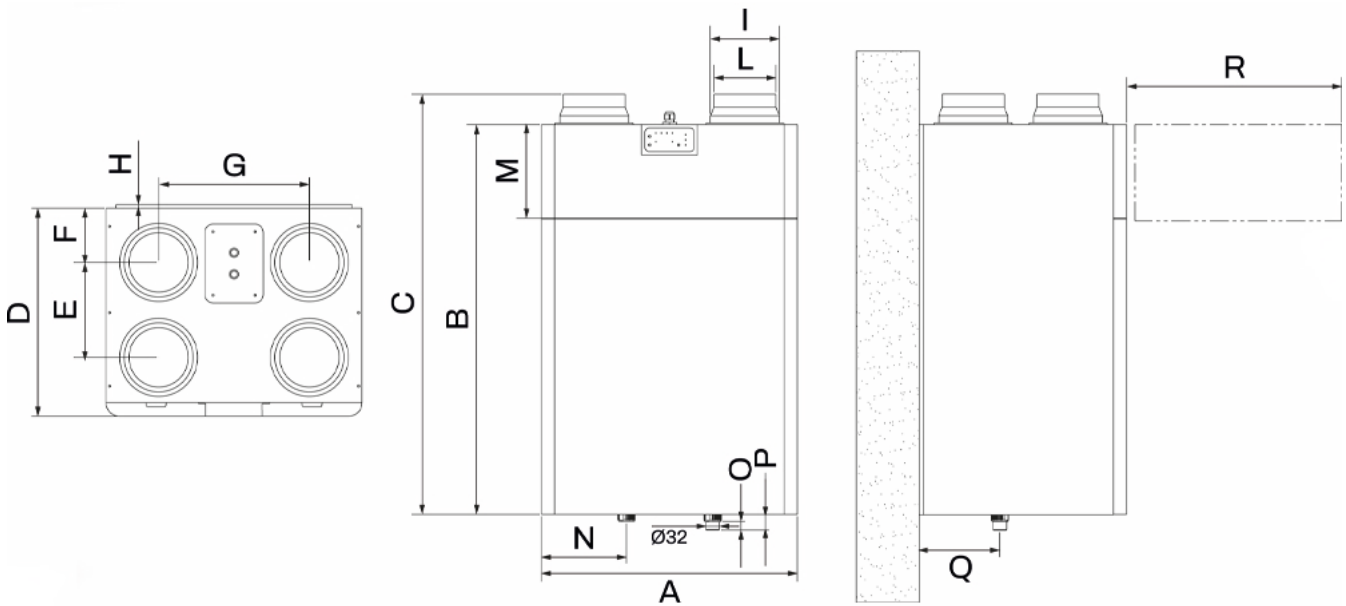
- cod. ACC100008 - cod. ACC100007



TECHNICAL SPECIFICATIONS:

- For residential applications
- High-efficiency enthalpic heat exchanger, removable
- Mechanical bypass with electronic actuation
- Constant-flow EC brushless motors
- Self-supporting frame in painted galvanized sheet metal with internal expanded polypropylene (EPP) insulation
- Digital 5-button touch screen remote control, interfacing with standard WIFI module
- BMS compatible VIA RS485 modbus protocol
- Extractable filters
- Mounting brackets included
- Optional F7 filter and CO₂ sensor

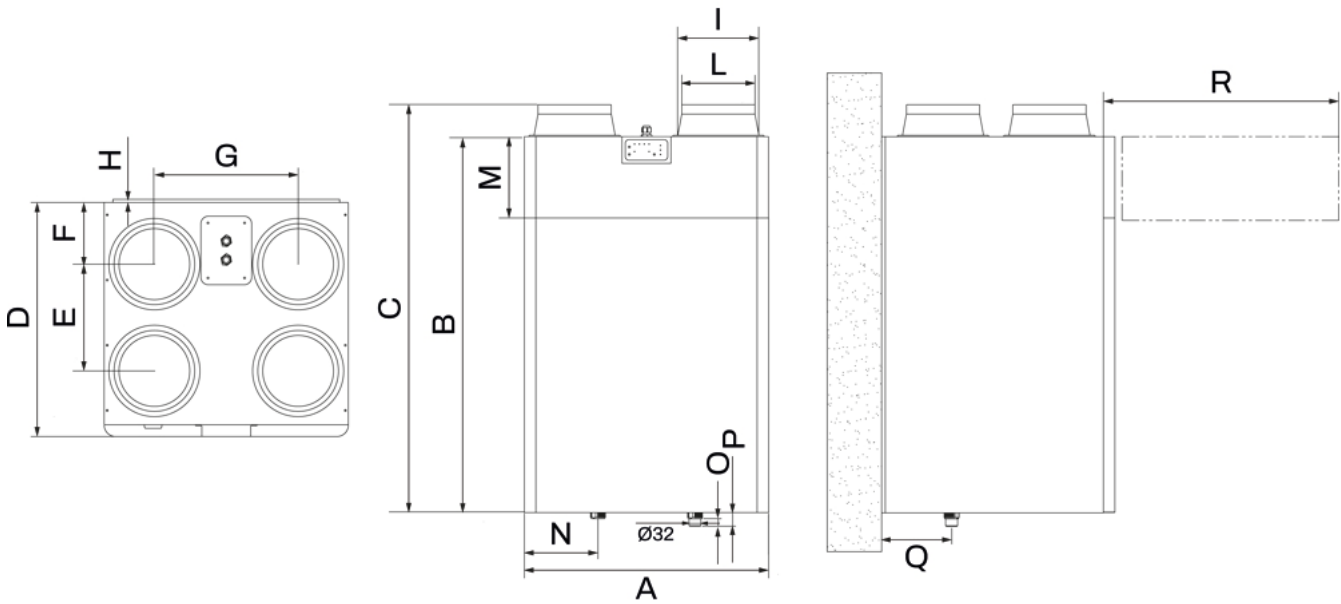
DIMENSIONS cod. ACC100008



DIMENSIONS cod. ACC100008

CODE	MOD.	A [mm]	B [mm]	C [mm]	D [mm]	E [mm]	F [mm]	G [mm]	H [mm]	I [mm]	L [mm]	M [mm]	N [mm]	O [mm]	P [mm]	Q [mm]	R [mm]
ACC100008	350 m³/h	595	905	975	480	220	125.5	350	7	Ø 160	Ø 144	217	197	20	36.5	195	500

DIMENSIONS cod. ACC100007



DIMENSIONS cod. ACC100007

CODE	MOD.	A [mm]	B [mm]	C [mm]	D [mm]	E [mm]	F [mm]	G [mm]	H [mm]	I [mm]	L [mm]	M [mm]	N [mm]	O [mm]	P [mm]	Q [mm]	R [mm]
ACC100007	500 m³/h	655	1005	1085	625.5	285	165.5	385	7	Ø 216	Ø 196	217	197	20	36.5	195	600

TECHNICAL DATA

		MODELS	
		TS-VERTICAL FLOW 350E	TS-VERTICAL FLOW 500E
		ACC100008	ACC100007
ELECTRICAL OPERATING DATA			
Power supply	230 V – 50 Hz		
Maximum power(W)	290	450	
Maximum current (A)	1.9	2.9	
Insulation class	Class 1		
IP rating	IP22		
Operating temperature in the installation compartment (°C)	-10°C ÷ +40°C		
Relative operating humidity (%RH at 25° C)	< 85 %		
Aerodynamic and thermal performance (*)			
Volumetric flow rate @100 Pa (m³/h)	358	525	
Heat Efficiency (%)	77	78	
Enthalpy efficiency (%)	72	73	
Energy rating (SEC temperate climate)	A		
Sound Power LWA (dB(A))	45	47	
Type of heat recovery unit	Counterflow enthalpy heat exchanger HRC1x	Counterflow sensible heat exchanger HRC1a	
Bypass	Electronically operated mechanical system		
Air filters as standard	G4		
Additional air filters (upon request)	F7		
CONSTRUCTION AND INSTALLATION FEATURES			
Type of motors	Brushless EC with constant flow		
Body material	Self-supporting frame made of painted galvanized sheet metal with internal insulation in expanded polypropylene (EPP)		
Dimensions l x h x p (mm)	595x905x487	655x1005x631,5	
Weight (kg)	40	50	
Aerualic fittings (Ø mm)	160	200	
Condensate drain (Ø mm)	NP		
Reversible mounting	yes		
CONTROLS			
Remote control	Digital 5-button touch screen control, interfacing with standard WIFI module		
Weekly programming	Standard / Factory-Fitted		
BMS control	MODBUS - RS485		

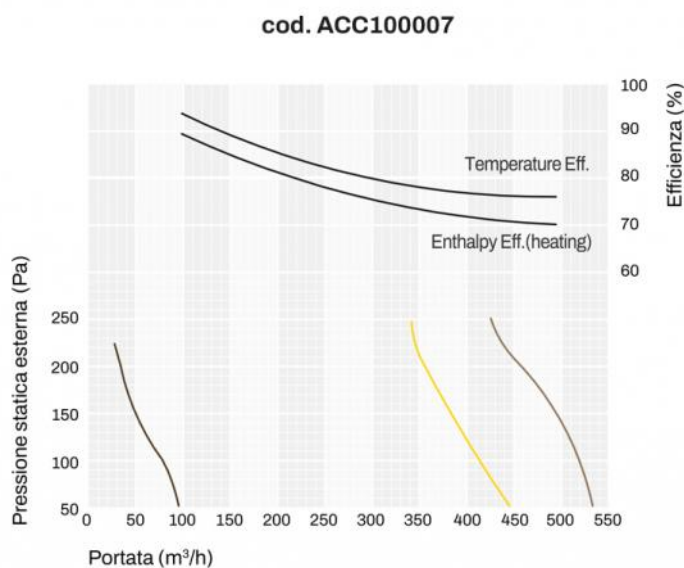
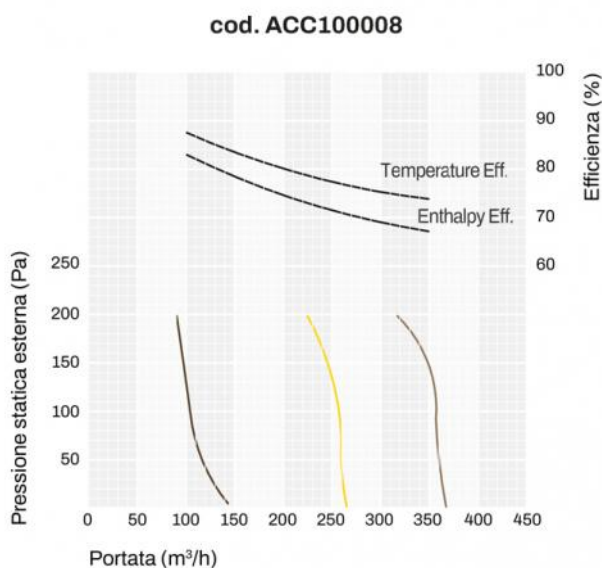
(*) In accordance with the standard EN 1314-7:2021

ECODESIGN DATA

Supplier name or brand:	Tecnosystemi	
Supplier model identifier:	TS-VERTICAL FLOW E350	TS-VERTICAL FLOW E500
Specific energy consumption class (temperate zone)	A	
Specific energy consumption (temperate zone)	-37.7 kWh/(m ² a)	-38.2 kWh/(m ² a)
Specific energy consumption (cold zone)	-74.6 kWh/(m ² a)	-75.3 kWh/(m ² a)
Specific energy consumption (warm zone)	-13.9 kWh/(m ² a)	-14.3 kWh/(m ² a)
Type	Bidirectional UVR	
Driving type	variable speed	
Type of heat recovery system	Recovery	
Thermal Efficiency of Heat Recovery	77 %	78%
Maximum capacity	358 m ³ /h	525 m ³ /h
Electrical power input at maximum airflow:	285 W	440 W
Sound power level (LWA)	45 dB(A)	47 dB(A)
Reference flow rate	0.070 m ³ /s	0.102 m ³ /s
Reference pressure difference	50 Pa	
Specific Power Input (SPI)	0.46 W/(m ³ /h)	0.44 W/(m ³ /h)
Type of control	Local environmental control	
Control factor	0,65	
Internal leakage (%)	< 5 %	
External leakage (%)	< 5 %	
Segnale visivo di avvertimento relativo al filtro:	Signal on the local control display	
Internet address with the pre-assembly and disassembly instructions:	www.tecnosystemi.com	
Annual electricity consumption (AEC) (temperate climate);	288 kWh electricity/year	278 kWh elettricità/anno
Annual heating savings (AHS) (temperate climate)	4424 kWh primary energy/year	4445 kWh energia primaria/anno
Annual heating savings (AHS) (cold climate)	8655 kWh primary energy/year	8695 kWh primary energy/year
Annual heating savings (AHS) (warm climate)	2001 kWh primary energy/year	2010 kWh primary energy/year

Performance measured according to standard EN 13141-7:2021

CHARACTERISTIC CURVES:



ITEMS

CODE	DESCRIPTION
ACC100008	ENTHALPY HEAT RECOVERY UNIT TS-VERTICAL FLOW E350
ACC100007	

All rights relating to this publication are the exclusive property of Tecnosystemi SpA. Tecnosystemi SpA reserves the right to make changes at any time and without notice, for technical or commercial needs.