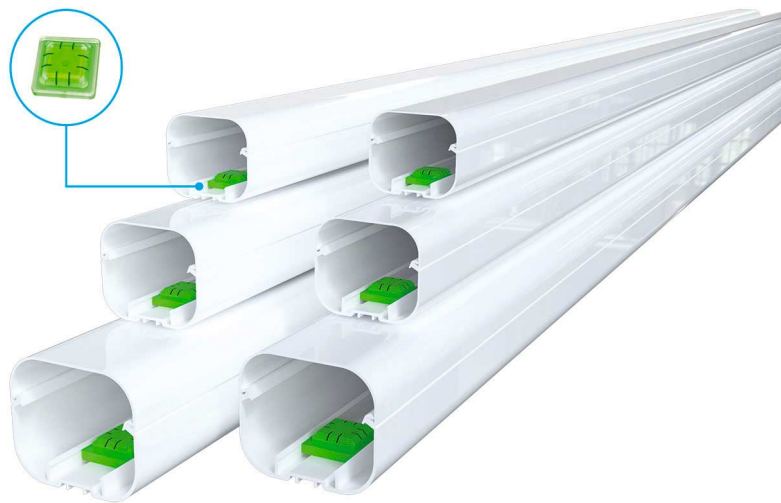


EXCELLENS TB

duct with level

- cod. B-N11120060 - cod. B-N11120072 - cod. B-N11120010
- cod. B-E11120060 - cod. B-E11120072 - cod. B-E11120010



TECHNICAL SPECIFICATIONS:

- Rigid PVC, impact-resistant and UV-resistant
- Rounded bottom and lid
- Clip-together central fastening
- Pre-punched slots in bottom for wall mounting
- Four-way sliding spirit level supplied on each 2m bar
- Prepared for insertion of the mini pumps Easy Flow, Easy One, Aqua Split (only model TB 72-EXC)
- Length 2 m
- Paintable with light-colored paints
- Operating temperature -20°C / +60°C

MODELS AVAILABLE:

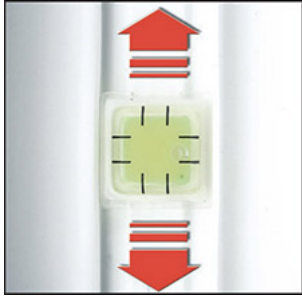


NEW LINE -
WHITE

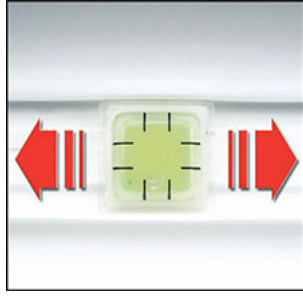


ECO LINE -
PEARL GREY

EXAMPLE OF INSTALLATION:



Vertikale duct



Horizontal duct

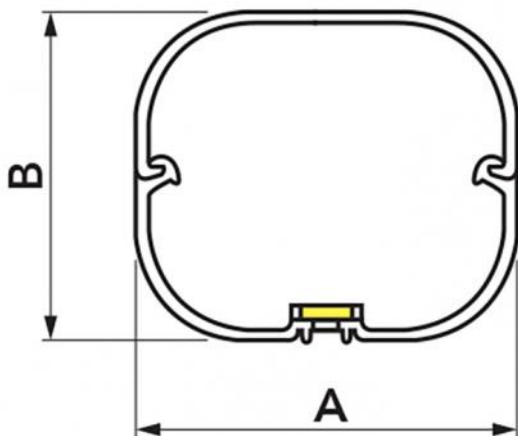
INSTALLATION PROCEDURES



Duct installation without built-in level



Duct installation with built-in level



DIMENSIONS

CODE	MODEL	LINE	A [mm]	B [mm]
B-N11120060	TB 60 - EXC	NEW LINE	60	52
B-N11120072	TB 72 - EXC	NEW LINE	72	64
B-N11120010	TB 100 - EXC	NEW LINE	98	73
B-E11120060	TB 60 - EXC	ECO LINE	60	52
B-E11120072	TB 72 - EXC	ECO LINE	72	64
B-E11120010	TB 100 - EXC	ECO LINE	98	73

ITEMS

CODE	DESCRIPTION
B-N11120060	"EXCELLENS TB" TRUNKING WITH SPIRIT LEVEL - 2 mt. long - NEW LINE WHITE - TB 60-EXC
B-N11120072	"EXCELLENS TB" TRUNKING WITH SPIRIT LEVEL - 2 mt. long - NEW LINE WHITE - TB 72-EXC
B-N11120010	"EXCELLENS TB" TRUNKING WITH SPIRIT LEVEL - 2 mt. long - NEW LINE WHITE - TB 100-EXC
B-E11120060	"EXCELLENS TB" TRUNKING WITH SPIRIT LEVEL - 2 mt. long - ECO LINE - TB60-EXC
B-E11120072	"EXCELLENS TB" TRUNKING WITH SPIRIT LEVEL - 2 mt. long - ECO LINE - TB72-EXC
B-E11120010	"EXCELLENS TB" TRUNKING WITH SPIRIT LEVEL - 2 mt. long - ECO LINE - TB100-EXC

All rights relating to this publication are the exclusive property of Tecnosystemi SpA.
Tecnosystemi SpA reserves the right to make changes at any time and without notice, for technical or commercial needs.

