

EXCELLENS TMQ

flanged square wall terminal

- cod. SCD100273 - cod. SCD100275 - cod. SCD100277
- cod. SCD100279 - cod. SCD100281 - cod. SCD100283
- cod. SCD100285 - cod. SCD100287 - cod. SCD100289
- cod. SCD100293 - cod. SCD100295 - cod. SCD100299
- cod. SCD100301 - cod. SCD100305 - cod. SCD100307



TECHNICAL SPECIFICATIONS:

- In high impact resistance plastic, recyclable
- Innovative design
- Ultra-fast interlocking fastening system
- Extremely high outer finish
- Large square external flange for installation cover hole
- Outer contouring to facilitate pipe bends
- Reference marks for possible wall mounting using screws (not included)
- Shrink-wrapped packaging with barcode
- Paintable with light-colored paints
- Operating temperature -20°C / +60°C
- Coloured operating temperature -20°C / +75°C

APPLICATIONS

Conditioning systems.

Wall installation both indoors and outdoors.

AVAILABLE MODELS



TOP LINE -
IVORY



NEW LINE -
WHITE



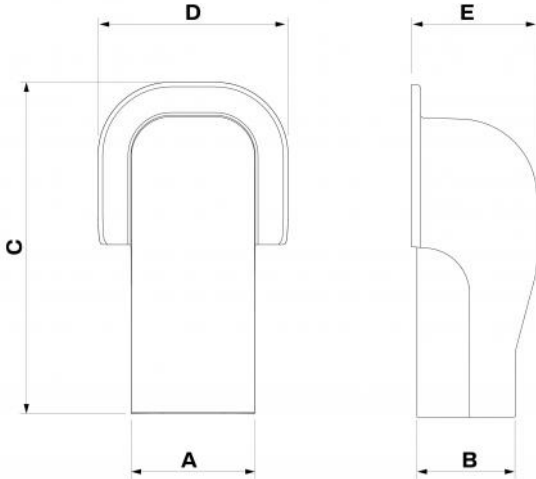
ECO LINE -
PEARL GREY
RAI 9003



BROWN LINE -
BROWN



BLACK LINE -
BLACK



DIMENSIONS

CODE	MODEL	A [mm]	B [mm]	C [mm]	D [mm]	E [mm]
SCD100273	TMQ EXC 60 TOP LINE	67	56	180	103	68
SCD100275	TMQ EXC 72 TOP LINE	78	68	200	117	78
SCD100277	TMQ EXC 100 TOP LINE	102	78	225	142	92
SCD100279	TMQ EXC 60 NEW LINE	67	56	180	103	68
SCD100281	TMQ EXC 72 NEW LINE	78	68	200	117	78
SCD100283	TMQ EXC 100 NEW LINE	102	78	225	142	92
SCD100285	TMQ EXC 60 ECO LINE	67	56	180	103	68
SCD100287	TMQ EXC 72 ECO LINE	78	68	200	117	78
SCD100289	TMQ EXC 100 ECO LINE	102	78	225	142	92
SCD100293	TMQ EXC 72 BROWN LINE	78	68	200	117	78
SCD100295	TMQ EXC 100 BROWN LINE	102	78	225	142	92
SCD100299	TMQ EXC 72 BLACK LINE	78	68	200	117	78
SCD100301	TMQ EXC 100 BLACK LINE	102	78	225	142	92
SCD100305	TMQ EXC 72 GREY LINE	78	68	200	117	78
SCD100307	TMQ EXC 100 GREY LINE	102	78	225	142	92



NON-SLIP PIN



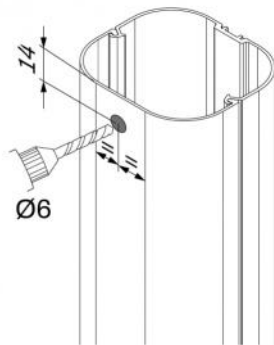
There is a small pin on the cover of the wall terminal TMR and TMQ.

Drill the Ø6 duct to facilitate coupling to the pin.

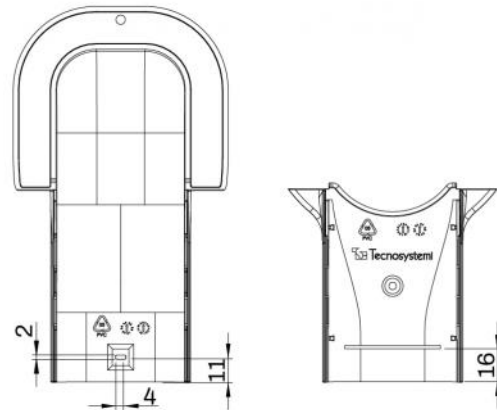
This prevents the duct cover from slipping in vertical installations.

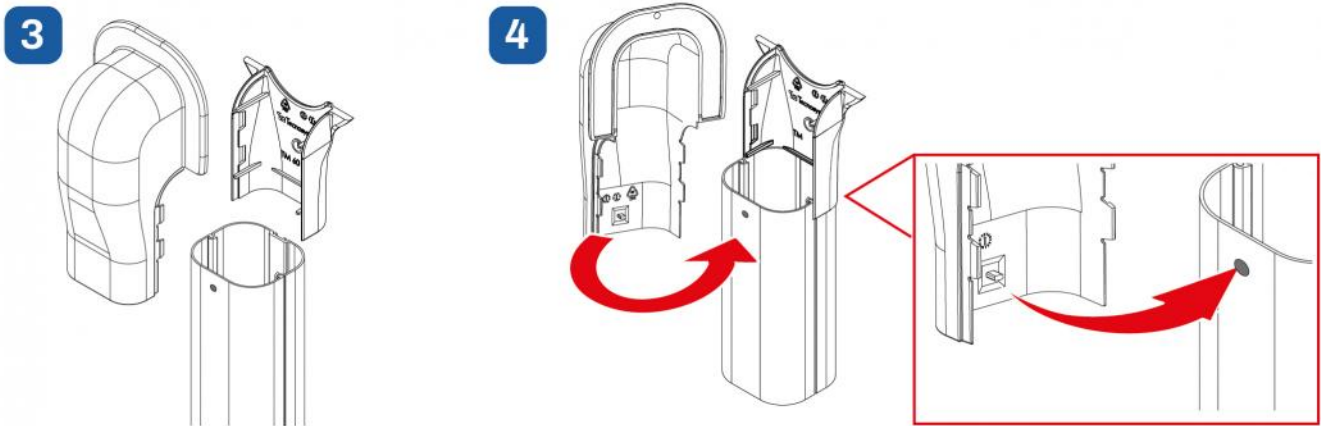
EXAMPLE OF INSTALLATION:

1

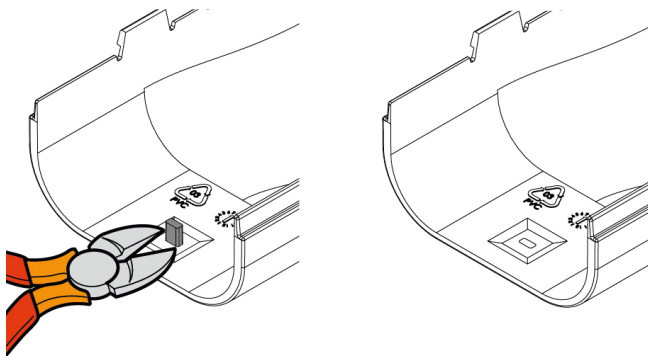


2





If the pin is not used, remove it with a cutter or pliers.



ITEMS

CODE	DESCRIPTION
SCD100273	"EXCELLENS TMQ" SQUARE WALL COVER - TOP LINE - TMQ 60-EXC
SCD100275	"EXCELLENS TMQ" SQUARE WALL COVER - TOP LINE - TMQ 72-EXC
SCD100277	"EXCELLENS TMQ" SQUARE WALL COVER - TOP LINE - TMQ 100-EXC
SCD100279	"EXCELLENS TMQ" SQUARE WALL COVER - NEW LINE WHITE - TMQ 60-EXC
SCD100281	"EXCELLENS TMQ" SQUARE WALL COVER - NEW LINE WHITE - TMQ 72-EXC
SCD100283	"EXCELLENS TMQ" SQUARE WALL COVER - NEW LINE WHITE - TMQ 100-EXC
SCD100285	"EXCELLENS TMQ" SQUARE WALL COVER - ECO LINE - TMQ 60-EXC
SCD100287	"EXCELLENS TMQ" SQUARE WALL COVER - ECO LINE - TMQ 72-EXC
SCD100289	"EXCELLENS TMQ" SQUARE WALL COVER - ECO LINE - TMQ 100-EXC
SCD100293	SQUARE FLANGED WALL-MOUNTED TERMINAL TM72 BROWN LINE (5 PCS.)
SCD100295	SQUARE FLANGED WALL-MOUNTED TERMINAL TM100 BROWN LINE (3 PCS.)
SCD100299	SQUARE FLANGED WALL-MOUNTED TERMINAL TM72 BLACK LINE (5 PZ)
SCD100301	SQUARE WALL-MOUNTED TERMINAL TM100 BLACK LINE (3 PZ)
SCD100305	"EXCELLENS TMQ" SQUARE WALL COVER - GREY LINE - TMQ 72-EXC
SCD100307	"EXCELLENS TMQ" SQUARE WALL COVER - GREY LINE - TMQ 100-EXC

All rights relating to this publication are the exclusive property of Tecnosystemi SpA.
 Tecnosystemi SpA reserves the right to make changes at any time and without notice, for technical or commercial needs.