

DUCT PLUS 180

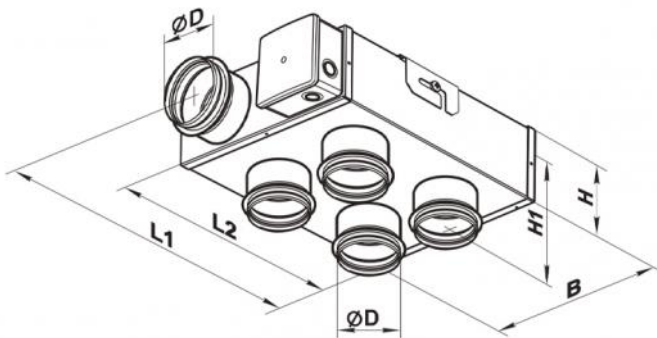
ductable extractor with side output

- cod. 11104039



TECHNICAL SPECIFICATIONS:

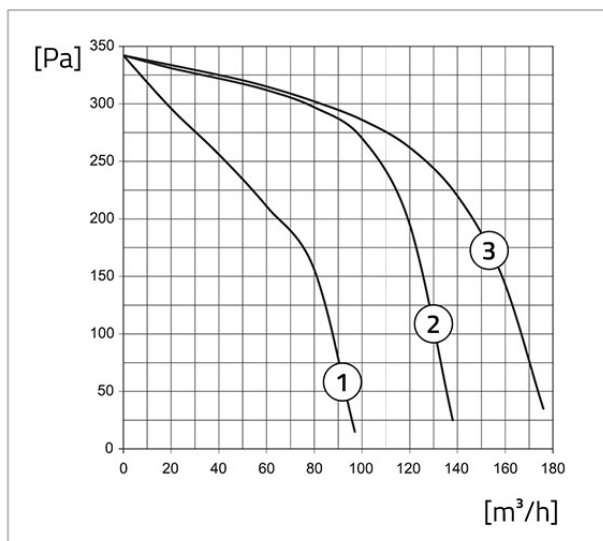
- Easy installation in false ceiling
- Equipped with 1 ejection hole and 4 intake holes
- Made of electro-galvanised painted metal sheet
- Pipe couplings Ø 100 mm
- Operable via switch
- Recommended for extracting air from multiple environments such as kitchens, bathrooms, shops, offices



DIMENSIONS

CODE	Ø D [mm]	B [mm]	H [mm]	H1 [mm]	L1 [mm]	L2 [mm]	WEIGHT [kg]
11104039	99	260	110	170	302	253	3,4

FLOW RATE DIAGRAM TOTAL CLASS 300



- [1] Speed I
- [2] Speed II
- [3] Speed III

TECHNICAL DATA

MODEL	DUCT PLUS 180		
Speed	min. 1	med. 2	max. 3
Power supply [V]	230	230	230
Power [W]	20	26	45
Absorbed current [A]	0,32	0,34	0,4
Air flow rate [m³/h]	97	138	176
SPEED [RPM]	1400	1800	2600
Max sound level [dB(A)]	33	36	44
Operating temperature max [°C]	50	50	50
Protection rating [IP]	X4		

ITEMS

CODE	DESCRIPTION
11104039	DUCTED EXTRACTOR "DUCT PLUS 180"

All rights relating to this publication are the exclusive property of Tecnosystemi SpA.
 Tecnosystemi SpA reserves the right to make changes at any time and without notice, for technical or commercial needs.