

# LUXURY

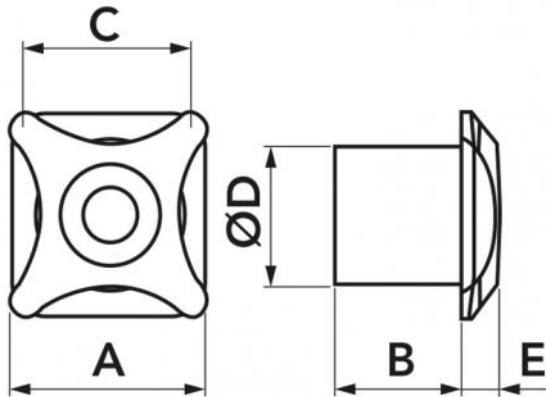
## electric extractor

- cod. 11104026



### TECHNICAL SPECIFICATIONS:

- Made of ABS
- Fastening by means of hidden screws
- 7-blade fan
- Designed for ventilation of medium to small rooms
- Wall- or ceiling-mounted
- Built-in 12 V LED light



## DIMENSIONS

| CODE     | A [mm] | B [mm] | C [mm] | Ø D [mm] | E [mm] |
|----------|--------|--------|--------|----------|--------|
| 11104026 | 152    | 95     | 120    | 100      | 36     |

## TECHNICAL DATA

| TECHNICAL SPECIFICATIONS   | TECHNICAL DATA |
|----------------------------|----------------|
| Power supply [V]           | 220            |
| Frequency [Hz]             | 50             |
| Power [W]                  | 16             |
| Absorbed current [A]       | 0,085          |
| Extraction capacity [m³/h] | 89             |
| Air pressure [Pa]          | 31             |
| Max sound level [dB(A)]    | 33             |
| SPEED [RPM]                | 2300           |
| Weight [kg]                | 0,62           |

## ITEMS

| CODE     | DESCRIPTION                 |
|----------|-----------------------------|
| 11104026 | "LUXURY" ELECTRIC EXTRACTOR |

All rights relating to this publication are the exclusive property of Tecnosystemi SpA.  
 Tecnosystemi SpA reserves the right to make changes at any time and without notice, for technical or commercial needs.