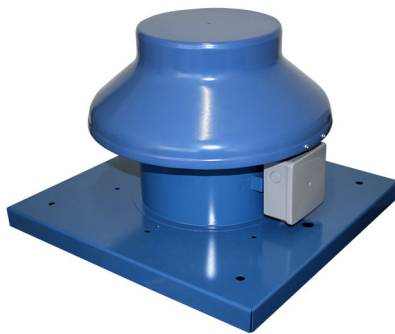


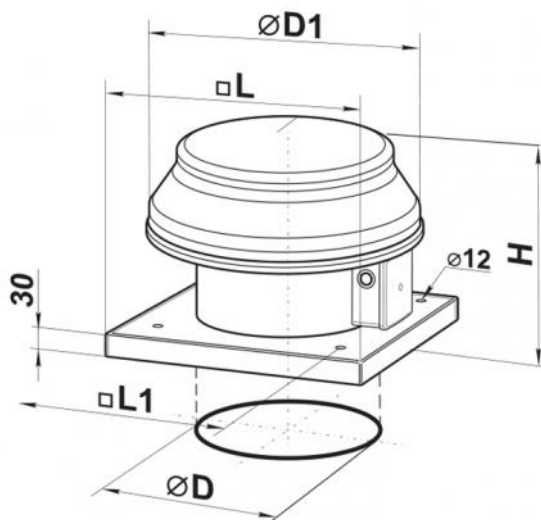
Residential extractor tower

- cod. 11104110 - cod. 11104120 - cod. 11104130



TECHNICAL SPECIFICATIONS:

- Max operating temperature: +50°C
- Weatherproof
- Made of metal finished with polymer paint
- Protection rating: IP X4
- Supply voltage: 230 V AC - 50 Hz



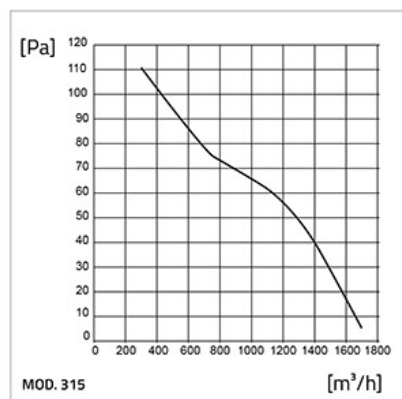
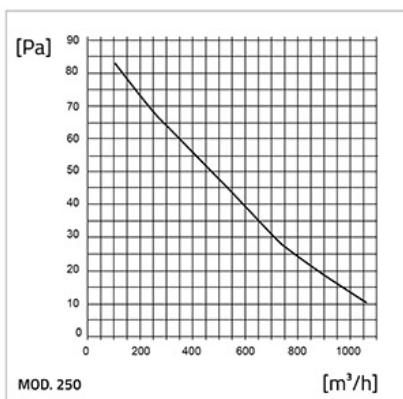
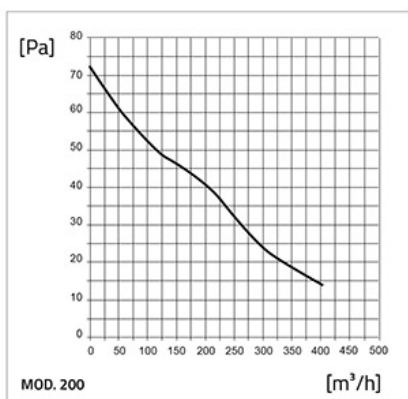
DIMENSIONS

CODE	MODEL	Ø D [mm]	Ø D1 [mm]	H [mm]	L	L1
11104110	200	208	345	280	425	330
11104120	250	262	405	300	425	330
11104130	315		555	380	585	450

TECHNICAL DATA

SPECIFICATIONS	MOD. 200	MOD. 250	MOD. 315
Power supply [V]	230	230	230
Frequency [Hz]	50	50	50
Power [W]	43	68	110
Absorbed current [A]	0,28	0,48	0,75
Air flow rate [m³/h]	405	1070	1700
RPM	1300	1300	1300
Max sound level [dB(A)]	32	48	54
Operating temperature max [°C]	40	40	40
Protection rating [IP]		X4	
Weight [kg]	4,9	6,8	9,2

FLOW RATE DIAGRAMS



ITEMS

CODE	DESCRIPTION
11104110	RESIDENTIAL ROOF EXTRACTOR 200
11104120	RESIDENTIAL ROOF EXTRACTOR 250
11104130	RESIDENTIAL ROOF EXTRACTOR 315

All rights relating to this publication are the exclusive property of Tecnosystemi SpA.
Tecnosystemi SpA reserves the right to make changes at any time and without notice, for technical or commercial needs.