

HERCULES MODULAR 1-2-3

adjustable support system

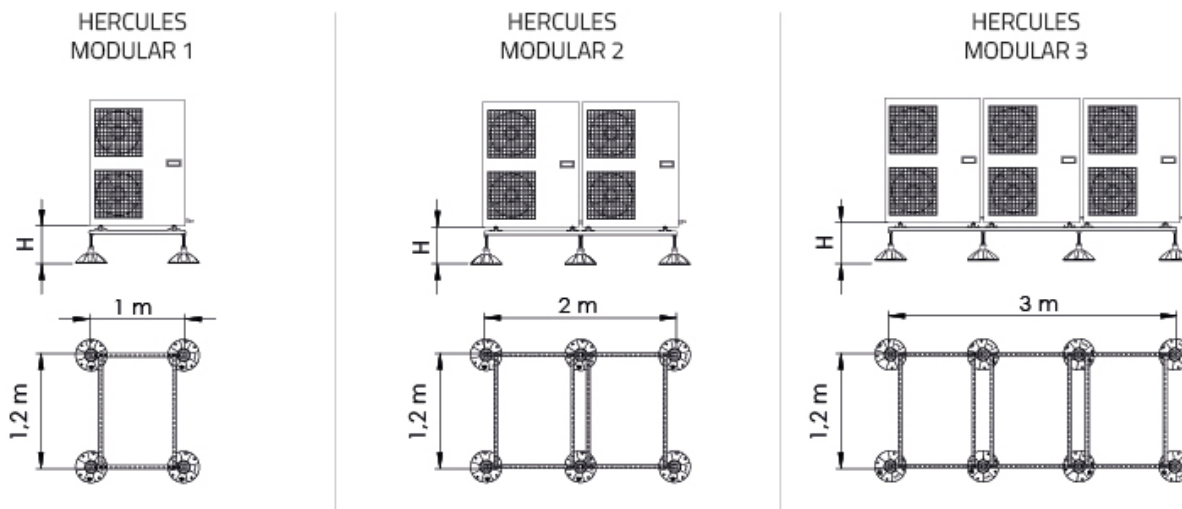
- cod. SCD500052 - cod. SCD500053 - cod. SCD500054
- cod. SCD500055 - cod. SCD500056 - cod. SCD500057
- cod. SCD500058 - cod. SCD500059 - cod. SCD500060



TECHNICAL SPECIFICATIONS:

- Galvanised steel profile structure
- Adjustable feet "Hercules" model
- Adaptable to all machines on the market
- Height-adjustable
- Ideal for burners VRV - VRF - refrigerator groups and UTA

DIMENSIONS



CODE	H [mm]	LOAD CAPACITY [kg]
SCD500052	270 ÷ 360	8000
SCD500053	320 ÷ 450	8000
SCD500054	430 ÷ 560	8000
SCD500055	150 ÷ 300	12000
SCD500056	150 ÷ 400	12000
SCD500057	150 ÷ 500	12000
SCD500058	150 ÷ 300	16000
SCD500059	150 ÷ 400	16000
SCD500060	150 ÷ 500	16000

ITEMS

CODE	DESCRIPTION
SCD500052	"HERCULES MODULAR 1" 150-300 ADJUSTABLE MOUNT SYSTEM
SCD500053	"HERCULES MODULAR 1" 150-400 ADJUSTABLE MOUNT SYSTEM
SCD500054	"HERCULES MODULAR 1" 150-50 ADJUSTABLE MOUNT SYSTEM ***AVAILABLE ON REQUEST
SCD500055	"HERCULES MODULAR 2" 150-300 ADJUSTABLE MOUNT SYSTEM
SCD500056	"HERCULES MODULAR 2" 150-400 ADJUSTABLE MOUNT SYSTEM
SCD500057	"HERCULES MODULAR 2" 150-50 ADJUSTABLE MOUNT SYSTEM***AVAILABLE ON REQUEST
SCD500058	"HERCULES MODULAR 3" 150-300 ADJUSTABLE MOUNT SYSTEM
SCD500059	"HERCULES MODULAR 3" 150-400 ADJUSTABLE MOUNT SYSTEM
SCD500060	"HERCULES MODULAR 3" 150-50 ADJUSTABLE MOUNT SYSTEM***AVAILABLE ON REQUEST

All rights relating to this publication are the exclusive property of Tecnosystemi SpA. Tecnosystemi SpA reserves the right to make changes at any time and without notice, for technical or commercial needs.