

INFINITY

floor support with BLUE RIVER GREY RAL 7016 drain pan and 3
EXTREME 100-8 bases

- cod. SCD500474 - cod. SCD500476 - cod. SCD500475
- cod. SCD500477 - cod. SCD500479 - cod. SCD500481



DESCRIPTION

Floor support in electro-galvanized sheet metal painted in polyester for outdoor use in RAL 7016 grey, with BLUE RIVER basin made of grey ABS PMMA plastic.

The drain pan is pre-arranged for a \varnothing 16 mm condensate drain pipe connection.

The support is supplied complete with 3 SBR EXTREME vulcanised rubber floor bases with M8 fastening bolt and No-Shock anti-slip vibration dampers.

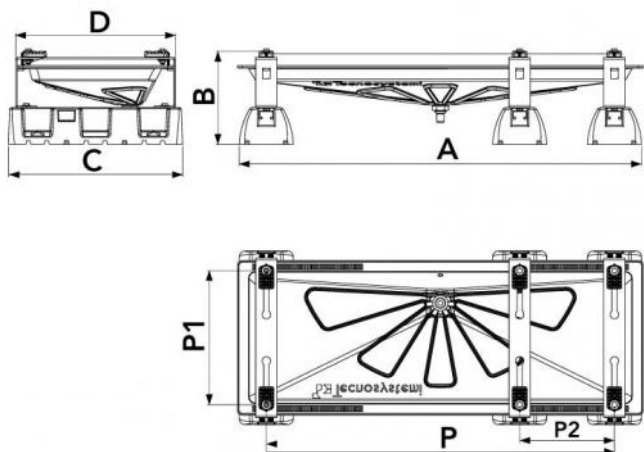
ELECTRICAL HEATING CABLE SPECIFICATIONS:

- Heating cable diameter 6 mm
- Power supply voltage 230 V
- Resistance tolerances -5% / +10%
- Activation of element at +3°C
- Built-in thermal sensor

MODELS AVAILABLE:

WITH HEATING CABLE 3 m:

- Includes 15 W/m 3 m heating cable
- Coupling for condensate drain pipe \varnothing 16



DIMENSIONS

CODE	A [mm]	B [mm]	C [mm]	D [mm]	P [mm]	P1 [mm]	P2 [mm]	Load capacity [kg]
SCD500474	1050	240	450	410	400 ÷ 1000	150 ÷ 350	140 ÷ 250	170
SCD500476	1250	240	600	520	600 ÷ 1100	250 ÷ 450	140 ÷ 400	200
SCD500475	1050	240	450	410	400 ÷ 1000	150 ÷ 350	140 ÷ 250	170
SCD500477	1250	240	600	520	600 ÷ 1100	250 ÷ 450	140 ÷ 400	200
SCD500479	1250	240	600	520	600 ÷ 1100	250 ÷ 500	140 ÷ 400	200
SCD500481	1250	240	600	520	600 ÷ 1100	250 ÷ 500	140 ÷ 400	200

ITEMS

CODE	DESCRIPTION
SCD500474	FLOOR STAND 'INFINITY' 1050x400 GREY DRAIN PAN 'BLUE RIVER + 3 pcs 'EXTREME-8-100'
SCD500476	FLOOR STAND 'INFINITY' 1250x400 GREY DRAIN PAN 'BLUE RIVER + 3 pcs 'EXTREME-8-100'
SCD500475	FLOOR STAND 'INFINITY' 1050x400 GREY DRAIN PAN 'BLUE RIVER + 3m CABLE + 3 FEET 'EXTREME-8-100'
SCD500477	FLOOR STAND 'INFINITY' 1250x500 GREY DRAIN PAN 'BLUE RIVER + 3m CABLE + 3 pcs 'EXTREME-8-100'
SCD500479	
SCD500481	FLOOR STAND 'INFINITY' 1250x500 GREY DRAIN PAN 'BLUE RIVER + 3m CABLE + 3 FEET 'EXTREME-8-100' --- WIDER BRACKET 562mm

All rights relating to this publication are the exclusive property of Tecnosystemi SpA. Tecnosystemi SpA reserves the right to make changes at any time and without notice, for technical or commercial needs.