

INFINITY

Floor support with BLUE RIVER GREY RAL 7016 drain pan and bases EXTREME 100-8

- cod. SCD500251 - cod. SCD500252 - cod. SCD500267
- cod. SCD500253 - cod. SCD500254 - cod. SCD500329
- cod. SCD500319 - cod. SCD500320 - cod. SCD500322



DESCRIPTION

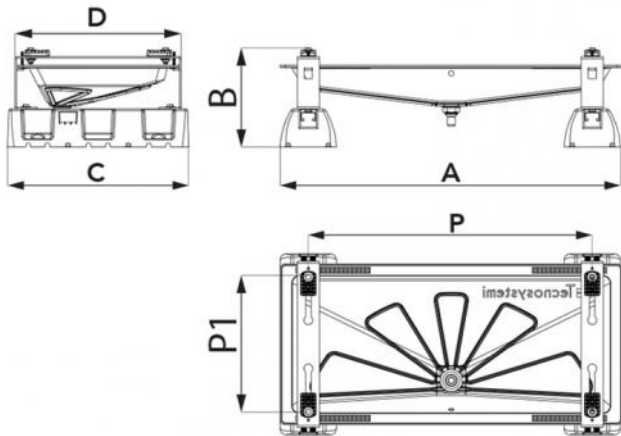
Floor support in electro-galvanised sheet metal, painted in polyester for outdoor use in RAL 7016 ivory colour, with BLUE RIVER drain pan made of ABS PMMA plastic, ivory in colour.

The drain pan is pre-arranged for a Ø 16 mm condensate drain pipe connection.

The support is supplied complete with SBR EXTREME vulcanised rubber floor bases with M8 fastening bolt and No-Shock anti-slip vibration dampers.

ELECTRICAL HEATING CABLE SPECIFICATIONS:

- Heating cable diameter 6 mm
- Power supply voltage 230 V
- Resistance tolerances -5% / +10%
- Activation of element at +3°C
- Built-in thermal sensor



DIMENSIONS

CODE	A [mm]	B [mm]	C [mm]	D [mm]	P [mm]	P1 [mm]
SCD500251	845	240	450	410	800 ÷ 400	350 ÷ 150
SCD500252	1050	240	450	410	1000 ÷ 400	350 ÷ 150
SCD500267	1250	240	600	520	1100 ÷ 600	450 ÷ 250
SCD500253	845	240	450	410	800 ÷ 400	350 ÷ 150
SCD500254	1050	240	450	410	1000 ÷ 400	350 ÷ 150
SCD500329	1250	240	600	520	1100 ÷ 600	450 ÷ 250
SCD500319	845	240	450	410	800 ÷ 400	350 ÷ 150
SCD500320	1050	240	450	410	1000 ÷ 400	350 ÷ 150
SCD500322	1250	240	600	520	1100 ÷ 600	450 ÷ 250

MODELS AVAILABLE:

WITH HEATING CABLE 3 m:

- Includes 15 W/m 3 m heating cable
- Coupling for condensate drain pipe Ø 16

WITH HEATING CABLE 3 + 3 m

- Includes 15 W/m 3 m + 3 m (6 m total) heating cable
- Coupling for condensate drain pipe Ø 20
- Equipped with a condensate drain pipe securing clamp
- With 3 m insulated condensate drain pipe

TECHNICAL DATA

CODE	LOAD CAPACITY [kg]
SCD500251	150
SCD500252	150
SCD500267	190
SCD500253	150
SCD500254	150
SCD500329	190
SCD500319	150
SCD500320	150
SCD500322	190

ITEMS

CODE	DESCRIPTION
SCD500251	FLOOR STAND "INFINITY" WITH GREY RAL 7016 850x400 DRAIN PAN "BLUE RIVER" + "EXTREME 100-8"
SCD500252	FLOOR STAND "INFINITY" WITH GREY RAL 7016 1050x400 DRAIN PAN "BLUE RIVER" + "EXTREME 100-8"
SCD500267	FLOOR STAND "INFINITY" WITH GREY RAL 7016 1250x500 DRAIN PAN "BLUE RIVER" + "EXTREME 100-8"
SCD500253	FLOOR STAND "INFINITY" WITH GREY RAL 7016 850x400 DRAIN PAN "BLUE RIVER" WITH HEATING CABLE 3mt AND "EXTREME 100-8"
SCD500254	FLOOR STAND "INFINITY" WITH GREY RAL 7016 1050x400 DRAIN PAN "BLUE RIVER" WITH HEATING CABLE 3mt AND "EXTREME 100-8"
SCD500329	FLOOR SUPPORT "INFINITY" WITH GREY RAL 7016 1250x500 DRAIN PAN "BLUE RIVER" WITH HEATING CABLE 3mt AND "EXTREME 100-8"
SCD500319	FLOOR SUPPORT "INFINITY" WITH GREY RAL 7016 850x400 DRAIN PAN "BLUE RIVER" WITH HEATING CABLE 3mt+3mt (6mt) AND "EXTREME 100-8"
SCD500320	FLOOR SUPPORT "INFINITY" WITH GREY RAL 7016 1050x400 DRAIN PAN "BLUE RIVER" WITH HEATING CABLE 3mt+3mt (6mt) AND "EXTREME 100-8"
SCD500322	FLOOR STAND "INFINITY" WITH GREY RAL 7016 1250x500 DRAIN PAN "BLUE RIVER" WITH HEATING CABLE 3mt+3mt (6mt) AND "EXTREME 100-8"

All rights relating to this publication are the exclusive property of Tecnosystemi SpA.
 Tecnosystemi SpA reserves the right to make changes at any time and without notice, for technical or commercial needs.

