

INFINITY

INFINITY floor support with BLUE RIVER drain pan and GENIUS 1000R adjustable foot

- cod. SCD500012 - cod. SCD500013 - cod. SCD500294
- cod. SCD500295 - cod. SCD500298 - cod. SCD500299

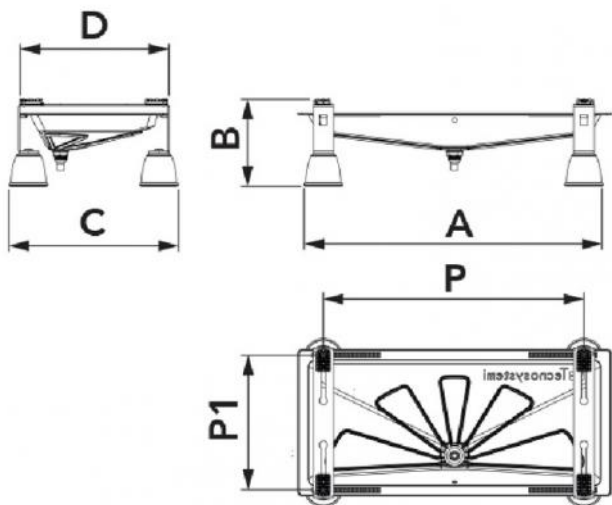


TECHNICAL SPECIFICATIONS:

- Electro-galvanised metal sheet feet
- Polyester exterior feet painted in ivory
- "Blue River" basin in ivory ABS PMMA plastic
- Coupling for condensate drain pipe \varnothing 16
- Includes "No- Shock" 2 Hard + 2 Soft vibration-damping kit
- Genius 1000R adjustable feet with M10 screw fastening
- Foot with adjustment ring nut (height from 100 to 140 mm)
- Non-slip knurling adjustment of foot

ELECTRICAL HEATING CABLE SPECIFICATIONS:

- Heating cable diameter 6 mm
- Power supply voltage 230 V
- Resistance tolerances -5% / +10%
- Activation of element at +3°C
- Built-in thermal sensor



DIMENSIONS

CODE	A [mm]	B [mm]	C [mm]	D [mm]	P [mm]	P1 [mm]
SCD500012	850	230 ÷ 260	410	460	800 ÷ 400	370 ÷ 150
SCD500013	1050	230 ÷ 260	410	460	1000 ÷ 400	370 ÷ 150
SCD500294	850	230 ÷ 260	410	460	800 ÷ 400	370 ÷ 150
SCD500295	1050	230 ÷ 260	410	460	1000 ÷ 400	370 ÷ 150
SCD500298	850	230 ÷ 260	410	460	800 ÷ 400	370 ÷ 150
SCD500299	1050	230 ÷ 260	410	460	1000 ÷ 400	370 ÷ 150

TECHNICAL DATA

CODE	LOAD CAPACITY [kg]
SCD500012	150
SCD500013	150
SCD500294	150
SCD500295	150
SCD500298	150
SCD500299	150

- Heating cable diameter 6 mm
- Power supply voltage 230 V
- Resistance tolerances -5% / +10%
- Activation of element at +3°C
- Built-in thermal sensor

MODELS AVAILABLE:

WITH HEATING CABLE 3 m:

- Includes 15 W/m 3 m heating cable
- Coupling for condensate drain pipe Ø 16

WITH HEATING CABLE 3 + 3 m

- Includes 15 W/m 3 m + 3 m (6 m total) heating cable

- Coupling for condensate drain pipe Ø 20
- Equipped with a condensate drain pipe securing clamp
- With 3 m insulated condensate drain pipe

ITEMS

CODE	DESCRIPTION
SCD500012	FLOOR STAND "INFINITY" W/ SMALL DRAIN PAN "BLUE RIVER + ADJUSTABLE FEET "GENIUS 1000"
SCD500013	FLOOR STAND "INFINITY" W/ LARGE DRAIN PAN "BLUE RIVER + ADJUSTABLE FEET "GENIUS 1000"
SCD500294	FLOOR STAND "INFINITY" W/ SMALL DRAIN PAN"BLUE RIVER + 3 MT CABLE + ADJUSTABLE FEET "GENIUS 1000"
SCD500295	FLOOR STAND "INFINITY" W/ LARGE DRAIN PAN "BLUE RIVER + 3 MT CABLE + ADJUSTABLE FEET "GENIUS 1000"
SCD500298	FLOOR STAND "INFINITY" W/ SMALL DRAIN PAN "BLUE RIVER + 6 MT CABLE + ADJUSTABLE FEET "GENIUS 1000"
SCD500299	FLOOR STAND "INFINITY" W/ LARGE DRAIN PAN "BLUE RIVER + 6 MT CABLE + ADJUSTABLE FEET "GENIUS 1000"

All rights relating to this publication are the exclusive property of Tecnosystemi SpA.
Tecnosystemi SpA reserves the right to make changes at any time and without notice, for technical or commercial needs.

