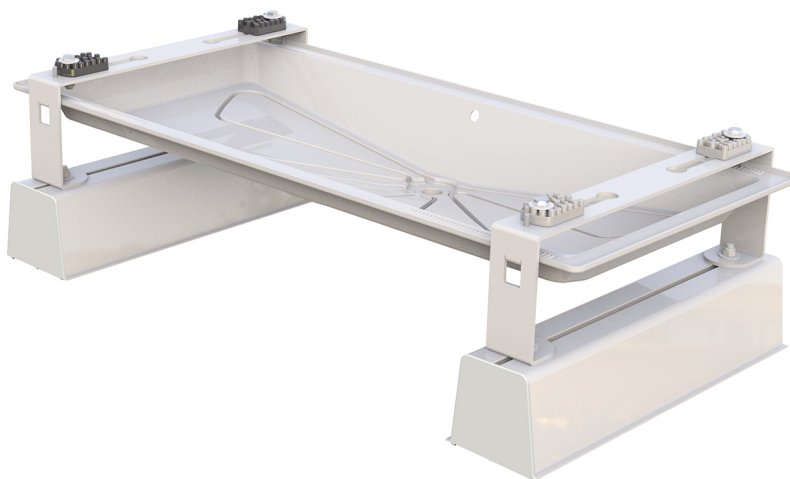


INFINITY

INFINITY floor support with BLUE RIVER drain pan and SUELO MAXI adjustable foot 450 - 600

- cod. SCD500186 - cod. SCD500187 - cod. SCD500257
- cod. SCD500314 - cod. SCD500315 - cod. SCD500258
- cod. SCD500316 - cod. SCD500317 - cod. SCD500259



TECHNICAL SPECIFICATIONS:

- Electro-galvanised metal sheet feet
- Polyester exterior painting in ivory
- BLUE RIVER basin in ivory ABS PMMA plastic
- Coupling for condensate drain pipe Ø 16
- Includes "NO-SHOCK" 2 Hard + 2 Soft anti-vibration kit
- Suelo Maxi 450 in rigid anti-UVA shockproof PVC
- Rubber support base

WITH HEATING CABLE 3 m:

- Includes 15 W/m 3 m heating cable
- Coupling for condensate drain pipe Ø 16

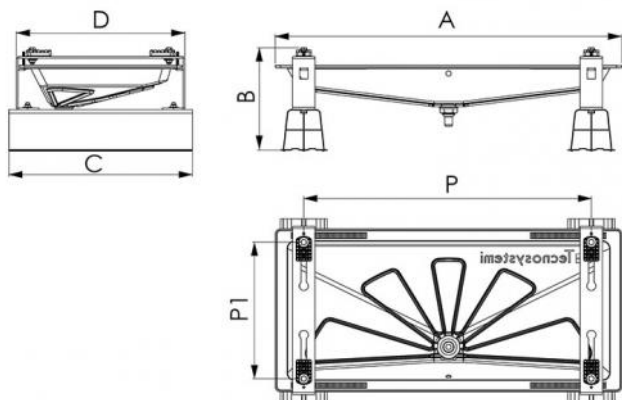
WITH HEATING CABLE 3 + 3 m

- Includes 15 W/m 3 m + 3 m (6 m total) heating cable
- Coupling for condensate drain pipe Ø 20
- Equipped with a condensate drain pipe securing clamp
- With 3 m insulated condensate drain pipe

ELECTRICAL HEATING CABLE SPECIFICATIONS:

- Heating cable diameter 6 mm
- Power supply voltage 230 V

- Resistance tolerances -5% / +10%
- Activation of element at +3°C
- Built-in thermal sensor



DIMENSIONS

CODE	A [mm]	B [mm]	C [mm]	D [mm]	P [mm]	P1 [mm]
SCD500186	845	250	450	410	800 ÷ 400	350 ÷ 150
SCD500187	1050	250	450	410	1000 ÷ 400	350 ÷ 150
SCD500257	1250	250	600	520	1100 ÷ 600	450 ÷ 250
SCD500314	845	250	450	410	800 ÷ 400	350 ÷ 150
SCD500315	1050	250	450	410	1000 ÷ 400	350 ÷ 150
SCD500258	1250	250	600	520	1100 ÷ 600	450 ÷ 250
SCD500316	845	250	450	410	800 ÷ 400	350 ÷ 150
SCD500317	1050	250	450	410	1000 ÷ 400	350 ÷ 150
SCD500259	1250	250	600	520	1100 ÷ 600	450 ÷ 250

MODELS AVAILABLE:

WITH HEATING CABLE 3 m:

- Includes 15 W/m 3 m heating cable
- Coupling for condensate drain pipe Ø 16

WITH HEATING CABLE 3 + 3 m

- Includes 15 W/m 3 m + 3 m (6 m total) heating cable
- Coupling for condensate drain pipe Ø 20
- Equipped with a condensate drain pipe securing clamp
- With 3 m insulated condensate drain pipe

TECHNICAL DATA

CODE	LOAD CAPACITY [kg]
SCD500186	150
SCD500187	150
SCD500257	190
SCD500314	150
SCD500315	150
SCD500258	190
SCD500316	150
SCD500317	150
SCD500259	190

ITEMS

CODE	DESCRIPTION
SCD500186	FLOOR STAND "INFINITY" WITH SMALL "BLUE RIVER" DRAIN PAN & "SUELO MAXI 450" FOOT MOUNTS
SCD500187	FLOOR STAND "INFINITY" WITH BIG "BLUE RIVER" DRAIN PAN & "SUELO MAXI 450" FOOT MOUNTS
SCD500257	FLOOR STAND "INFINITY" WITH "BLUE RIVER" DRAIN PAN 1250x500 WITH SUPPORT "SUELO MAXI - 600"
SCD500314	FLOOR STAND "INFINITY" WITH SMALL "BLUE RIVER" DRAIN PAN WITH HEATING CABLE 3 mt. & "SUELO MAXI 450" FOOT MOUNTS
SCD500315	FLOOR STAND "INFINITY" WITH BIG "BLUE RIVER" DRAIN PAN WITH HEATING CABLE 3 mt. & "SUELO MAXI 450" FOOT MOUNTS
SCD500258	FLOOR STAND "INFINITY" WITH "BLUE RIVER" DRAIN PAN 1250x500 WITH HEATING CABLE 3mt and SUPPORT "SUELO MAXI - 600"
SCD500316	FLOOR STAND "INFINITY" WITH SMALL "BLUE RIVER" DRAIN PAN WITH HEATING CABLE 3 mt. + 3mt. (6 mt.) & "SUELO MAXI 450" FOOT MOUNTS
SCD500317	FLOOR STAND "INFINITY" WITH BIG "BLUE RIVER" DRAIN PAN WITH HEATING CABLE 3 mt. + 3 mt. (6mt.) & "SUELO MAXI 450" FOOT MOUNTS
SCD500259	FLOOR STAND "INFINITY" WITH "BLUE RIVER" DRAIN PAN 1250x500 WITH HEATING CABLE 3mt + 3mt (6mt) and SUPPORT "SUELO MAXI - 600"

All rights relating to this publication are the exclusive property of Tecnosystemi SpA.
 Tecnosystemi SpA reserves the right to make changes at any time and without notice, for technical or commercial needs.

