

INFINITY

INFINITY floor support with BLUE RIVER GREY drain pan and ZEUS HIGH ARTICULATED foot

- cod. SCD500493 - cod. SCD500494 - cod. SCD500495
- cod. SCD500496 - cod. SCD500497 - cod. SCD500498
- cod. SCD500499 - cod. SCD500500 - cod. SCD500501



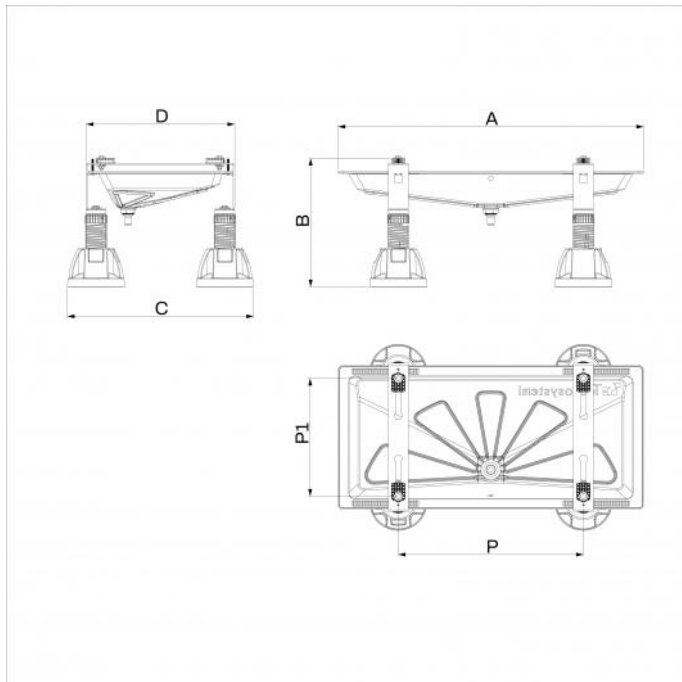
TECHNICAL SPECIFICATIONS:

- Electro-galvanised metal sheet feet
 - Polyester exterior painting in grey RAL 7016
 - BLUE RIVER basin in ivory ABS PMMA plastic
 - Coupling for condensate drain pipe Ø 16
 - Includes "NO-SHOCK" 2 Hard + 2 Soft anti-vibration kit
 - ZEUS HIGH ARTICULATED volcanic rubber anti-vibration feet
- WITH HEATING CABLE 3 m:
- Includes 15 W/m 3 m heating cable
 - Coupling for condensate drain pipe Ø 16
- WITH HEATING CABLE 3 + 3 m
- Includes 15 W/m 3 m + 3 m (6 m total) heating cable
 - Coupling for condensate drain pipe Ø 20
 - Equipped with a condensate drain pipe securing clamp
 - With 3 m insulated condensate drain pipe

ELECTRICAL HEATING CABLE SPECIFICATIONS:

- Heating cable diameter 6 mm
- Power supply voltage 230 V
- Resistance tolerances -5% / +10%

- Activation of element at +3°C
- Built-in thermal sensor



DIMENSIONS

CODE	A [mm]	B [mm]	C [mm]	D [mm]	P [mm]	P1 [mm]	LOAD CAPACITY [kg]
SCD500493	845	345 ÷ 400	520	410	400 ÷ 800	150 ÷ 350	150
SCD500494	1050	345 ÷ 400	520	410	400 ÷ 1000	150 ÷ 350	150
SCD500495	1250	345 ÷ 400	620	520	600 ÷ 1100	250 ÷ 450	190
SCD500496	845	345 ÷ 400	520	410	400 ÷ 800	150 ÷ 350	150
SCD500497	1050	345 ÷ 400	520	410	400 ÷ 1000	150 ÷ 350	150
SCD500498	1250	345 ÷ 400	620	520	600 ÷ 1100	250 ÷ 450	190
SCD500499	845	345 ÷ 400	520	410	400 ÷ 800	150 ÷ 350	150
SCD500500	1050	345 ÷ 400	520	410	400 ÷ 1000	150 ÷ 350	150
SCD500501	1250	345 ÷ 400	620	520	600 ÷ 1100	250 ÷ 450	190

ITEMS

CODE	DESCRIPTION
SCD500493	
SCD500494	
SCD500495	
SCD500496	
SCD500497	
SCD500498	
SCD500499	
SCD500500	
SCD500501	

All rights relating to this publication are the exclusive property of Tecnosystemi SpA.
Tecnosystemi SpA reserves the right to make changes at any time and without notice, for technical or commercial needs.

