

# ZEUS HIGH ARTICULATED

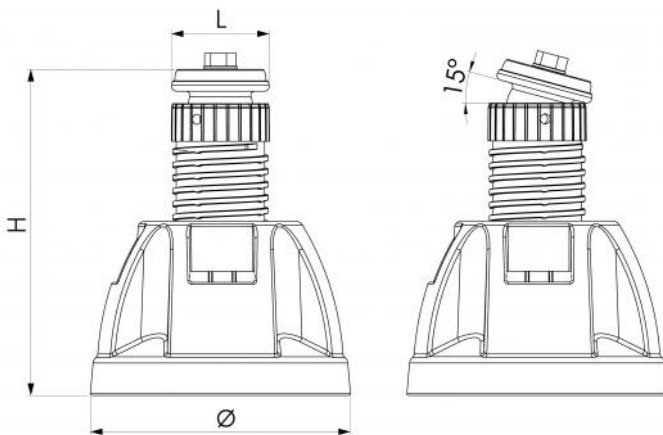
## anti-vibration foot in vulcanised rubber SBR

- cod. SCD500279 - cod. SCD500280 - cod. SCD500351



## DESCRIPTION

The anti-vibration feet are made of recycled SBR vulcanized rubber, an eco-friendly and anti-abrasive material. The feet are designed to offer a safe and stable base for conditioners, heat pumps and dehumidifiers, preventing movement, vibrations and noise during operation.



## DIMENSIONS

CODE	H [mm]	L [mm]	Ø [mm]	Load capacity [kg]
SCD500279	150 ÷ 205	60	160	500
SCD500280	200 ÷ 255	60	160	500
SCD500351	200 ÷ 255	60	160	500

## REFERENCES



- [1] Fixing screw M8x50
- [2] Adjustable joint
- [3] Height-adjustment nut with non-slip knurling
- [4] 2 built-in installation boxes for spirit level insertion

## AVAILABLE MODELS

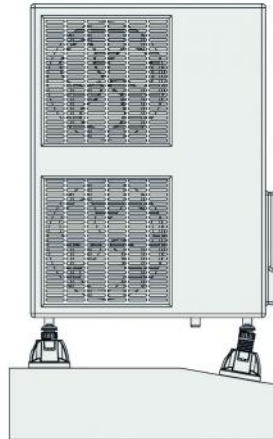
SHORT



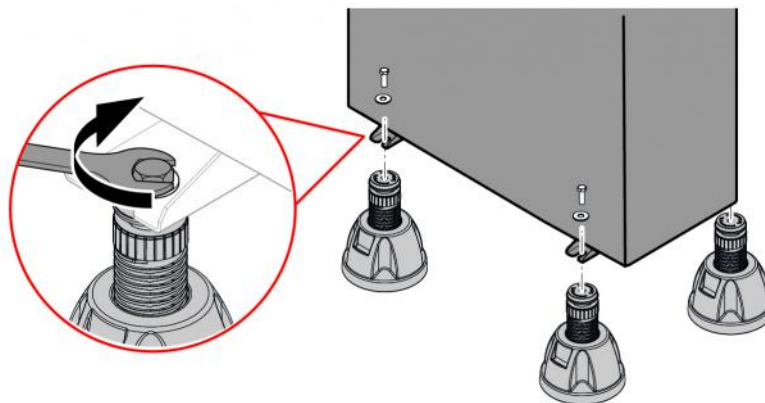
LONG



## ASSEMBLY APPLICATIONS



## EXAMPLE OF ASSEMBLY



## ITEMS

CODE	DESCRIPTION
SCD500279	VULCANIZED RUBBER FLOOR SUPPORT - ADJUSTABLE AND ARTICULATED - "ZEUS" H.70 SHORT (PACK OF 4 PCS)
SCD500280	VULCANIZED RUBBER FLOOR SUPPORT - ADJUSTABLE AND ARTICULATED - "ZEUS" H.100 LONG (PACK OF 4 PCS)
SCD500351	ADJUSTABLE AND ARTICULATED FLOOR-STANDING FOOT MODEL ZEUS H.100 (PACK OF 6)

All rights relating to this publication are the exclusive property of Tecnosystemi SpA.  
 Tecnosystemi SpA reserves the right to make changes at any time and without notice, for technical or commercial needs.