

ZEUS R

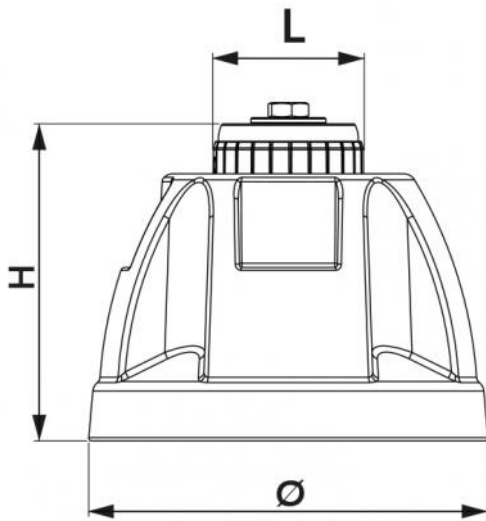
adjustable vibration dampening foot in SBR vulcanised rubber

- cod. SCD500278



TECHNICAL SPECIFICATIONS:

- Anti-vibration device included
- Made of recycled SBR vulcanized rubber, derived from 100% recycled granules
- Height adjustable from 130 - 150 mm
- Non-slip knurling adjustment
- Adjustable Joint
- No. 2 seats for spirit level insertion
- Vite di fissaggio M10 x 50
- Prepared for floor mounting
- Bolla Ø 9,5x40 in dotazione



DIMENSIONS

CODE	H [mm]	Ø [mm]	L [mm]	Portata [kg]
SCD500278	130 ÷ 150	160	60	500

ITEMS

CODE	DESCRIPTION
SCD500278	VULCANIZED RUBBER FLOOR SUPPORT - ADJUSTABLE - "ZEUS" (PACK OF 4 PCS)

All rights relating to this publication are the exclusive property of Tecnosystemi SpA.
 Tecnosystemi SpA reserves the right to make changes at any time and without notice, for technical or commercial needs.

