

ZEUS

vibration damper foot in vulcanised SBR rubber with threaded bar

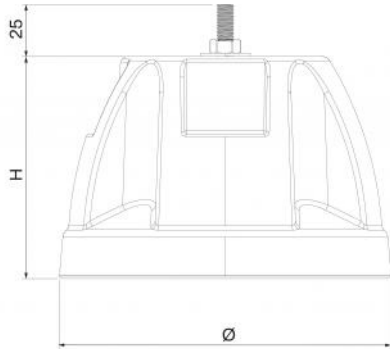
- cod. SCD500472



DESCRIPTION

The ZEUS vibration damper foot is made from a characteristic granular structure of vulcanised recycled rubber (SBR). The foot is equipped with an M8 threaded rod (to be assembled) for securing the outdoor units through the use of M8 frog bolt (supplied).

There are 2 built-in installation boxes for spirit level insertion.



DIMENSIONS

CODE	H [mm]	Ø [mm]	Load capacity [kg]
SCD500472	107	160	500

ITEMS

CODE	DESCRIPTION
SCD500472	

All rights relating to this publication are the exclusive property of Tecnosystemi SpA.
 Tecnosystemi SpA reserves the right to make changes at any time and without notice, for technical or commercial needs.

