

EOLO MINI

custom insulated plenum for units ducted in sintered expanded polystyrene



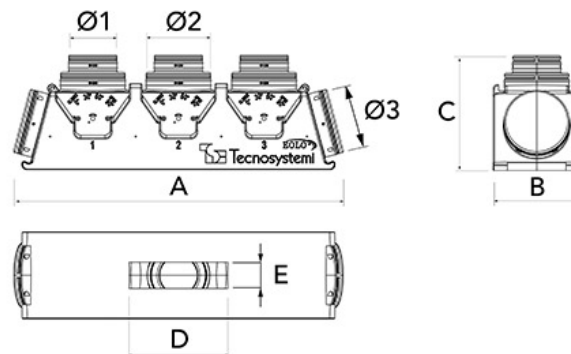
DESCRIPTION

Small and space-saving sintered polystyrene foam plenum model. The \varnothing 150/200 front collars have greatly reduced the dimensions. They are ideal for false ceilings with reduced thicknesses and footprint.

TECHNICAL SPECIFICATIONS:

- Made of sintered expanded polystyrene
- Thermal conductivity: 0.030 / 0.033 W/mK with respect to the EN 12667 / EN 12939 standard
- Resistance to vapour 40 / 70 μ in relation to EN 12086
- Operating temperature - 30° / + 90°
- Water absorption % volume in relation to EN 12087
- Reaction to fire class E according to EN- ISO - 11925 - 2
- Thermal performance thickness 30 mm 0.95 m²K/W
- Made of graphite-infused EPS material
- Collars integrated into plenum
- Total depth including collar 350 mm
- Machine fastening flange included
- Front collars 150/125mm
- Side collars 200mm

DIMENSIONS



All rights relating to this publication are the exclusive property of Tecnosystemi SpA.
 Tecnosystemi SpA reserves the right to make changes at any time and without notice, for technical or commercial needs.