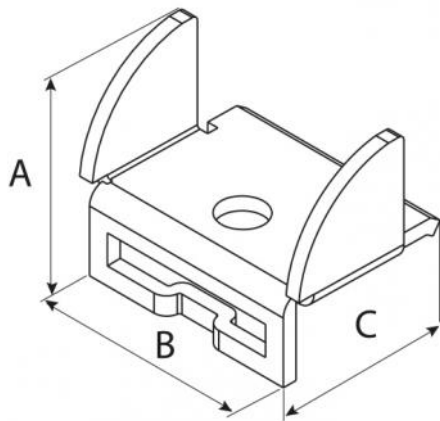


# HPB

locking plate for profile FVP300

- cod. 11110717 - cod. 11110717BOX



## DIMENSIONS

| CODE        | A [mm] | B [mm] | C [mm] | Ø FORO [mm] |
|-------------|--------|--------|--------|-------------|
| 11110717    | 33     | 43     | 30,8   | 8,5         |
| 11110717BOX | 33     | 43     | 30,8   | 8,5         |

## TECHNICAL SPECIFICATIONS:

- Material: AISI 304 stainless steel
- For fixing FVP 500/400/300 profiles
- Equipped with fall-arrest sliding slot
- Complete with rear nut lock
- Compatible with the range of tile and roof-clip brackets

## ITEMS

| CODE        | DESCRIPTION                                    |
|-------------|--|
| 11110717    | LOCKING PLATE HPB FOR PROFILE FDP              |
| 11110717BOX | LOCKING PLATE HPB FOR PROFILE FDP - BOX 50 pcs |

All rights relating to this publication are the exclusive property of Tecnosystemi SpA.  
 Tecnosystemi SpA reserves the right to make changes at any time and without notice, for technical or commercial needs.