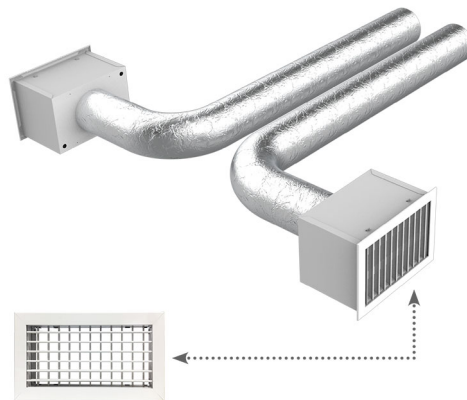


# KIT RAPID for PROAIR PACK 2 zones with Ø 125 connections and grilles in anti- condensation ABS plastic with adjustable flaps

- cod. GAC500014



## DESCRIPTION

The "KIT RAPID" are designed to complete the "PROAIR PACK" ventilation systems.

When creating a ducted air conditioning system, the pre-packaged kits facilitate the customer in choosing the items necessary for the distribution of air in the individual environments, without the possibility of error.

The "KIT RAPID" are available for the "PROAIR PACK" systems with 2 - 3 - 4 - 5 - 6 zones with circular connections of Ø 125 / 150 / 200 mm.

The possibility of choosing between delivery grilles with adjustable flaps, with 15° inclined flaps and with linear diffusers with 2 slots, provides everything needed to create and complete the installation of the ducted unit with high quality products, with every detail covered from a technical, functional and aesthetic point of view.

The regulation of the temperature and air flow of the single zone is managed by the "Proair Pack" system chronothermostats that are used to achieve the maximum performance and optimum comfort inside homes or offices.

ATTENTION: the plenum is included in the "Proair Pack"

## COMPOSITION OF THE KIT

The kit can be customised upon request.

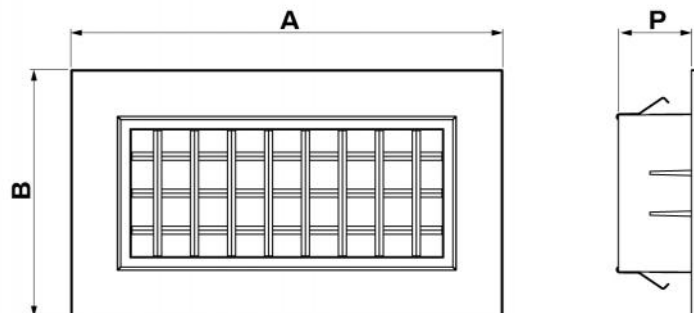
CODE	DESCRIPTION	Qty.
PWD100016	INTAKE AND SUPPLY GRILLE IN ABS PLASTIC 300x100	2
PWD402431	PLENUM IN PS WITH TELESCOPIC REAR COLLAR FOR 300X100 GRILLE	2
11152127	THERMAL FLEXIBLE DUCTED PIPE - DOUBLE- WALLED ARMoured ALUMINIUM PHONIC Ø127 mm L.10 m	1
WB11161525	INTAKE GRILLE IN WHITE PAINTED ALUMINIUM - 600X400 - REMOVABLE FILTER	1
	HOSE CLAMPS	4

## INTAKE AND SUPPLY GRILLE IN ABS PLASTIC

The BPAP grille is made of anti-UVA WHITE ABS and is equipped with adjustable plastic fins.

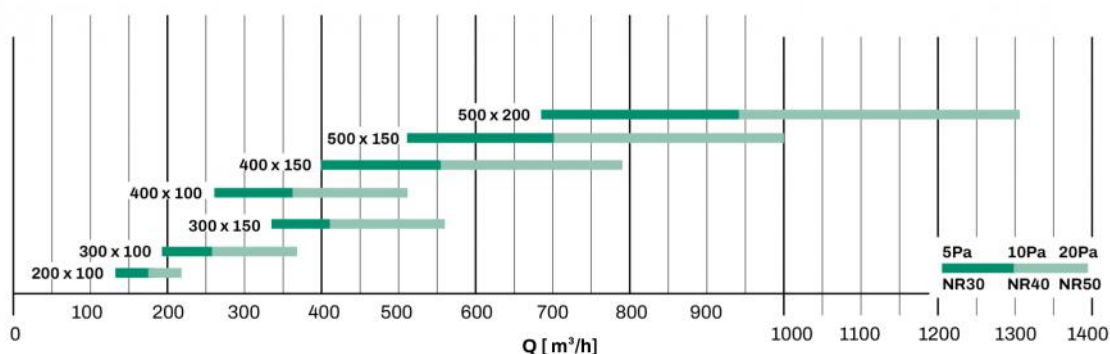


## DIMENSIONS



CODE	EXTERNAL DIMENSION AxB [mm]	INST. HOLE (A-34) x (B-34) [mm]	INTERNAL DIMENSIONS A-49 x B-49 [mm]	P [mm]
PWD100015	234 x 134	200 x 100	185 x 85	40
PWD100016	334 x 134	300 x 100	285 x 85	40
PWD100014	334 x 184	300 x 150	285 x 135	40
PWD100017	434 x 134	400 x 100	285 x 85	40
PWD100018	434 x 184	400 x 150	385 x 135	40
PWD100024	534 x 184	500 x 150	485 x 135	40
PWD100025	534 x 234	500 x 200	485 x 185	40

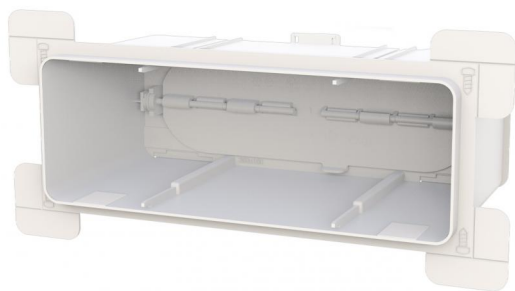
## LOAD CAPACITY QUICK SELECTION CHART



## NOTE

For more information regarding pressure drops, front sections and sound power level, refer to the technical data sheet of the grille.

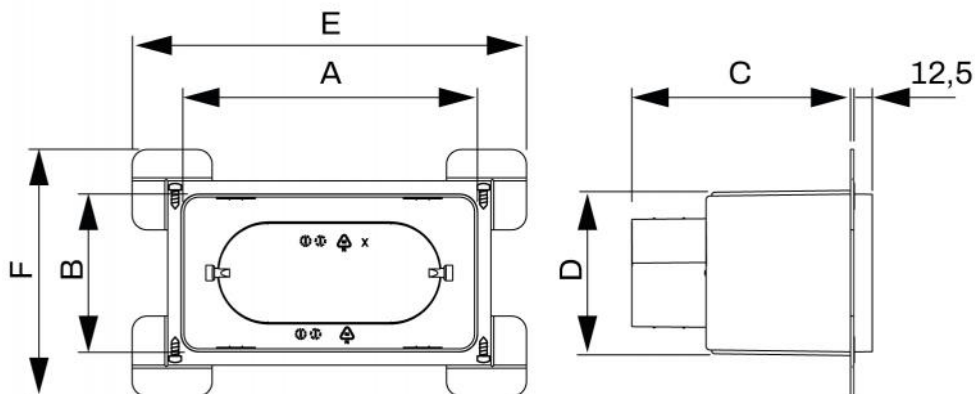
## WHITE POLYSTYRENE PLENUM



The WALL BOX plenum is made of white PS (polystyrene) plastic and is equipped with a telescopic rear collar for hoses, adjustable calibration damper, fixing flaps for plasterboard, spirit level and side clips for locking the pipe.

Zefiro  Box

## DIMENSIONS



A [mm]	B [mm]	C [mm]	D [mm]	E [mm]	F [mm]	Ø PLENUM NECK
200	100	150	110	270	170	125
400	100	190	120	470	170	150 - 165 - 180 - 200
300	150	190	150	370	210	150 - 165 - 180 - 200
400	150	190	150	470	210	150 - 165 - 180 - 200
500	150	190	150	570	210	150 - 165 - 180 - 200
500	200	190	180	570	250	200
300	100	190	120	370	170	150 - 165 - 180 - 200

## NOTE

For more information on assembly, use and possible applications, refer to the technical sheet of the WALL BOX plenum.

## PHONIC THERMAL FLEXIBLE DUCTED HOSE



The flexible ducted pipe is lined externally with reinforced anti-vapour aluminium laminate, while internally the duct is made of aluminium laminate and insulation mat in fibre glass with a thickness of 25 mm and a density of 16 kg/m<sup>3</sup>.

Fire reaction class (in accordance with NF p92-507:2004): M1.

## DIMENSIONS

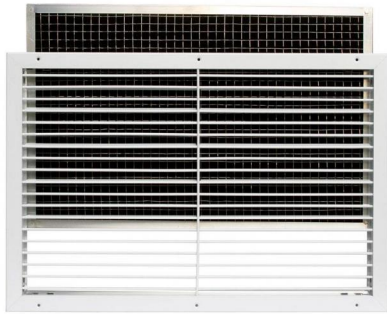
CODE	INTERNAL Ø [mm]	LENGTH [m]
11152080	85	10
11152102	102	10
11152127	127	10
11152140	140	10
11152152	152	10
11152160	160	10
PWC400016	165	10
11152180	180	10
11152204	203	10
11152254	254	10
11152305	305	10
11152356	356	10
11152457	457	10

## NOTE

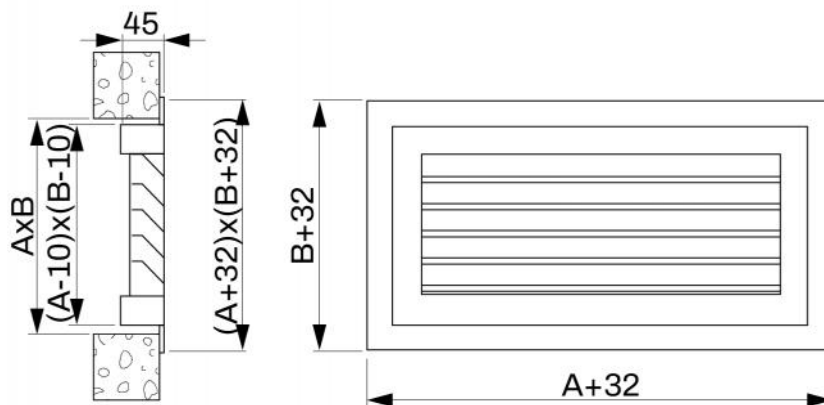
For more information on pressure losses and acoustic attenuation, refer to the technical data sheet of the double-walled aluminium flexible ducted hose.

## INTAKE GRILLE IN ALUMINIUM

Air intake grille made of white painted aluminium with removable grade G2 filter.



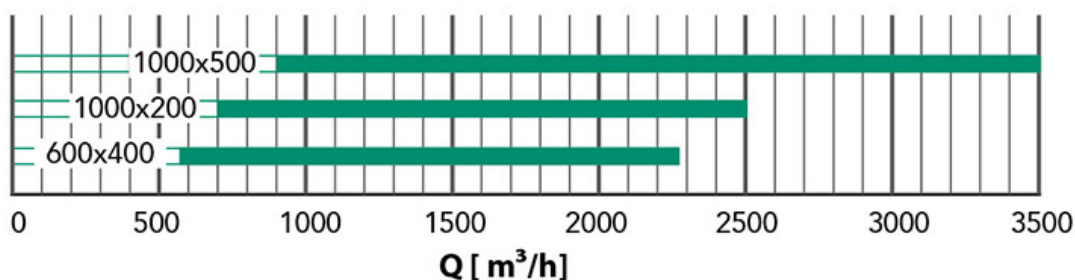
## DIMENSIONS



## DIMENSIONS

CODE	INSTALLATION HOLE $A \times B$ [mm]	EXTERNAL DIMENSIONS [mm]	BACK NECK [mm]	REAR COLLAR DEPTH [mm]
WB11161525	600 x 400	632 x 432	590 x 390	45
WB11161526	1000 x 200	1032 x 232	990 x 190	45
WBF11161556	1000 x 500	1032 x 532	990 x 490	45

## RAPID AIR FLOW SELECTION



## NOTE

For further information, refer to the technical data sheet of the painted aluminium intake grille with removable filter.

**ITEMS**

CODE	DESCRIPTION
GAC500014	KIT RAPID 2 ZONES - (COUPLING Ø 125 mm)

All rights relating to this publication are the exclusive property of Tecnosystemi SpA.  
Tecnosystemi SpA reserves the right to make changes at any time and without notice, for technical or commercial needs.