

Safety and check valve with lever for fluids

- cod. SGC500012

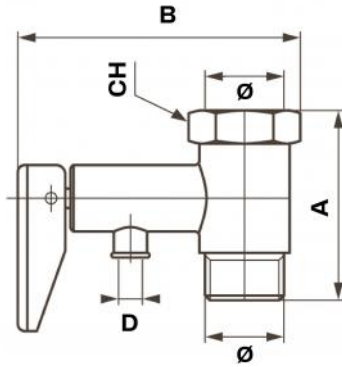


TECHNICAL SPECIFICATIONS:

- Body in CW617N brass
- Stainless steel springs AISI 302
- Nominal pressure from 6 to 10 bar
- Range tolerance $\pm 5\%$
- Operating temperature: $0^{\circ}\text{C} \div +95^{\circ}\text{C}$
- Efflux coefficient 0.05
- Inlet / outlet connections G 1/2" ; M - G 1/2" ; F
- Suitable for use with Glycol and Water

CONFORMITY

Product compliant with Directive 2014/68/EU (PED)



DIMENSIONI

SGC500012	45	65	25	9	1/2"
-----------	----	----	----	---	------

ARTICOLI

CODICE	DESCRIPTION
SGC500012	WP142 SAFETY AND NON-RETURN VALVE FOR FLUIDS WITH DRAIN LEVER

All rights relating to this publication are the exclusive property of Tecnosystemi SpA.
 Tecnosystemi SpA reserves the right to make changes at any time and without notice, for technical or commercial needs.