

Solenoid valve normally closed for water and light oils

- cod. 22000000 - cod. 22000010 - cod. 22000020
- cod. 22000030



DESCRIPTION

Parker pilot operated servo valves are the ideal solution for perfect control of fluids such as water and light oils. The valves require a minimum pressure differential to operate correctly. Using a solenoid pilot system, this product ensures a high flow rate, a very fast reaction time and superb reliability in a modern and robust design.

APPLICATIONS

Due to their high performance, they can be used in a variety of applications, providing excellent flow rates with fluids such as water, hot water (up to 90°C) and light oils (up to 2°E). Typical applications are hydraulic pipelines, industrial washing machines, car washes, machine tool cooling, pressure washers, autoclaves, irrigation systems, etc. They are not suitable for gas and air.

TECHNICAL SPECIFICATIONS:

- Moulded brass valve body OT58 UNI 5705
- NBR seals (BUNA N) - VITON
- 304 stainless steel sleeve
- AISI 430F stainless steel cores
- Stainless steel spring AISI 302
- Copper shading coil

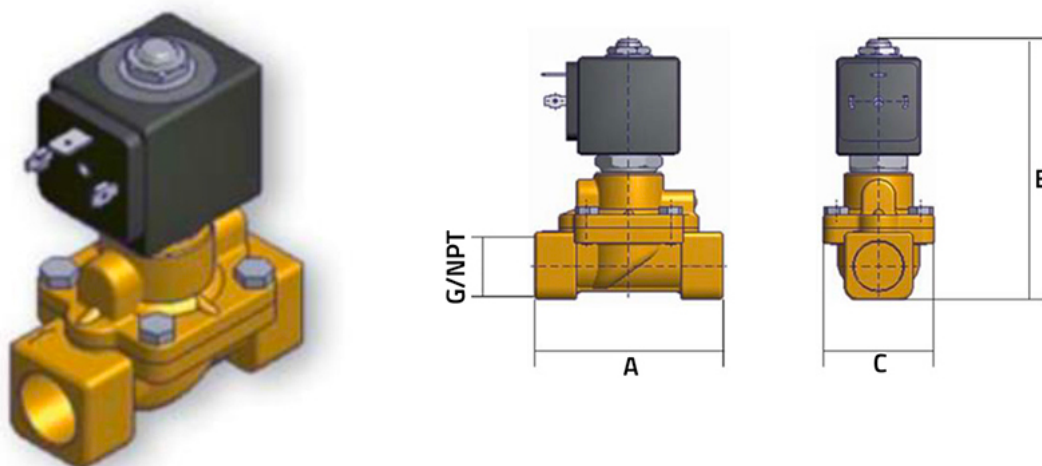
CONSTRUCTION

Valve body: CW617N UNI EN 12165:98 - Forged brass
 Pipe casing: AISI 304 Stainless steel
 Plunger: AISI 430F Stainless steel
 Spring: AISI 302 Stainless steel
 Sealing: NBR (Buna N)
 Protective ring: Copper

INSTALLATION

The valves can be supplied in either the normally closed (NC) or normally open (NO) configuration. They can be mounted in any position, but installation with the coil in a vertical position above the body is recommended. The valves are supplied without the electrical parts and accessories that must be selected separately.

FIGURE 1



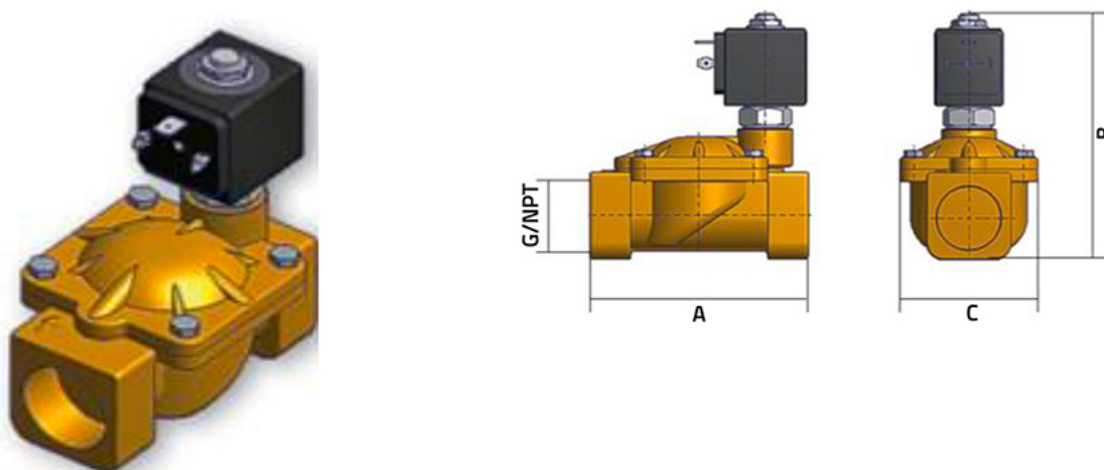
DIMENSIONS:

CODE	G/NPT	A [mm]	B [mm]	C [mm]
22000000	3/8"	69	110	40
22000010	1/2"	72	112	40

TECHNICAL DATA

CODE	G/NPT couplers	Orifice [mm]	Flow rate [m³/h]	Flow rate [l/min]	Minimum pressure [bar]	Max differential feed pressure [bar]	Weight [kg]
22000000	3/8"	13	3	49,98	0,1	20	0,55
22000010	1/2"	13	3	49,98	0,1	20	0,58

FIGURE 2



DIMENSIONS:

CODE	G/NPT	A [mm]	B [mm]	C [mm]
22000000	3/4"	100	117,5	65
22000010	1"	104	123	65

TECHNICAL DATA

CODE	G/NPT couplers	Orifice [mm]	Flow rate [m³/h]	Flow rate [l/min]	Minimum pressure [bar]	Max differential feed pressure [bar]	Weight [kg]
22000000	3/4"	20	8,4	139,94	0,1	20	1,02
22000010	1"	25	9,6	159,94	0,1	20	1,08

ITEMS

CODE	DESCRIPTION
22000000	NORMALLY CLOSED SOLENOID VALVE FOR WATER, AIR AND INERT GAS 3/8"
22000010	NORMALLY CLOSED SOLENOID VALVE FOR WATER, AIR AND INERT GAS 1/2"
22000020	NORMALLY CLOSED SOLENOID VALVE FOR WATER, AIR AND INERT GAS 3/4"
22000030	NORMALLY CLOSED SOLENOID VALVE FOR WATER, AIR AND INERT GAS 1"

All rights relating to this publication are the exclusive property of Tecnosystemi SpA.
Tecnosystemi SpA reserves the right to make changes at any time and without notice, for technical or commercial needs.