

OPTIMA CLEAN FULL COVER

OPT FC CLEAN DUCT

- cod. SCD100542 - cod. SCD100543 - cod. SCD100544
- cod. SCD100545



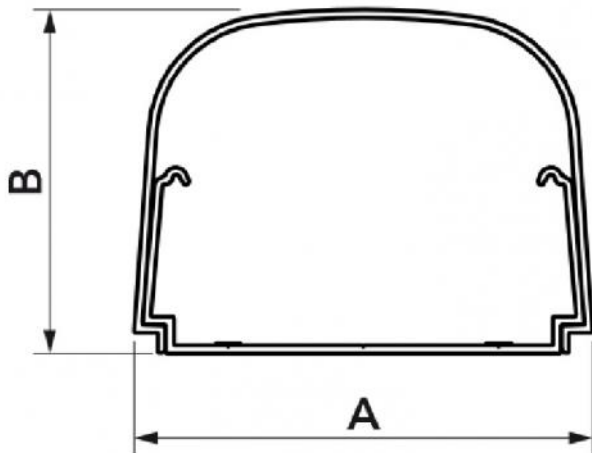
TECHNICAL SPECIFICATIONS:

- Rigid shockproof PVC, anti-UVA, white
- Sharp-edged floor in UV-resistant PVC, made from 100% recycled internal production scrap
- Pre-punched slots for wall mounting
- Prepared for insertion of the mini pumps Easy Flow, Easy One, Aqua Split (only model T 75-OPT-FC)
- Wall flush closure
- Rounded cover
- Bar length 2 m
- Paintable with light-colored paints
- Operating temperature -20°C / +60°C

MODELS AVAILABLE:



WHITE



DIMENSIONS

CODE	MODEL	A [mm]	B [mm]
SCD100542	T 62 - OPT-FC CLEAN	62	46
SCD100543	T 75 - OPT-FC CLEAN	74	56
SCD100544	T 102 - OPT-FC CLEAN	100	66
SCD100545	T 135 - OPT-FC CLEAN	135	82

ITEMS

CODE	DESCRIPTION
SCD100542	DUCT LINE OPTIMA T FULL COVER T62 - OPT FC CLEAN
SCD100543	DUCT LINE OPTIMA T FULL COVER T75 - OPT FC CLEAN
SCD100544	DUCT LINE OPTIMA T FULL COVER T102 - OPT FC CLEAN
SCD100545	DUCT LINE OPTIMA FULL COVER T135-OPT FC CLEAN

All rights relating to this publication are the exclusive property of Tecnosystemi SpA.
 Tecnosystemi SpA reserves the right to make changes at any time and without notice, for technical or commercial needs.