

OPTIMA T FULL COVER

duct

- cod. SCD100102 - cod. SCD100103 - cod. SCD100104
- cod. SCD100124



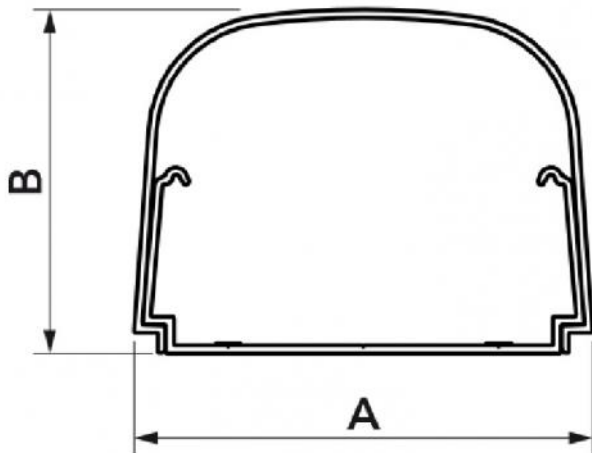
TECHNICAL SPECIFICATIONS:

- Rigid shockproof PVC, anti-UVA, white
- Sharp-edged bottom
- Pre-punched slots for wall mounting
- Prepared for insertion of the mini pumps Easy Flow, Easy One, Aqua Split (only model T 75-OPT-FC)
- Wall flush closure
- Rounded cover
- Bar length 2 m
- Paintable with light-colored paints
- Operating temperature -20°C / +60°C

MODELS AVAILABLE:



WHITE



DIMENSIONS

CODE	MODEL	A [mm]	B [mm]
SCD100102	T 62 - OPT-FC	62	46
SCD100103	T 75 - OPT-FC	74	56
SCD100104	T 102 - OPT-FC	100	66
SCD100124	T 135 - OPT-FC	135	82

ITEMS

CODE	DESCRIPTION
SCD100102	"OPTIMA T" T62 TRUNKING FULL COVER - 2 mT. Long - WHITE - T62 -OPT-FC
SCD100103	"OPTIMA T" T75 TRUNKING FULL COVER - 2 mT. long - WHITE - T75 -OPT-FC
SCD100104	"OPTIMA T" T102 TRUNKING FULL COVER - 2 mT. long - WHITE - T102 -OPT-FC
SCD100124	"OPTIMA T" T135 TRUNKING FULL COVER - 2 mT. long - WHITE - T135 -OPT-FC

All rights relating to this publication are the exclusive property of Tecnosystemi SpA.
 Tecnosystemi SpA reserves the right to make changes at any time and without notice, for technical or commercial needs.