

OPTIMA TMR CLEAN

flanged round wall-mounted terminal CLEAN

- cod. SCD100624 - cod. SCD100625 - cod. SCD100626
- cod. SCD100627



TECHNICAL SPECIFICATIONS:

- Stiff, shockproof, anti-UVA and recyclable PVC
- Innovative design
- Ultra-fast interlocking fastening system
- Large outer flange hole cover
- Extremely high outer finish
- Heat shrink barcode packaging
- Paintable with light-colored paints
- Operating temperature -20°C / + 60°C

DESCRIPTION

Flanged round wall-mounted terminal for ducts of the OPTIMA series, in high impact resistance plastic, recyclable. The terminal was designed with a quick and easy slot-in fixing system. The wall terminal has a large external flange with an innovative round shape, pre-cut slots for the discharge pipe outfeed and 3 pre-cut holes for wall fixing if required. The PVC characteristics ensure use at temperatures from -20°C to +60°C.

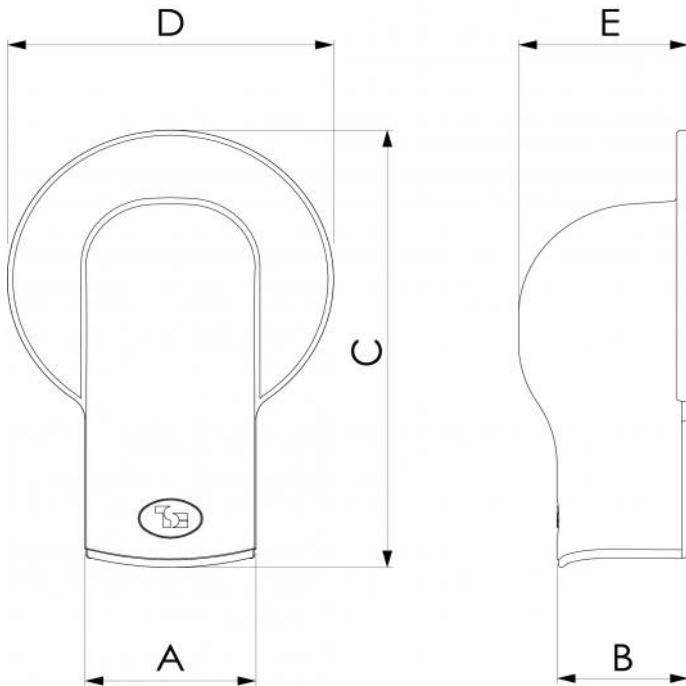
APPLICATIONS

Conditioning systems.
Wall installation both indoors and outdoors.

AVAILABLE MODELS



WHITE

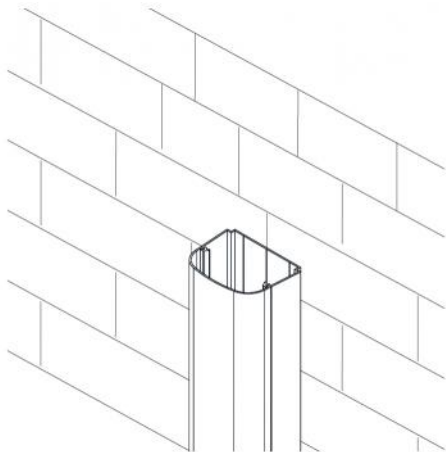


DIMENSIONS

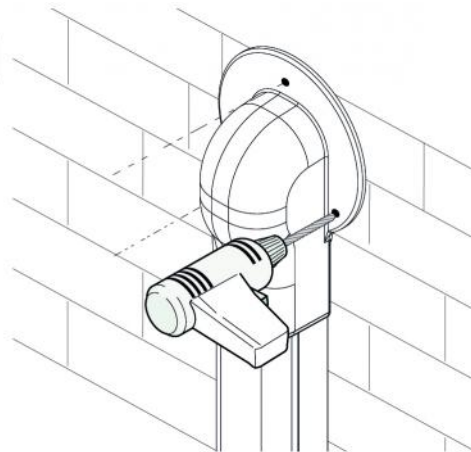
CODE	MODEL	A [mm]	B [mm]	C [mm]	D [mm]	E [mm]
SCD100624	TMR OPT 62 CLEAN	63	48	176	120	62
SCD100625	TMR OPT 75 CLEAN	77	58	207	140	75
SCD100626	TMR OPT 102 CLEAN	100	67	237	170	85
SCD100627	TMR OPT 135 CLEAN	135	84	277	212	100

EXAMPLE OF FIXING WITH SCREWS

1

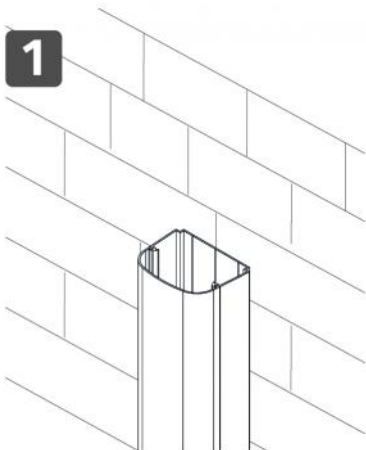


2

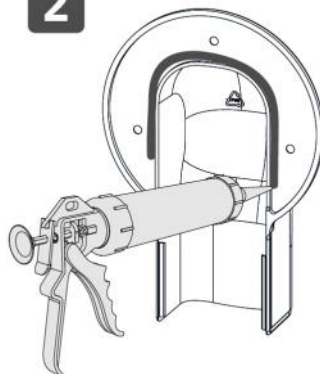


EXAMPLE OF FIXING WITH SILICONE AND SCREWS

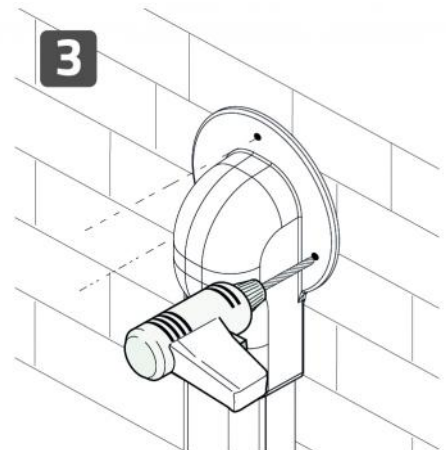
1



2



3



ITEMS

CODE	DESCRIPTION
SCD100624	ROUND FLANGED WALL-MOUNTED TERMINAL OPTIMA TMR 62 OPT CLEAN
SCD100625	ROUND FLANGED WALL-MOUNTED TERMINAL OPTIMA TMR 75 OPT CLEAN
SCD100626	ROUND FLANGED WALL-MOUNTED TERMINAL OPTIMA TMR 102 OPT CLEAN
SCD100627	ROUND FLANGED WALL-MOUNTED TERMINAL OPTIMA TMR 135 OPT CLEAN

All rights relating to this publication are the exclusive property of Tecnosystemi SpA.
Tecnosystemi SpA reserves the right to make changes at any time and without notice, for technical or commercial needs.