

OPTIMA TS

pipe output terminal

- cod. 11106035 - cod. 11106036 - cod. 11106037
- cod. SCD100440 - cod. SCD100441 - cod. SCD100393
- cod. SCD100394



TECHNICAL SPECIFICATIONS:

- High impact resistance plastic, recyclable
- Innovative design
- Ultra-fast interlocking fastening system
- Extremely high outer finish
- Heat shrink barcode packaging
- Paintable with light-colored paints
- Operating temperature -20°C / +60°C
- Coloured operating temperature -20°C / +75°C

MODELS AVAILABLE:



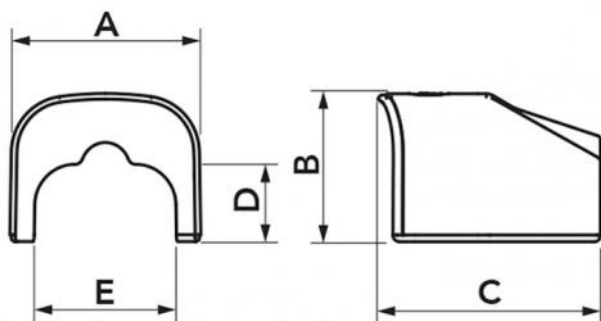
WHITE



ANTHRACITE
GREY



BLACK



DIMENSIONS

| CODE | MODEL | A [mm] | B [mm] | C [mm] | D [mm] | E [mm] |
|-----------|----------------|--------|--------|--------|--------|--------|
| 11106035 | TS 62 - OPT W | 66 | 48 | 76 | 30 | 50 |
| 11106036 | TS 75 - OPT W | 78 | 58 | 90 | 30 | 56 |
| 11106037 | TS 102 - OPT W | 104 | 68 | 110 | 40 | 72 |
| SCD100440 | TS 75 - OPT G | 78 | 58 | 90 | 30 | 56 |
| SCD100441 | TS 102 - OPT G | 104 | 68 | 110 | 40 | 72 |
| SCD100393 | TS 75 - OPT B | 78 | 58 | 90 | 30 | 56 |
| SCD100394 | TS 102 - OPT B | 104 | 68 | 110 | 40 | 72 |

ITEMS

| CODE | DESCRIPTION |
|-----------|--|
| 11106035 | "OPTIMA TS" LINE PIPE OUTLET END FITTING - WHITE - TS62-OPT |
| 11106036 | "OPTIMA TS" LINE PIPE OUTLET END FITTING - WHITE - TS75-OPT |
| 11106037 | "OPTIMA TS" LINE PIPE OUTLET END FITTING - WHITE - TS102-OPT |
| SCD100440 | "OPTIMA TS" LINE PIPE OUTLET END FITTING - ANTHRACITE GREY - TS75-OPT |
| SCD100441 | "OPTIMA TS" LINE PIPE OUTLET END FITTING - ANTHRACITE GREY - TS102-OPT |
| SCD100393 | "OPTIMA TS" LINE PIPE OUTLET END FITTING - BLACK - TS75-OPT - TS75-OPT |
| SCD100394 | "OPTIMA TS" LINE PIPE OUTLET END FITTING - BLACK - TS102-OPT - TS102-OPT |

All rights relating to this publication are the exclusive property of Tecnosystemi SpA.
Tecnosystemi SpA reserves the right to make changes at any time and without notice, for technical or commercial needs.