

90° fitting for Ø 90 flexible hose and grid

- cod. 30100220



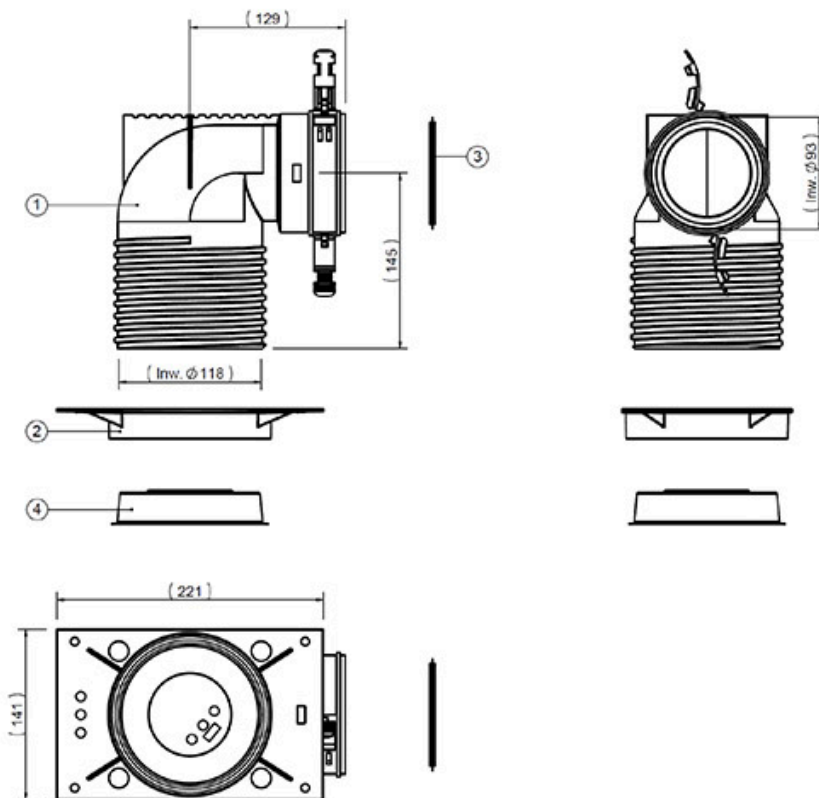
DESCRIPTION

90° connection for Ø92 flexible hose and grille.
Suitable for installing the two Lucina and Cloe grilles without any adapters

TECHNICAL SPECIFICATIONS:

- Material: PP
- Blue finish RAL 5015

DIMENSIONS



ITEMS

CODE	DESCRIPTION
30100220	FITTING 90° D.92

All rights relating to this publication are the exclusive property of Tecnosystemi SpA.
 Tecnosystemi SpA reserves the right to make changes at any time and without notice, for technical or commercial needs.