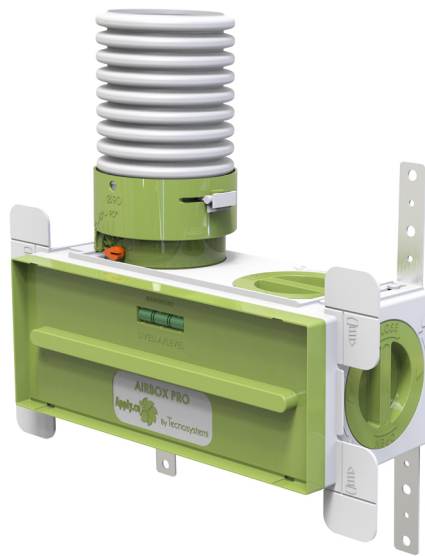


# AIRBOX

Plenum in PS plastic for MVHR

- cod. ACD600088 - cod. ACD600092 - cod. ACD600089  
- cod. ACD600090 - cod. ACD600091 - cod. ACD600157



## DESCRIPTION

The AIRBOX plenum in PS (polystyrene) plastic is the ideal solution for an efficient controlled mechanical ventilation system (MVHR).

AIRBOX offers easy installation and integration with the installed ventilation system.

The plenum is equipped with Ø75 or Ø90 sleeves used to connect the MVHR pipes at the rear, top or side.

The sleeves are complete with pipe holder and screwdriver-adjustable calibration dampers used to balance the air flow in the room.

The plaster protection cover Utile, complete with removal handle, is also useful.

The designer grilles Gemini, Virgo, Aries and Taurus are available to complete the plenum.

## APPLICATION:

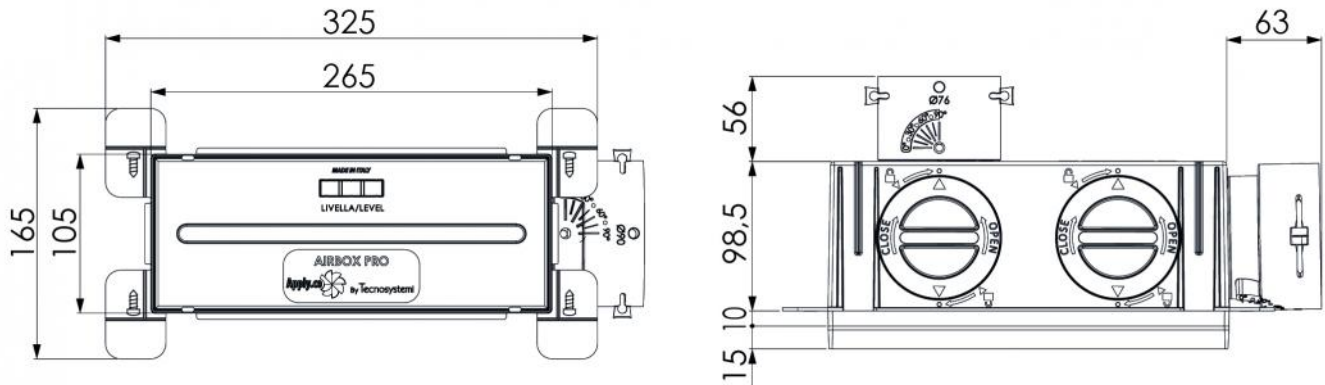
AIRBOX is applied to residential and commercial controlled mechanical ventilation systems.

AIRBOX is designed for fixing on plasterboard or walls with a minimum depth of 100 to 150 mm.

Fixing on plasterboard with self-threading screws is made easier with the side flaps.

The flaps can be removed for brick wall installation.

## DIMENSIONS



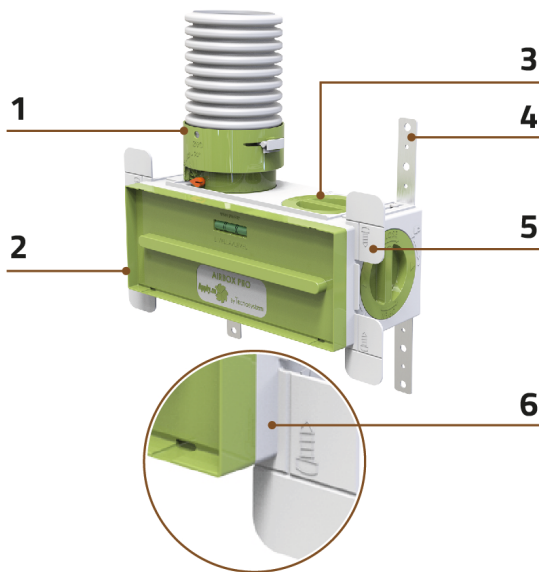
## POLYSTYRENE TECHNICAL FEATURES

|                                   | UNIT OF MEASUREMENT | REF. STANDARD | VALUE     |
|-----------------------------------|---------------------|---------------|-----------|
| Density:                          | g/cm <sup>3</sup>   | ISO 1183      | 1.05      |
| Flow index MFI (200°C / 5 kg)     | g/10 min            | ISO 1133      | /         |
| Shrinkage                         | %                   |               | 0,3 - 0,7 |
| Water absorption (24h/23°C)       | %                   | ISO 62        | 0.05      |
| Izod impact test (notch/23° C)    | KJ/m <sup>2</sup>   | ISO 180/1A    | 8         |
| Izod impact test (no notch/23° C) | KJ/m <sup>2</sup>   | ISO 180/1U    | 30        |
| Tensile strength                  | N/mm <sup>2</sup>   | ISO 527-2     | 20        |
| Tensile creep                     | %                   | ISO 527-2     | /         |
| Tensile strength                  | N/mm <sup>2</sup>   | ISO 527-2     | 18        |
| Elongation at break               | %                   | ISO 527-2     | /         |
| Modulus of elasticity             | N/mm <sup>2</sup>   | ISO 527-2     | /         |
| Modulus of elasticity in bending  | N/mm <sup>2</sup>   | ISO 178       | /         |
| HDT (0.455 Mpa)                   | °C                  | ISO 75-2      | 110       |
| HDT (1.820 Mpa)                   | °C                  | ISO 75-2      | 80        |
| VICAT (10 N)                      | °C                  | ISO 306       | n.a.      |
| VICAT (50 N)                      | °C                  | ISO 306       | n.a.      |
| Melting temperature               | °C                  | ISO 3146      | /         |

The above values are given for information purposes only.

Tecnosystemi S.p.A. reserves the right to make changes at any time and without notice.

## REFERENCES



- [1] Sleeve Ø75 or Ø90 with adjustable calibration damper
- [2] Plaster protection cover complete with spirit level and removal handle
- [3] Closing caps
- [4] Fixing brackets
- [5] Fixing flaps for plasterboard
- [6] Shim for plasterboard slab

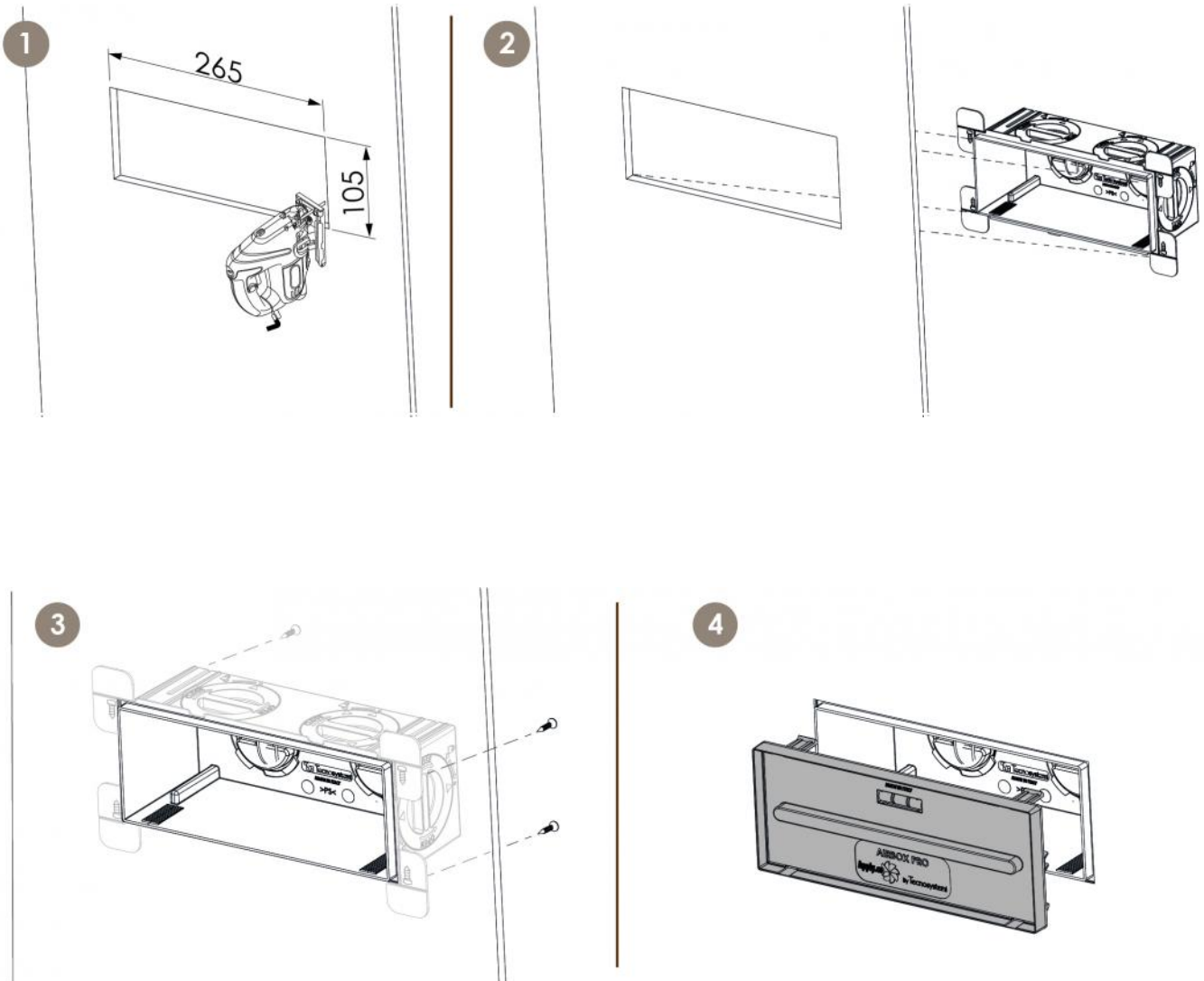
## CONTENTS OF KIT ACD600088

- 1 AIRBOX PRO plenum
- 1 sleeve diameter Ø75
- 1 gasket diameter Ø75
- 1 plenum lid with con spirit level
- 1 wall bracket kit (4 wall brackets + 4 screws plaster)
- 4 caps

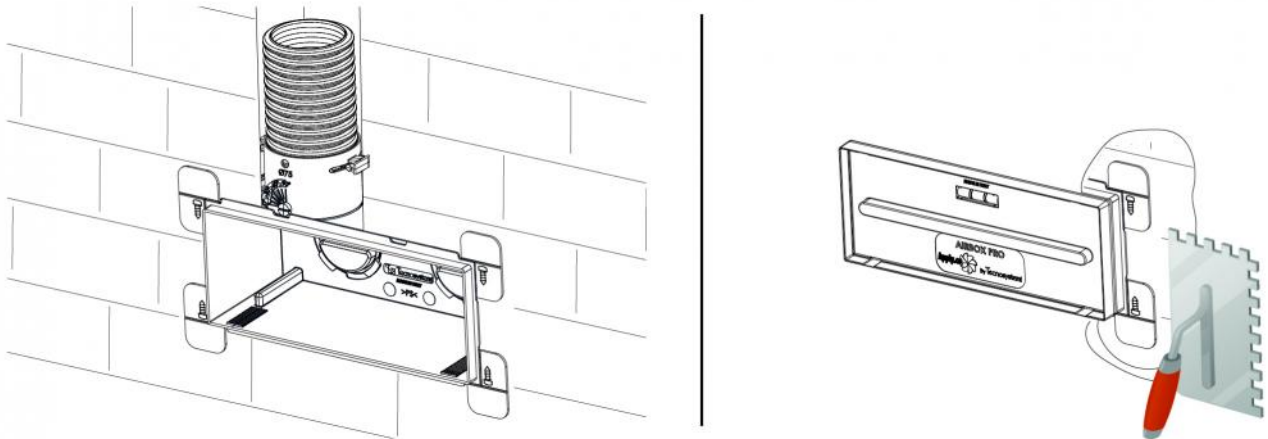
## CONTENTS OF KIT ACD600092

- 1 AIRBOX PRO plenum
- 1 sleeve diameter Ø90
- 1 gasket diameter Ø90
- 1 plenum lid with con spirit level
- 1 wall bracket kit (4 wall brackets + 4 screws plaster)
- 4 caps

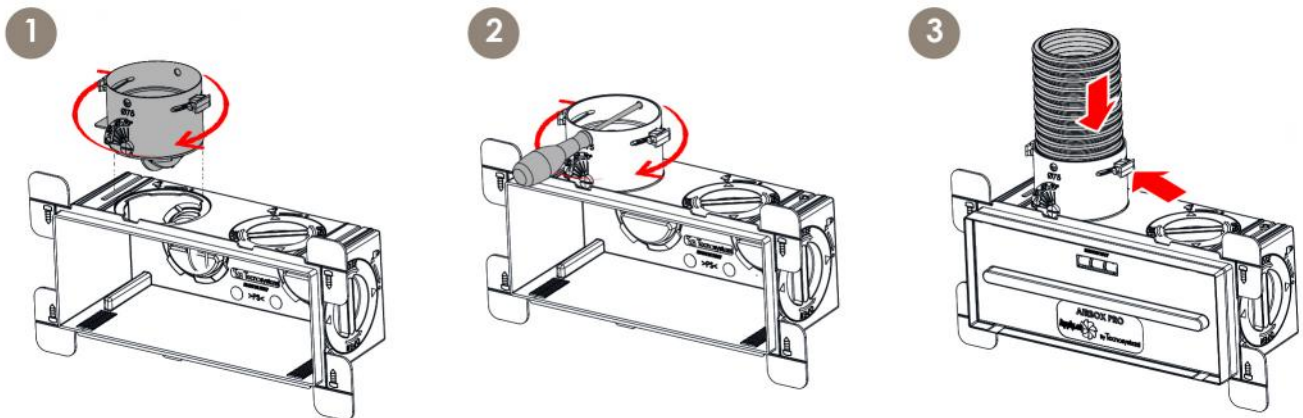
## EXAMPLES OF INSTALLATION ON PLASTERBOARD



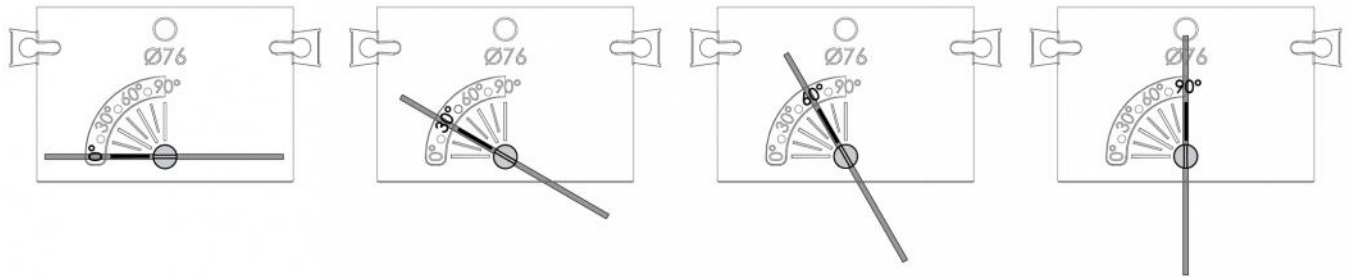
## EXAMPLES OF INSTALLATION ON WALLS



## EXAMPLE OF INSTALLATION:



## DAMPER ADJUSTMENT



Using a straight screwdriver, it is possible to adjust the calibration damper, balancing the air flow in the rooms where it is installed,

## SUITABLE DESIGNER GRILLES



Taurus



Gemini



Virgo



Aries

| CODE      | DESCRIPTION                  | LxH [mm] | AIR FLOW CAPACITY [m³/h] |
|-----------|------------------------------|----------|--------------------------|
| ACC600089 | DESIGNER GRILLE MODEL GEMINI | 297x135  | 40                       |
| ACC600090 | DESIGNER GRILLE MODEL VIRGO  | 297x135  | 60                       |
| ACC600091 | DESIGNER GRILLE MODEL ARIES  | 297x135  | 50                       |
| ACC600092 | DESIGNER GRILLE MODEL TAURUS | 297x135  | 70                       |

## ITEMS

| CODE      | DESCRIPTION   |
|-----------|---|
| ACD600088 | PLÉNUM IN POLYSTYRE WITH SLEEVE FOR PIPE Ø75 - "AIRBOX PRO" |
| ACD600092 | PLÉNUM IN POLYSTYRE WITH SLEEVE FOR PIPE Ø90 - "AIRBOX PRO" |
| ACD600089 | SLEEVE KIT FOR PIPE Ø75                                     |
| ACD600090 | SLEEVE KIT FOR PIPE Ø90                                     |
| ACD600091 | PLÉNUM  |
| ACD600157 | SET OF CAPS FOR CMV   |

All rights relating to this publication are the exclusive property of Tecnosystemi SpA.  
Tecnosystemi SpA reserves the right to make changes at any time and without notice, for technical or commercial needs.