

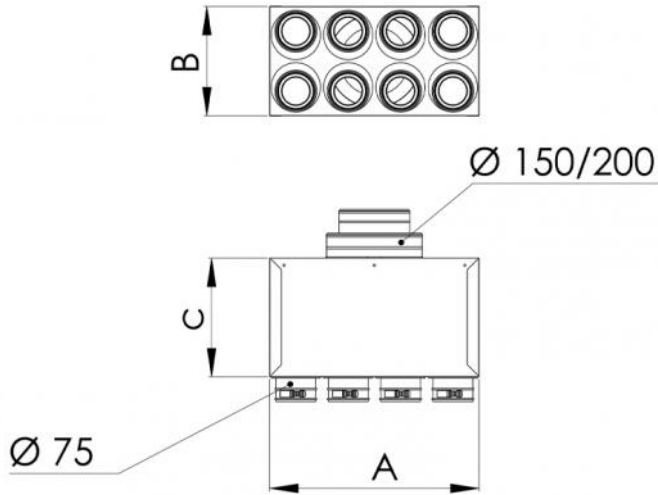
Galvanised metal sheet soundproofed plenum 4-6-8-10-12 outputs Ø 75 with connectors complete with calibration damper with adjustment

- cod. ACD600121 - cod. ACD600122 - cod. ACD600123
- cod. ACD600124 - cod. ACD600125 - cod. ACD600126
- cod. ACD600127



TECHNICAL SPECIFICATIONS:

- Made of galvanized metal sheet
- High sound insulation
- Internal sound absorber thickness 20mm
- Removable soundproofing septa
- Complete with brackets for ceiling mounting
- Output/input collars as per table
- Sleeves complete with calibration damper with graduated adjustment by screwdriver



DIMENSIONS

CODE	A [mm]	B [mm]	C [mm]	INPUT Ø [mm]	No.of OUTLETS - Ø [mm]
ACD600121	360	240	500	150 / 200	4 - 75
ACD600122	360	240	500	150 / 200	6 - 75
ACD600123	660	240	500	150 / 200	8 - 75
ACD600124	660	240	500	150 / 200	10 - 75
ACD600125	660	240	500	150 / 200	12 - 75
ACD600126	360	240	500	100 / 125 / 150	4 - 75
ACD600127	360	240	500	100 / 125 / 150	6 - 75

INSERTION LOSS

	Hz	63	125	250	500	1k	2k	4k	8k	(dBA)
ACD600121	(dB)	2.9	4.8	9.1	10.5	12.8	22.3	14.2	16.7	13
ACD600122	(dB)	2.9	4.8	9.1	10.5	12.8	22.3	14.2	16.7	13
ACD600123	(dB)	0.7	5.1	9.6	15.5	16.5	21	13	11.5	14.4
ACD600124	(dB)	0.7	5.1	9.6	15.5	16.5	21	13	11.5	14.4
ACD600125	(dB)	0.7	5.1	9.6	15.5	16.5	21	13	11.5	14.4
ACD600126	(dB)	2.9	4.8	9.1	10.5	12.8	22.3	14.2	16.7	13
ACD600127	(dB)	2.9	4.8	9.1	10.5	12.8	22.3	14.2	16.7	13

ITEMS

CODE	DESCRIPTION
ACD600121	PLÉNUM MADE OF GALVANIZED SHEET METAL Ø 75 - 4 OUTLETS 150/200
ACD600122	PLÉNUM MADE OF GALVANIZED SHEET METAL Ø 75 - 6 OUTLETS 150/200
ACD600123	PLÉNUM MADE OF GALVANIZED SHEET METAL Ø 75 - 8 OUTLETS 150/200
ACD600124	PLÉNUM MADE OF GALVANIZED SHEET METAL Ø 75 - 10 OUTLETS 150/200
ACD600125	PLÉNUM MADE OF GALVANIZED SHEET METAL Ø 75 - 12 OUTLETS 150/200
ACD600126	PLÉNUM MADE OF GALVANIZED SHEET METAL Ø 75 - 4 OUTLETS 100 / 125 /150
ACD600127	PLÉNUM MADE OF GALVANIZED SHEET METAL Ø 75 - 6 OUTLETS 100 / 125 /150

All rights relating to this publication are the exclusive property of Tecnosystemi SpA.
Tecnosystemi SpA reserves the right to make changes at any time and without notice, for technical or commercial needs.