

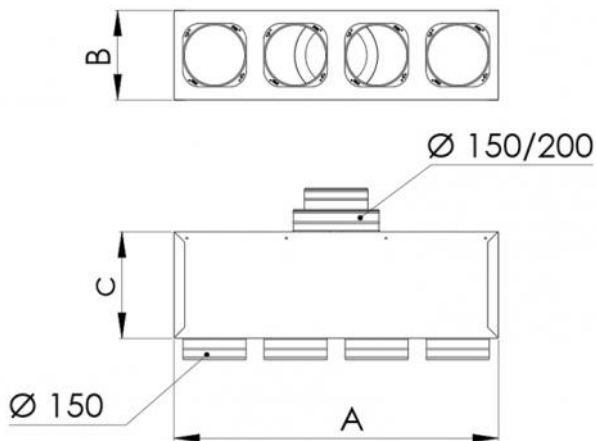
Insulated box in metal sheet for flexible ducted pipe 2 - 3 - 4 - 5 outputs Ø 150

- cod. ACD600001 - cod. ACD600002 - cod. ACD600003
- cod. ACD600004



TECHNICAL SPECIFICATIONS:

- Made of galvanized metal sheet
- External insulation in 3 mm thick polyethylene
- Air inlet collar with double diameter with hose connection Ø 150 - 200
- Outgoing collars as shown in the table
- Complete with brackets for ceiling mounting



DIMENSIONS

CODE	A [mm]	B [mm]	C [mm]	INPUT \varnothing [mm]	No.of OUTLETS - \varnothing [mm]
ACD600001	380	210	250	150 / 200	2 - 150
ACD600002	570	210	250	150 / 200	3 - 150
ACD600003	760	210	250	150 / 200	4 - 150
ACD600004	950	210	250	150 / 200	5 - 150

ITEMS

CODE	DESCRIPTION
ACD600001	PLÉNUM FOR FLEXIBLE HOSE WITH 2 OUTLETS, $\varnothing 150$
ACD600002	PLÉNUM FOR FLEXIBLE HOSE WITH 3 OUTLETS, $\varnothing 150$
ACD600003	PLÉNUM FOR FLEXIBLE HOSE WITH 4 OUTLETS, $\varnothing 150$
ACD600004	PLÉNUM FOR FLEXIBLE HOSE WITH 5 OUTLETS, $\varnothing 150$

All rights relating to this publication are the exclusive property of Tecnosystemi SpA.
 Tecnosystemi SpA reserves the right to make changes at any time and without notice, for technical or commercial needs.