

# Insulated distribution plenum for MVHR for flexible ducted hose 4-6-8-10-12 outputs Ø 90 with sleeves complete with calibration damper with adjustment

- cod. ACD600114 - cod. ACD600115 - cod. ACD600116  
- cod. ACD600117 - cod. ACD600118 - cod. ACD600119  
- cod. ACD600120



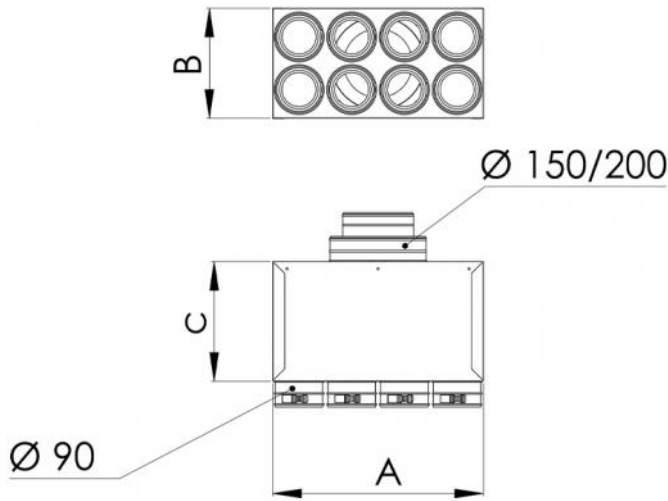
## DESCRIPTION

Distribution plenum for MVHR made of galvanised metal sheet and insulated externally with polyethylene (thk. 3 mm), designed for use with flexible ducted pipes.

The plenum has an inlet collar with double diameter Ø150 / Ø200 or triple diameter Ø100 / Ø125 / Ø150 (see dimensions table).

Prearranged with a pre-drilled inlet to be perforated as required.

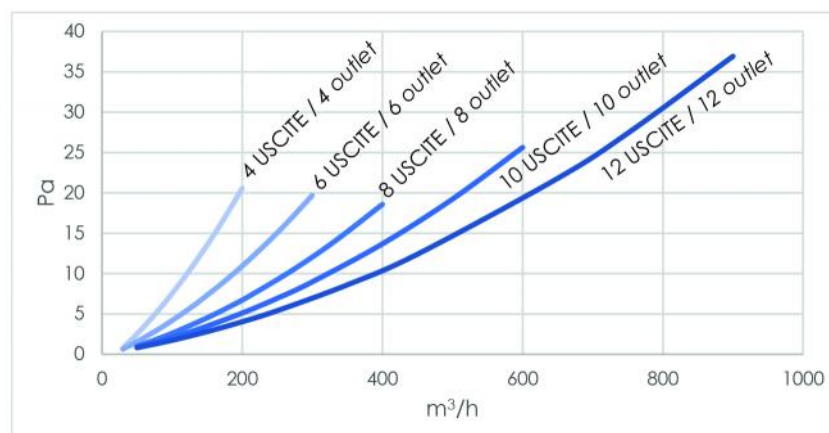
The pre-fitted collars Ø90 (see dimensions table) are complete with calibration dampers that are adjusted using a screwdriver.



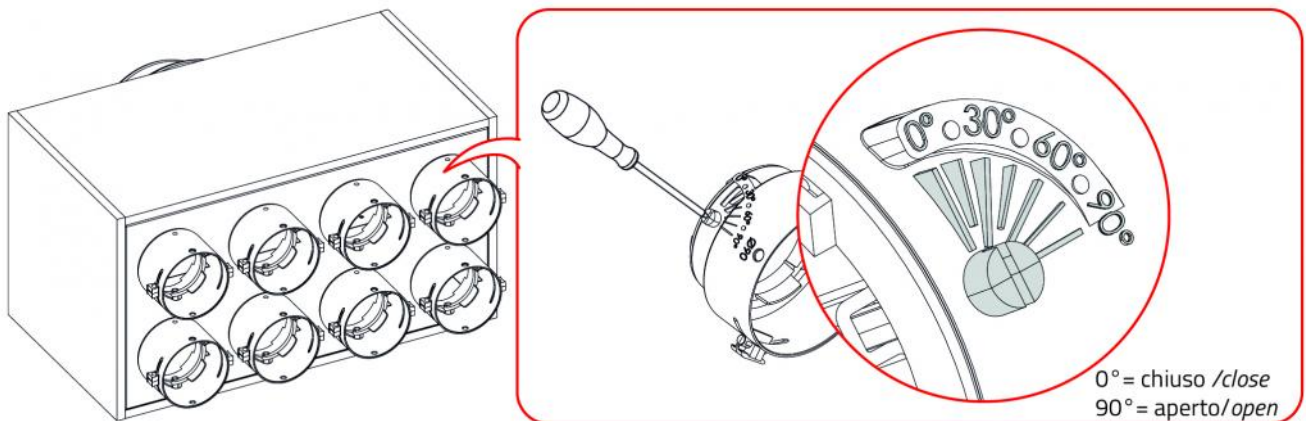
## DIMENSIONS

CODE	A [mm]	B [mm]	C [mm]	INPUT Ø [mm]	No.of OUTLETS - Ø [mm]
ACD600114	230	240	250	150 / 200	4 - 90
ACD600115	350	240	250	150 / 200	6 - 90
ACD600116	465	240	250	150 / 200	8 - 90
ACD600117	580	240	250	150 / 200	10 - 90
ACD600118	700	240	250	150 / 200	12 - 90
ACD600119	230	240	250	100 / 125 / 150	4 - 90
ACD600120	350	240	250	100 / 125 / 150	6 - 90

## LOAD LOSS DIAGRAM



## DAMPER ADJUSTMENT



## ITEMS

CODE	DESCRIPTION
ACD600114	PLÉNUM FOR FLEXIBLE CORRUGATED PIPE Ø90 4 OUTLETS Ø150/200
ACD600115	PLÉNUM FOR FLEXIBLE CORRUGATED PIPE Ø90 6 OUTLETS Ø150/200
ACD600116	PLÉNUM FOR FLEXIBLE CORRUGATED PIPE Ø90 8 OUTLETS Ø150/200
ACD600117	PLÉNUM FOR FLEXIBLE CORRUGATED PIPE Ø90 10 OUTLETS Ø150/200
ACD600118	PLÉNUM FOR FLEXIBLE CORRUGATED PIPE Ø90 12 OUTLETS Ø150/200
ACD600119	PLÉNUM FOR FLEXIBLE CORRUGATED PIPE Ø90 4 OUTLETS Ø100/125/150
ACD600120	PLÉNUM FOR FLEXIBLE CORRUGATED PIPE Ø90 6 OUTLETS Ø100/125/150

All rights relating to this publication are the exclusive property of Tecnosystemi SpA.  
Tecnosystemi SpA reserves the right to make changes at any time and without notice, for technical or commercial needs.