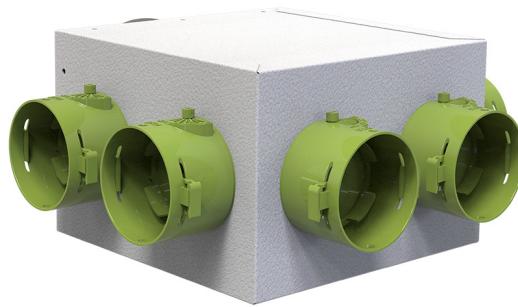


Insulated distribution plenum H160 for MVHR for flexible ducted hose 6 - 8 outlets Ø75 and Ø90 with sleeves complete with calibration damper with adjustment

- cod. ACD600158 - cod. ACD600159 - cod. ACD600160
- cod. ACD600161



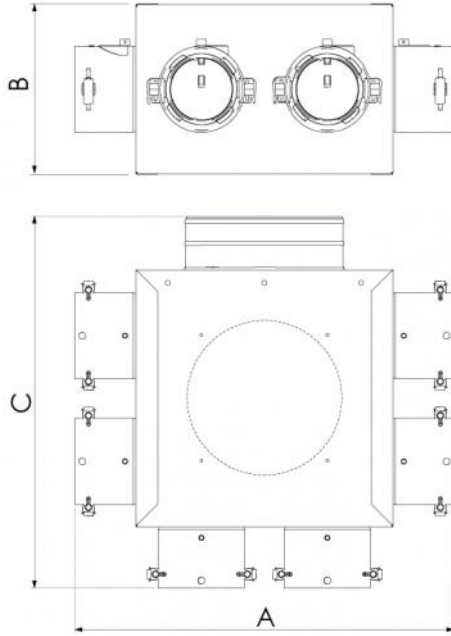
DESCRIPTION

Distribution plenum for MVHR made of galvanised metal sheet and insulated externally with polyethylene (thk. 3 mm), designed for use with flexible ducted pipes.

The reduced height allows installation in confined spaces (e.g. false ceilings).

The plenum is equipped with an inlet collar for Ø150 mm pipes (not mounted) and 6 or 8 pre-mounted Ø75 or Ø90 outlet collars complete with damper.

It is equipped with two pre-drilled Ø150 inlets to be perforated as required.



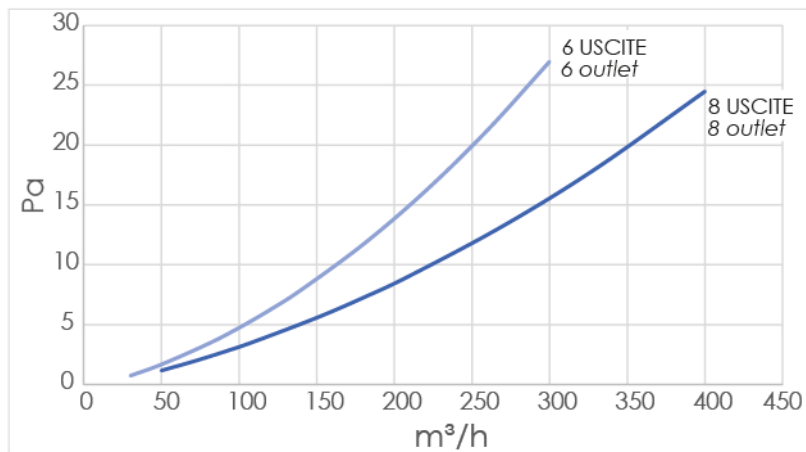
DIMENSIONS

CODE	A	B	C	Weight
ACD600158	355	160	350	1.5
ACD600159	595	160	350	2.5
ACD600160	365	160	355	1.5
ACD600161	605	160	355	2.5

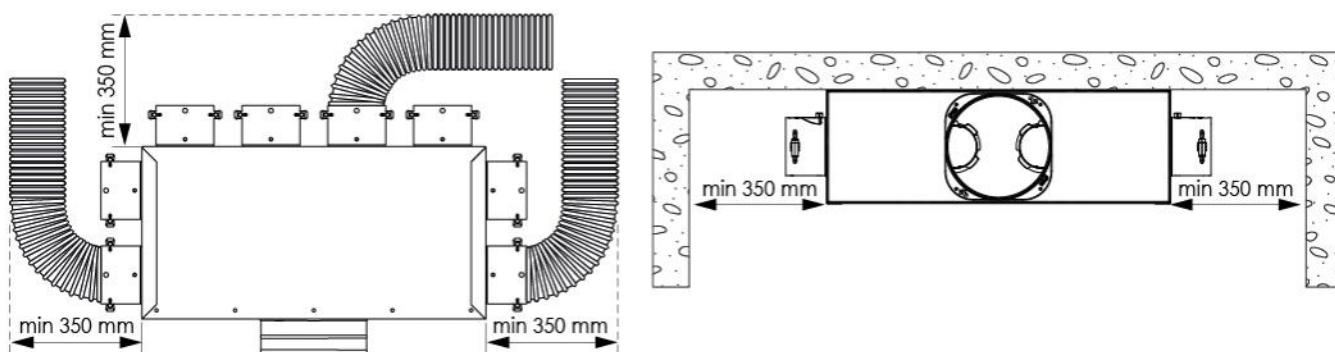
TECHNICAL SPECIFICATIONS

	ACD600158	ACD600159	ACD600160	ACD600161
Material	galvanised metal sheet			
Insulation material	polyethylene thk. 3mm			
IN connection	Ø 150			
OUT connection	7 - Ø75	9 - Ø75	7 - Ø90	9 - Ø90

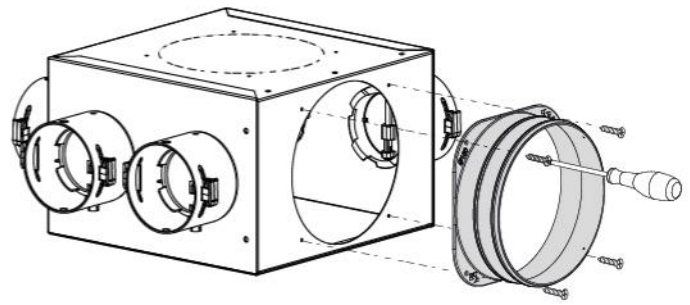
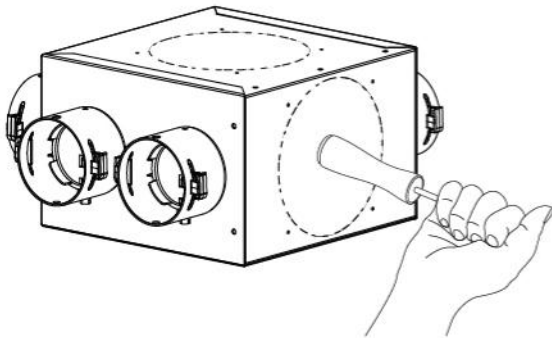
LOAD LOSS DIAGRAM



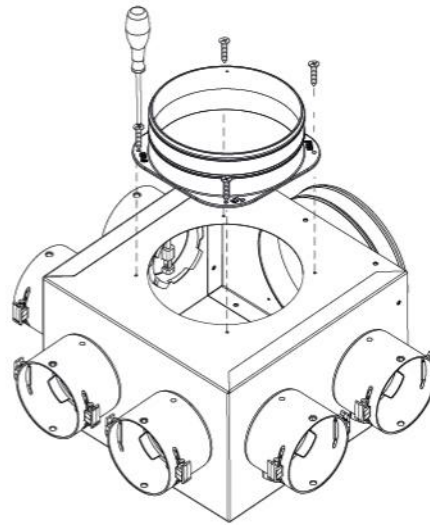
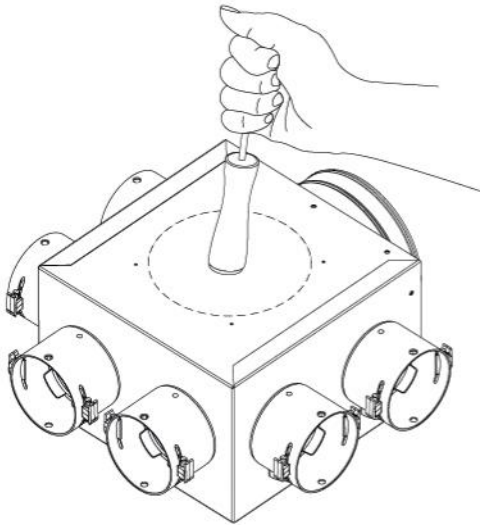
MINIMUM INSTALLATION DIMENSIONS



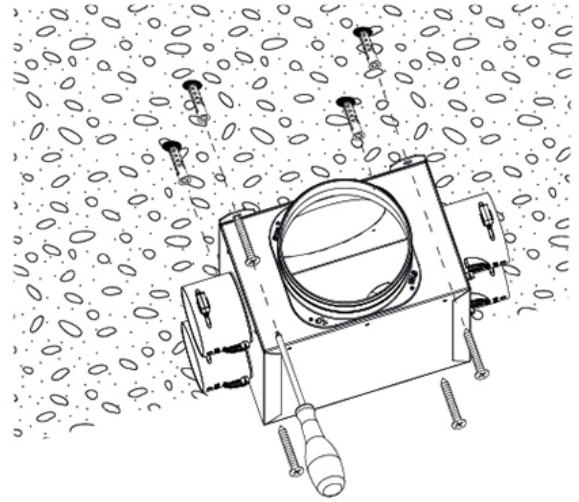
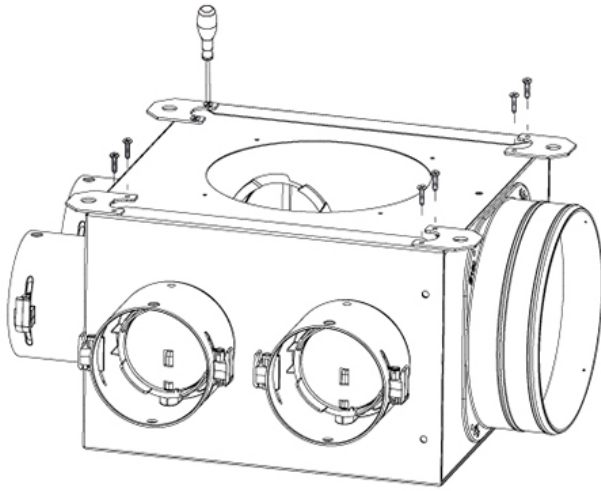
COLLAR ASSEMBLY



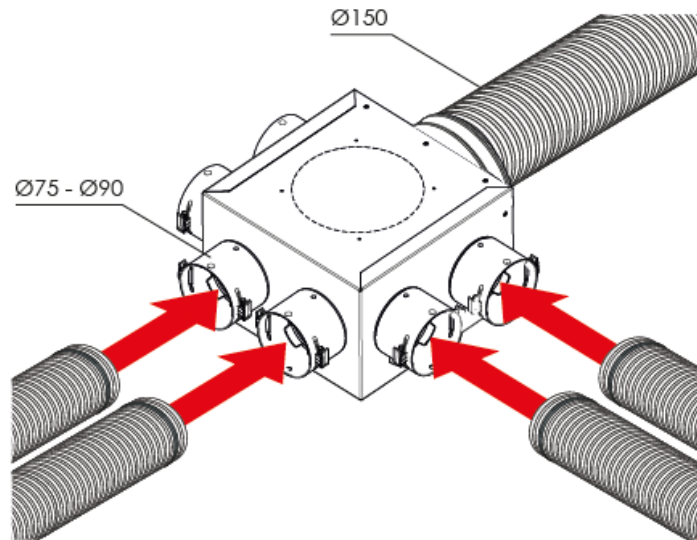
ALTERNATIVE APPLICATIONS



EXAMPLE OF ASSEMBLY



EXAMPLE OF PIPE CONNECTION



ITEMS

CODE	DESCRIPTION
ACD600158	PLÉNUM - 6 OUTLETS $\varnothing 75$ - INLET $\varnothing 150$
ACD600159	PLÉNUM - 8 OUTLETS $\varnothing 75$ - INLET $\varnothing 150$
ACD600160	PLÉNUM - 6 OUTLETS $\varnothing 90$ - INLET $\varnothing 150$
ACD600161	PLÉNUM - 8 OUTLETS $\varnothing 90$ - INLET $\varnothing 150$

All rights relating to this publication are the exclusive property of Tecnosystemi SpA.
 Tecnosystemi SpA reserves the right to make changes at any time and without notice, for technical or commercial needs.