

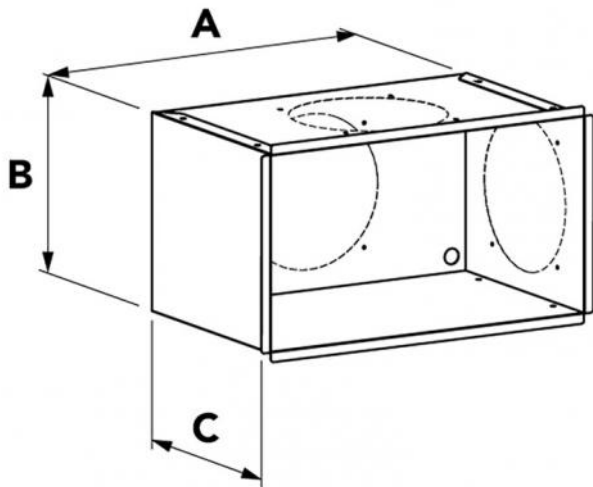
Insulated plenum prepared for 3 inputs

- cod. PWD100003 - cod. PWD100004 - cod. PWD100006
- cod. PWD100009 - cod. PWD400080 - cod. PWD400081
- cod. PWD100005 - cod. PWD100001 - cod. PWD100010
- cod. PWD400222 - cod. PWD100007 - cod. PWD100008
- cod. PWD100002 - cod. PWD400311



TECHNICAL SPECIFICATIONS:

- Made of galvanized metal sheet
- Closed-cell polyethylene outer coating
- Pre-cut holes (upper, lower, side)
- Collar for hose coupling supplied (in table list of possible combinations).



DIMENSIONS:

CODE	GRILLE DIMENSIONS [mm]	EXTERNAL DIMENSIONS PLENUM A x B [mm]	PLENUM DEPTH C [mm]	PRE-CUTTING HOLE SIZE [mm]	REAR COLLAR MODEL	UPPER / LOWER COLLAR MODEL	SIDE COLLAR MODEL (R-L)
PWD100003	236 x 136	210 x 110	205	150	C3 OVAL Ø 125-150		
PWD100004	336 x 136	310 x 110	205	150	C3 OVAL Ø 125-150		
PWD100006	436 x 136	410 x 110	205	150	C3 OVAL Ø 125-150		
PWD100009	536 x 136	510 x 110	205	150	C3 OVAL Ø 125-150		
PWD400080	636 x 136	610 x 110	205	150	C3 OVAL Ø 125-150		
PWD400081	1036 x 136	1010 x 110	205	150	C3 OVAL Ø 125-150		
PWD100005	336 x 186	310 x 160	205	150	E5 Ø 150	E5 Ø150	E5 Ø 150
PWD100001	436 x 186	410 x 160	205	150	E5 Ø 151	E5 Ø150	E5 Ø 150
PWD100010	536 x 186	510 x 160	205	150	N°2 x E5 Ø 150	No.2 x E5 Ø150	E5 Ø 150
PWD400222	1036 x 186	1010 x 110	205	150	N°2 x E5 Ø 150	No.2 x E5 Ø150	E5 Ø 150
PWD100007	336 x 236	310 x 210	205	200	B2 Ø 150-200	B2 Ø150-200	B2 Ø 150-200
PWD100008	436 x 186	410 x 210	205	200	B2 Ø 150-200	B2 Ø150-200	B2 Ø 150-200
PWD100002	536 x 186	510 x 210	205	200	No.2 x B2 Ø150-200		B2 Ø 150-200
PWD400311	536 x 236	510 x 310	205	200	No.2 x B2 Ø150-200		B2 Ø 150-200

ITEMS

CODE	DESCRIPTION
PWD100003	PLÉNUM WITH 3 INPUTS - COLLAR PROVIDED MOD. C3 Ø125-150 - 232x132
PWD100004	PLÉNUM WITH 3 INPUTS - COLLAR PROVIDED MOD. C3 Ø125-150 - 300x100
PWD100006	PLÉNUM WITH 3 INPUTS - COLLAR PROVIDED MOD. C3 Ø125-150 - 432x132
PWD100009	PLÉNUM WITH 3 INPUTS - COLLAR PROVIDED MOD. C3 Ø125-150 - 532x132
PWD400080	PLÉNUM WITH 3 INLETS FOR COLLARS MOD. C3 Ø125-150 - 632x132
PWD400081	PLÉNUM WITH 3 INLETS FOR COLLARS MOD. C3 Ø125-150 - 1032x132
PWD100005	PLÉNUM WITH 3 INPUTS - COLLAR PROVIDED MOD. E5 Ø150 - 332x182
PWD100001	PLÉNUM WITH 3 INPUTS - COLLAR PROVIDED MOD. E5 Ø150 - 432x182
PWD100010	PLÉNUM WITH 3 INPUTS - COLLAR PROVIDED MOD. E5 Ø150 - 532x182
PWD400222	PLÉNUM FOR 3 INPUTS SET UP FOR COLLARS MOD. E5 Ø150 - 1032x182
PWD100007	PLÉNUM WITH 3 INPUTS - COLLAR PROVIDED MOD. B2 Ø150-200 - 332x232
PWD100008	PLÉNUM WITH 3 INPUTS - COLLAR PROVIDED MOD. B2 Ø150-200 - 432x232
PWD100002	PLÉNUM WITH 3 INPUTS - COLLAR PROVIDED MOD. B2 Ø150-200 - 532x232
PWD400311	PLÉNUM FOR 3 INPUTS SET UP FOR COLLARS MOD. B2 Ø150-200- 532x332

All rights relating to this publication are the exclusive property of Tecnosystemi SpA.
 Tecnosystemi SpA reserves the right to make changes at any time and without notice, for technical or commercial needs.