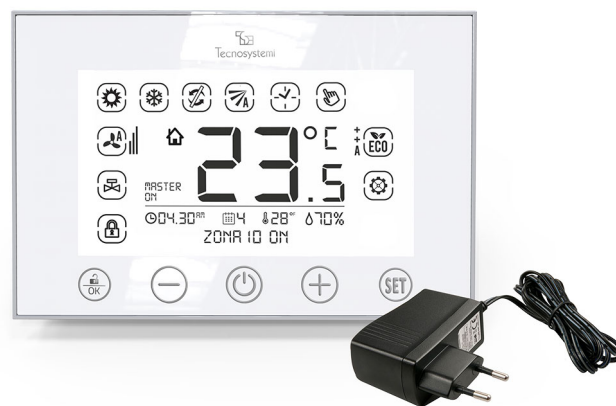


ALTAIR POINT

built-in wired programmable chrono-thermostat with touch
STEALTH 3X

- cod. 11181454



DESCRIPTION

The chrono-thermostat “Stealth 3X” for “Altair Point” is applied, using the screws and the template supplied, inside the traditional recessed boxes type E503.

The programmable thermostat allows you to perform quick operations for the management of the zone, adjusting the temperature through the air flow out of the dampers or motorised grilles.

The dialogue data and the power supply to the damper or grille is via an 8-wire telephone cable with an 8-pole RJ45 plug connection.

Attention! It is not possible with the same thermostat to check the grilles and dampers at the same time.

FUNCTIONS

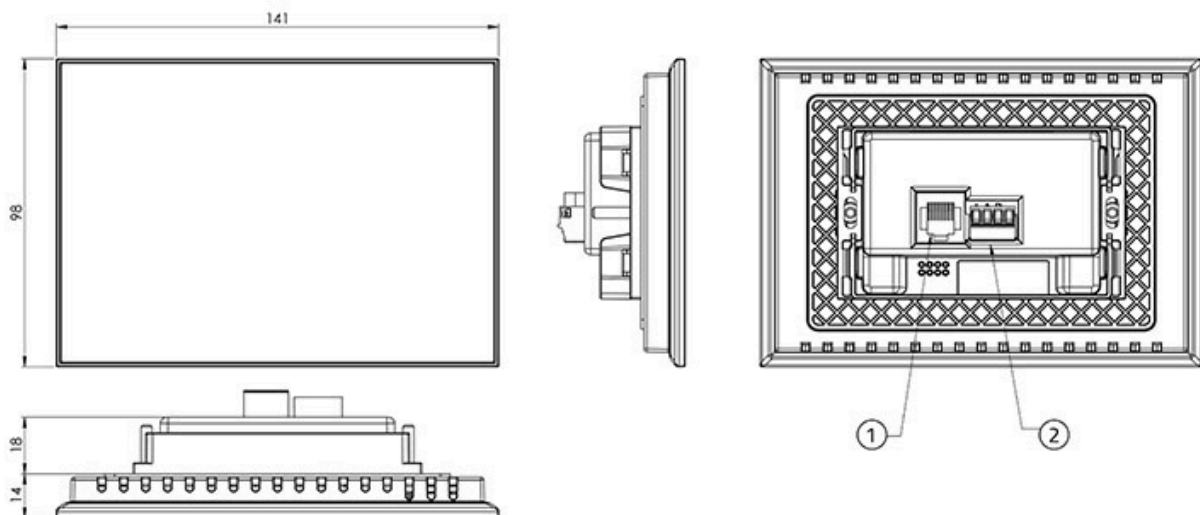
- Touch keypad and backlit display
- Timed or manual features
- Automatic or manual opening adjustment of damper and grille
- Key lock
- Temperature scale °C / °F
- RH display in %
- Room temperature and set point value
- Clock (AM - PM / 24h)
- Weekly and monthly programming
- Protrusion from flush wall 15 mm
- Ducted set point adjustment (if present in the system)
- Fan coil or ducted speed adjustment.

- The built-in power supply is available on request

TECHNICAL SPECIFICATIONS

TECHNICAL SPECIFICATIONS	
Power supply:	8-pin shielded and twisted cable or RJ45
Protection rating:	IP30
Operating temperature:	0° C ÷ +40° C
Storage temperature:	-10° C ÷ +50° C
Operating humidity:	20% ÷ 80% RH
Temperature control setpoint:	10° C ÷ 35° C
Measured temperature resolution:	0.1° C
Weight:	180 g
Body material:	ABS white
Front material:	white PMMA

DIMENSIONS



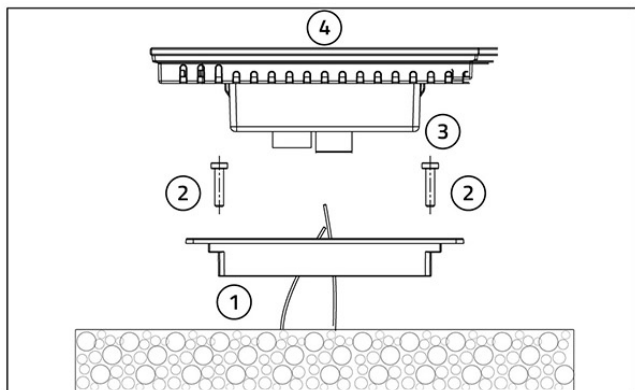
- [1] RJ45 connector
 [2] Polarised 4-pin connector

FIXING

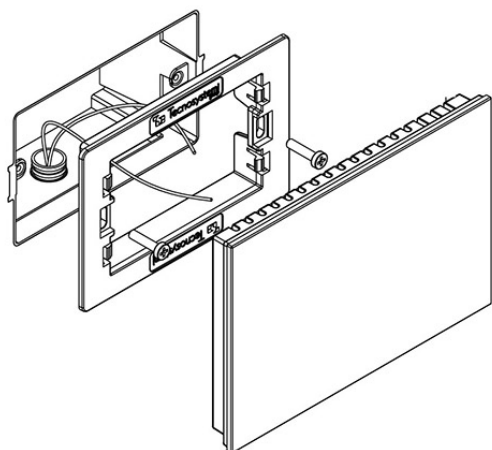
The mounting of the built-in chronothermostat on E503 type boxes by means of adaptor, screws and fixing plugs supplied.

It is applied using the screws and the template supplied, inside the traditional electric built-in boxes type E503.

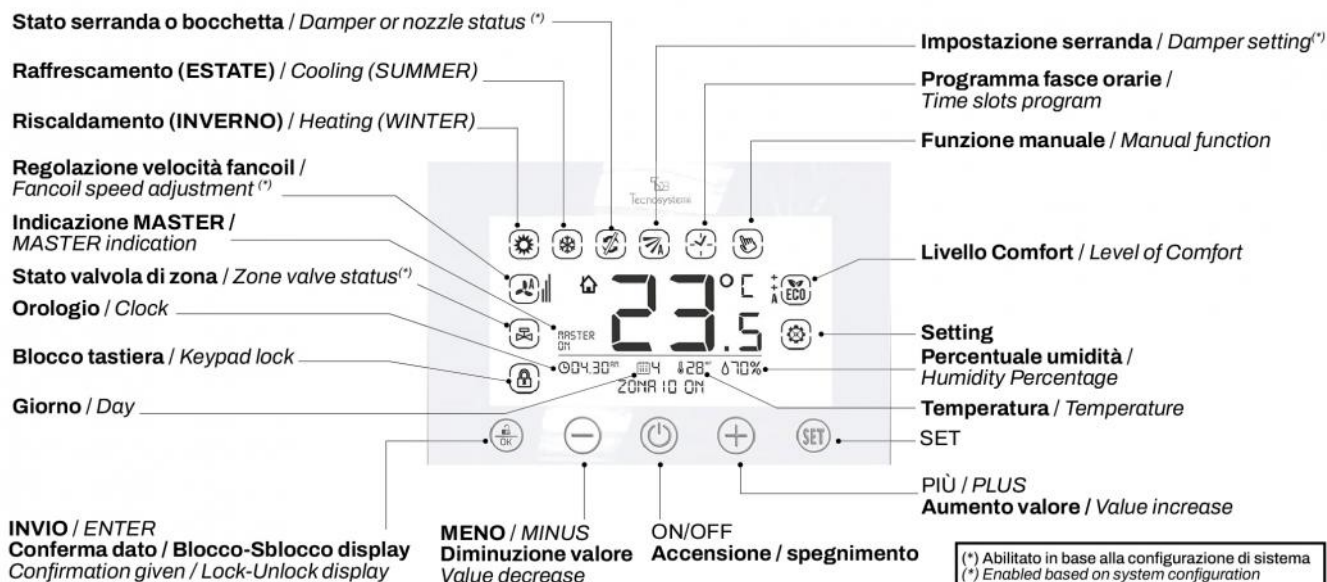
The power supply of the programmable thermostat and the transmission of data with the control unit are carried out by means of 4-pole wired bus type wiring.



- [1] Adapter for box E503
- [2] Screw
- [3] Connector
- [4] Timed thermostat



DISPLAY



Stato serranda o bocchetta / Damper or nozzle status (*)

Raffrescamento (ESTATE) / Cooling (SUMMER)

Riscaldamento (INVERNO) / Heating (WINTER)

Regolazione velocità fancoil / Fancoil speed adjustment (*)

Indicazione MASTER / MASTER indication

Stato valvola di zona / Zone valve status (*)

Orologio / Clock

Blocco tastiera / Keypad lock

Giorno / Day

INVIO / ENTER
Conferma dato / Blocco-Sblocco display
Confirmation given / Lock-Unlock display

MENO / MINUS
Diminuzione valore
Value decrease

ON/OFF
Accensione / spegnimento

Impostazione serranda / Damper setting (*)

Programma fasce orarie / Time slots program

Funzione manuale / Manual function

Livello Comfort / Level of Comfort

Setting

Percentuale umidità / Humidity Percentage

Temperatura / Temperature

SET

PIÙ / PLUS
Aumento valore / Value increase

(*) Abilitato in base alla configurazione di sistema
(*) Enabled based on system configuration

ITEMS

CODE	DESCRIPTION
11181454	LUMIX WHITE, BUILT-IN, CABLED, PROGRAMMABLE THERMOSTAT - "STEALTH 2X - POINT"

All rights relating to this publication are the exclusive property of Tecnosystemi SpA.
Tecnosystemi SpA reserves the right to make changes at any time and without notice, for technical or commercial needs.