

SIRIO 0.10V

motorised butterfly damper in plastic material

- cod. GAD300014 - cod. GAD300015 - cod. GAD300016
- cod. GAD300017 - cod. GAD300018



DESCRIPTION

The "Sirio 0.10V" system allows the management of the temperature or air flow for each room, without the aid of any control unit or a particular command.

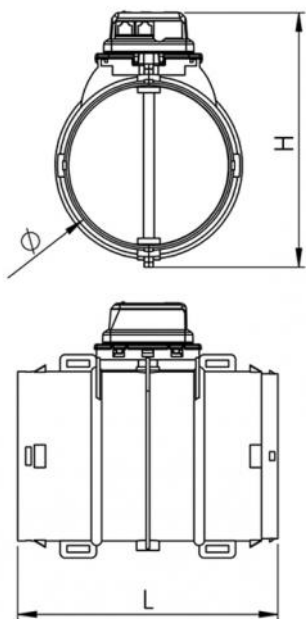
The motorised circular damper integrates perfectly with new and existing ducted systems in which it is necessary to manage only part of the ducted system: this solution does not require the installation of any system that manages the switching on/off of the internal unit or the movement of the motorised Bypass.

It allows the management of the air flow in the individual rooms by applying a 0-10V regulator (easily available on the market) to each single "Sirio 0.10V" damper present in the system: to manage the switching on and off of the ducted units, just use the on/off output auxiliary contacts.

The throttle of the "Sirio 0.10V" damper can be controlled at selected intervals, from min 0° (0V, throttle closed) to max 90° (10V, throttle open): with the throttle closed, the on-off contact in output will be open.

TECHNICAL SPECIFICATIONS:

- Anti-condensation ABS plastic
- Built-in power supply included
- OUT contact: ON/OFF (closed, butterfly valve open) (open, butterfly valve closed)
- Input: 0-10V (regulator not supplied and not listed in the catalogue)
- Operating temperature 0°C A +70°C
- Available in 5Ø

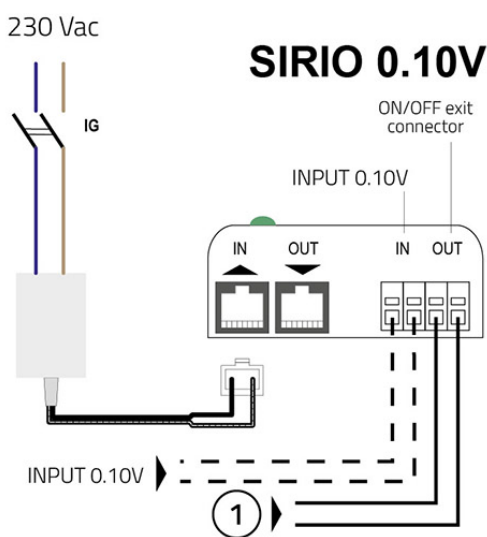


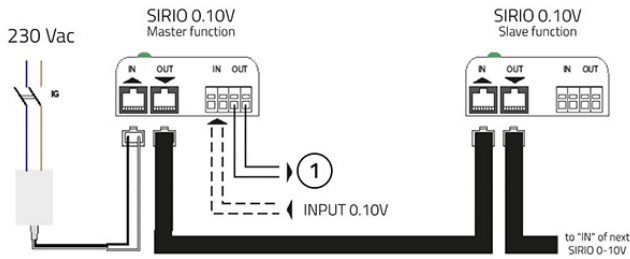
DIMENSIONS

CODE	H [mm]	L [mm]	Ø [mm]	MAX AIR FLOW RATE [m³/h]
GAD300014	230	315	100	152
GAD300015	230		150	388
GAD300016	280	250	200	678
GAD300017	330	280	250	1060
GAD300018	380	350	300	1526

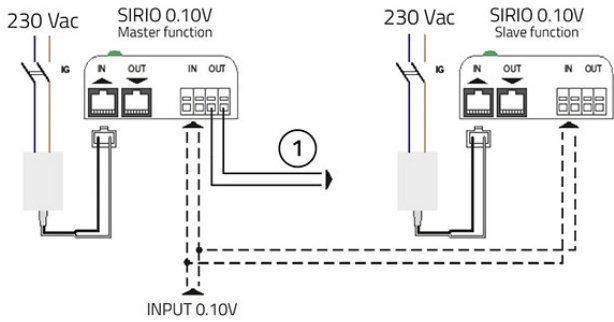
WIRING DIAGRAMS SIRIO 0.10V

[1] Close with damper open, open with damper closed





[1] Close with damper open, open with damper closed



[1] Close with damper open, open with damper closed

ITEMS

CODE	DESCRIPTION
GAD300014	MOTORISED CIRCULAR DAMPER SIRIO 0.10V - Ø 100
GAD300015	MOTORISED CIRCULAR DAMPER SIRIO 0.10V - Ø 150
GAD300016	MOTORISED CIRCULAR DAMPER SIRIO 0.10V - Ø 200
GAD300017	MOTORISED CIRCULAR DAMPER SIRIO 0.10V - Ø 250
GAD300018	MOTORISED CIRCULAR DAMPER SIRIO 0.10V - Ø 300

All rights relating to this publication are the exclusive property of Tecnosystemi SpA.
 Tecnosystemi SpA reserves the right to make changes at any time and without notice, for technical or commercial needs.