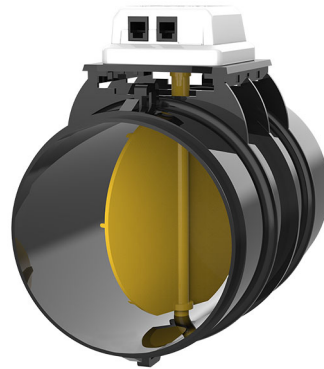


SIRIO 2.0 POINT

motorised butterfly damper in plastic material

- cod. GAD300001 - cod. GAD300002 - cod. GAD300003
- cod. GAD300004 - cod. GAD300005 - cod. GAD300007
- cod. GAD300008 - cod. GAD300009 - cod. GAD300010
- cod. GAD300011



DESCRIPTION

The "Sirio 2.0 Point" system allows the management of the temperature or air flow for each room, without the aid of any control unit or a particular command.

The motorised circular damper integrates perfectly with new and existing ducted systems in which it is necessary to manage only part of the ducted system: this solution does not require the installation of any system that manages the switching on/off of the internal unit or the movement of the motorised Bypass.

It therefore allows management of the air flow in the individual rooms without the aid of an electronic control unit for operation.

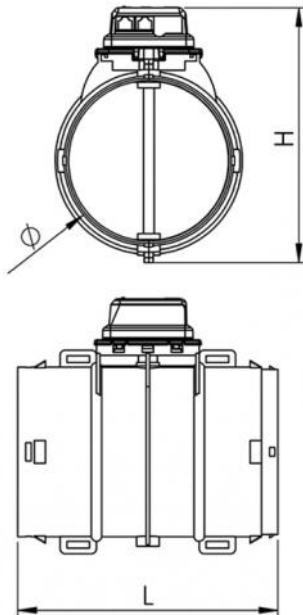
It is equipped with auxiliary ON/OFF input and output contacts.

It can be controlled by thermostats, ON/OFF switches or integration with home automation system by means of clean contact.

DS_TECHNICAL SPECIFICATIONS:

- Anti-condensation ABS plastic
- Auxiliary IN/OUT contact
- Power supply: 230 V
- Power supply included ("MASTER" version)
- "SLAVE" version without power supply
- Opening butterfly ON / OFF
- Operating temperature 0°C A +70°C
- Max conveyance length 25 m

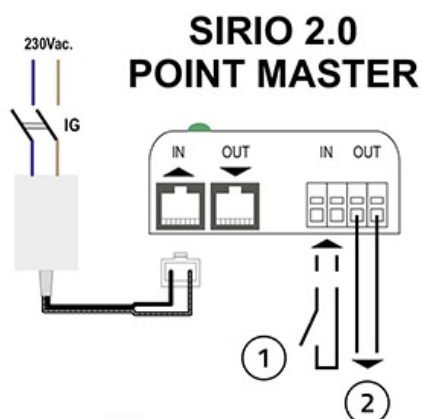
- A maximum of 8 dampers can be installed in ducting
- SIRIO 2.0 PACK system installed on plenum available on request



DIMENSIONS

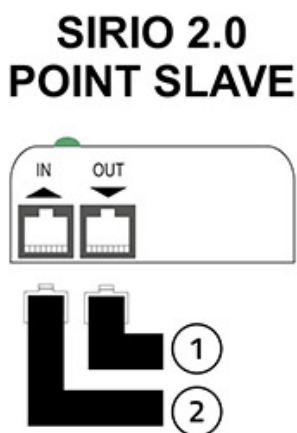
CODE	H [mm]	L [mm]	Ø [mm]	MAX AIR FLOW RATE [m³/h]
GAD300001	230	315	100	152
GAD300002	230		150	388
GAD300003	280	250	200	678
GAD300004	330	280	250	1060
GAD300005	380	350	300	1526
GAD300007	230	315	100	152
GAD300008	230		150	388
GAD300009	280	250	200	678
GAD300010	330	280	250	1060
GAD300011	380	350	300	1526

WIRING DIAGRAM SIRIO 2.0 POINT MASTER



- [1] Contact closed: opens the damper; contact open: closes the damper
- [2] Closes at the opening of the damper; opens at the closing of the damper

WIRING DIAGRAM SIRIO 2.0 POINT SLAVE



- [1] "IN" cable of the "Sirio 2.0 Slave"
- [2] "OUT" cable of the "Sirio 2.0 Slave"

ITEMS

CODE	DESCRIPTION
GAD300001	ELECTRIC BUTTERFLY "SIRIO 2.0" - Ø 100 - MASTER
GAD300002	ELECTRIC BUTTERFLY "SIRIO 2.0" - Ø 150- MASTER
GAD300003	ELECTRIC BUTTERFLY "SIRIO 2.0" - Ø 200- MASTER
GAD300004	ELECTRIC BUTTERFLY "SIRIO 2.0" - Ø 250- MASTER
GAD300005	ELECTRIC BUTTERFLY "SIRIO 2.0" - Ø 300- MASTER
GAD300007	ELECTRIC BUTTERFLY "SIRIO 2.0" - Ø 100 - SLAVE
GAD300008	ELECTRIC BUTTERFLY "SIRIO 2.0" - Ø 150- SLAVE
GAD300009	ELECTRIC BUTTERFLY "SIRIO 2.0" - Ø 200- SLAVE
GAD300010	ELECTRIC BUTTERFLY "SIRIO 2.0" - Ø 250- SLAVE
GAD300011	ELECTRIC BUTTERFLY "SIRIO 2.0" - Ø 300- SLAVE

All rights relating to this publication are the exclusive property of Tecnosystemi SpA.
 Tecnosystemi SpA reserves the right to make changes at any time and without notice, for technical or commercial needs.