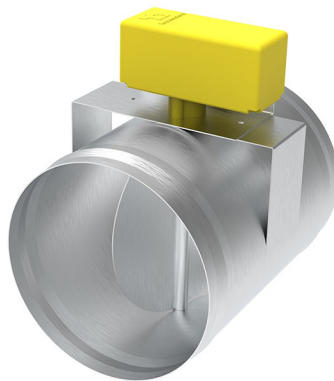


# SIRIO POINT

motorised butterfly damper

- cod. 11161854 - cod. 11161855 - cod. 11161856  
- cod. 11161857 - cod. C11161863



## DESCRIPTION

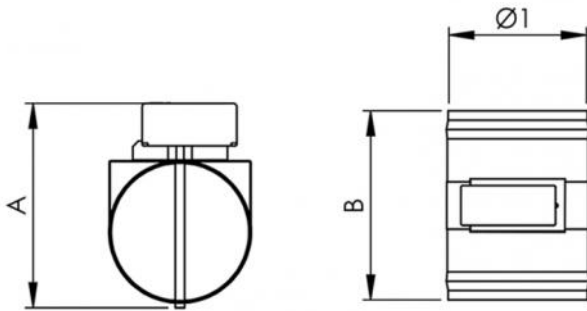
The “Sirio” throttle dampers have an end-of-stroke micro contact, which indicates the opening and closing position of the throttle with a clean ON/OFF contact.

It integrates perfectly into new and existing ducted systems in which it is intended to manage only a part of the ducted system.

## TECHNICAL SPECIFICATIONS:

- Made from galvanised metal
- Butterfly opening from 0 to 90°
- Operating temperature 0°C to +70°C
- Includes motor (230 V power supply)
- Option of management by means of: wall/built-in regulator, with deflector, with thermostats.

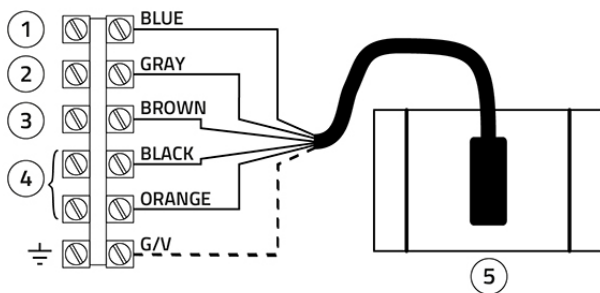
- Built-in or wall-mounted regulator (ideal for adjusting the air flow)
- From any commercially available room timed thermostat (ideal for room temperature control)
- From a simple deflector for raising/lowering shutters (ideal for adjusting air flow).



## DIMENSIONS

CODE	A [mm]	B [mm]	Ø1 [mm]
11161854	190	154	120
11161855	220	154	150
11161856	270	154	200
11161857	320	154	250

## WIRING CONNECTION DIAGRAM



- [1] N - Common
- [2] F - 230 VAC Close
- [3] F- 230 VAC Close
- [4] Output contact clean
- [5] Damper

**ITEMS**

CODE	DESCRIPTION
11161854	MOTORISED BUTTERFLY DAMPER FOR "SIRIO POINT" SYSTEM- Ø120"
11161855	MOTORISED BUTTERFLY DAMPER FOR "SIRIO POINT" SYSTEM- Ø150"
11161856	MOTORISED BUTTERFLY DAMPER FOR "SIRIO POINT" SYSTEM- Ø200"
11161857	MOTORISED BUTTERFLY DAMPER FOR "SIRIO POINT" SYSTEM- Ø250"
C11161863	SERVO MOTOR FOR MOTORISED DAMPERS.

All rights relating to this publication are the exclusive property of Tecnosystemi SpA.  
 Tecnosystemi SpA reserves the right to make changes at any time and without notice, for technical or commercial needs.